

# User manual

## Getting started with the DA1458x Development Kit – Pro

**UM-B-049**

### **Abstract**

*This document describes the Bluetooth Smart Development Kit - Pro based on DA14580/581/583/585/586. It helps users to set up the hardware development environment, install required software and quickly start product development with help of example source code on SDK v5.x and SDKv6.x.*

---

---

## Getting started with the DA1458x Development Kit – Pro

### Contents

<b>Abstract</b> .....	<b>1</b>
<b>Contents</b> .....	<b>2</b>
<b>Tables</b> .....	<b>3</b>
<b>Figures</b> .....	<b>3</b>
<b>1 Terms and definitions</b> .....	<b>5</b>
<b>2 References</b> .....	<b>5</b>
<b>3 Introduction</b> .....	<b>6</b>
3.1 Order content .....	7
3.2 Pro Kit for DA1458x family .....	9
3.2.1 Differences between DA14580, DA14581, DA14583, DA14585 and DA14586 ...	9
3.3 Software Development Tools .....	12
3.3.1 SmartSnippets Introduction .....	12
3.3.2 Installation.....	12
3.3.3 Starting SmartSnippets Studio .....	13
3.4 Setting up your PC .....	14
3.4.1 SmartSnippets Studio .....	14
3.4.2 Tera Term .....	15
3.4.3 Software Development Kit content .....	16
3.5 Pinning .....	20
3.6 DA14585 Pining .....	21
3.7 DA14586 Pining .....	22
3.7.1 PCB design and functionalities .....	23
3.7.2 Configuring the Pro kit-board by jumper settings .....	24
3.7.3 Block diagram .....	26
<b>4 Using the demo kit</b> .....	<b>30</b>
4.1 Run an example on the DA14580/581/583.....	30
<b>Appendix A Layout</b> .....	<b>35</b>
<b>Appendix B Connections of J7 and J8</b> .....	<b>35</b>
<b>Appendix C Schematics Motherboard and Daughterboards</b> .....	<b>36</b>
C.1 Peripherals .....	36
C.2 SPI and serial.....	37
C.3 Current measurement .....	38
C.4 JTAG Interface .....	39
C.5 PCI-e .....	40
C.6 Power supplies .....	41
C.7 USB HUB Controller.....	42
C.8 DA14580 WLCSP Daughter board .....	43
C.9 DA14580 QFN40 Daughterboard .....	44
C.10 DA14580 QFN48 Daughterboard .....	45
C.11 DA14581 WLCSP Daughterboard .....	46
C.12 DA14581 QFN40 Daughterboard .....	47

**Getting started with the DA1458x Development Kit – Pro**

C.13 DA14583 QFN40 Daughterboard .....	48
C.14 DA14585 WLCSP34 Daughterboard (321-3-x) .....	49
C.15 DA14585 QFN40 Daughterboard (321-2-x).....	50
C.16 DA14586 QFN40 Daughterboard (321-2-x).....	51
<b>Appendix D Using the SmartSnippets CLI.....</b>	<b>52</b>
<b>Appendix E Latency Timer of FTDI cable.....</b>	<b>54</b>
<b>Appendix F RF-Testing DEVKT – Pro.....</b>	<b>55</b>
<b>Appendix G Battery connection ‘workaround’ .....</b>	<b>57</b>
<b>Appendix H Power bouncing workaround.....</b>	<b>58</b>
<b>5 Web-Link .....</b>	<b>59</b>
<b>Revision history.....</b>	<b>60</b>

**Tables**

Table 1: Content of the DA14580/581/583 Pro Kit. Ordernumbers are made Bold. ....	8
Table 2: DA14580.....	9
Table 3: DA14581.....	9
Table 4: DA14583.....	10
Table 5: DA14585.....	10
Table 6: DA14586.....	11
Table 7: Installation tools and drivers .....	14
Table 8: SDK Examples .....	17
Table 9: SPI connections.....	20
Table 10: SPI connections.....	22
Table 11: Run an example on DA14580/581/583 .....	30
Table 12: BOM diifferences between DA14585 and DA14586 designs .....	51

**Figures**

Figure 1: Overview of all DEVKT -Pro parts.....	7
Figure 2: SmartSnippets Studio platform .....	12
Figure 3: Dialog for Selecting Workspace.....	13
Figure 4: SDK tools installer .....	13
Figure 5: DA14580 Target selection.....	17
Figure 6: da14585 Target selection.....	18
Figure 7: DA14580 USB selection.....	18
Figure 8: DA14585 USB selection.....	18
Figure 9: QFN40 pin assignment from datasheet .....	20
Figure 10: DA14585 - QFN40 pin assignment .....	21
Figure 11: DA14586 - QFN40 pin assignment .....	22
Figure 12: MotherBoard of Development Kit – Pro (PCB topview) .....	23
Figure 13: DA14580/581/583 (Fabrication default) UART boot settings (T_TxD : (P0_5) and T_RxD : (P0_4)).....	24
Figure 14: DA14580/581 Boot from external SPI memory.....	24
Figure 15: DA14583 Boot from internal SPI memory.....	25
Figure 16: Layout of headers J5 and J6.....	25
Figure 17: UART Data Direction of Uart within J5.....	25
Figure 18: Block diagram of total systemMemory and tools .....	27
Figure 19: DA14580/581/583 block diagram.....	28

## Getting started with the DA1458x Development Kit – Pro

Figure 20: DA14585/586 block diagram .....	29
Figure 21: Board layout .....	35
Figure 22: IO breakout available on QFN40 and QFN48 .....	35
Figure 23: IO breakout available on QFN48.....	35
Figure 24: Peripherals schematic of Motherboard .....	36
Figure 25: SPI and serial schematic of Motherboard .....	37
Figure 26: Current measurement schematic of Motherboard .....	38
Figure 27: JTAG interface schematic of Motherboard .....	39
Figure 28: PCI-e schematic of Motherboard .....	40
Figure 29: Power supplies schematics of Motherboard .....	41
Figure 30: USB HUB controller schematic of Motherboard.....	42
Figure 31: DA14580 WLCSP Daughter board .....	43
Figure 32: DA14580 QFN40 Daughterboard.....	44
Figure 33: DA14580 QFN48 Daughterboard.....	45
Figure 34: DA14581 WLCSP Daughterboard .....	46
Figure 35: DA14581 QFN40 Daughterboard.....	47
Figure 36: DA14583 QFN40 Daughterboard.....	48
Figure 37: DA14585 WLCSP34 Daughterboard .....	49
Figure 38: DA14585 QFN40 Daughterboard.....	50
Figure 39: DA14586 QFN40 Daughterboard.....	51
Figure 40: SmartSnippets HELP .....	52
Figure 41: Open the CLI of SmartSnippets .....	52
Figure 42: Smart snippet CMD window .....	53
Figure 43: FTDI Latency Timer .....	54
Figure 44: Reset circuitry. R84 to be dismantled. ....	57
Figure 45: Location of R84 .....	57
Figure 46: PRO-Motherboard power jumper .....	58
Figure 47: DA14585/6 QFN40 Daughterboard (321-10-x).....	59

---

## Getting started with the DA1458x Development Kit – Pro

---

### 1 Terms and definitions

BLE	Bluetooth Low Energy
CS	Chip Select
DK	Development Kit
EEPROM	Electrically Erasable Programmable Memory
FTDI	Brand name of USB – UART interface
GPIO	General Purpose Input Output
OTP	One Time Programmable
PCB	printed circuit board
QFN	Quad-Flat No-leads
SDK	Software Development Kit
SPI	Serial Peripheral Interface
SRAM	Static Random Access Memory
SWD	Serial Wire Debug
USB	Universal Serial Bus
UART	Universal Asynchronous Receiver/Transceiver
WLCSP	Wafer Level Chip Scale Packaging
WoW	Way of Working

### 2 References

1. DA14580, Datasheet, Dialog Semiconductor
2. DA14581, Datasheet, Dialog Semiconductor
3. DA14583, Datasheet, Dialog Semiconductor
4. DA14585, Datasheet, Dialog Semiconductor
5. DA14586, Datasheet, Dialog Semiconductor
6. DA14580\_CB\_PXI\_QFN40 layout, Dialog Semiconductor
7. DA14580\_CB\_PXI\_QFNP40, Dialog Semiconductor
8. DA14580\_CB\_PXI\_WLCSP, Dialog Semiconductor
9. DA14580\_CB\_PXI\_WLCSP\_layout, Dialog Semiconductor
10. DA14580\_MB\_VB\_layout, Dialog Semiconductor
11. DA14580\_CB\_PXI\_QFN48, Dialog Semiconductor AN-B-015, DA14580 Supply current measurement, Dialog Semiconductor
12. UM-B-012, DA14580 Creation of a secondary boot loader, User manual, Dialog Semiconductor
13. UM-B-0051, DA1458x Software Platform Reference v1.0

---

## Getting started with the DA1458x Development Kit – Pro

### 3 Introduction

The DA1458x is a family of Bluetooth Smart SoC devices, are working at extremely low power levels while providing world-class RF performance, in a small footprint and flexible peripheral configurations for a wide range of applications. The development kit includes a set of hardware (e.g. a development board with on-board debugger), and is supported by a Software Development Kit (SDK) (i.e. development toolchain, source code examples documents and so on) along with documentation.

The mother board can be used to program all the different daughter boards (DA14580/581/583/585/586).

This document helps users to set up hardware/software development environment, by installing the required software to the developer's PC, connecting and setting up the development board to it and quickly start product development with the help of example source code.

Web content can be downloaded at:  
[www.dialog-semiconductor.com/support](http://www.dialog-semiconductor.com/support).

Product information about the DA14580/581/583/585/586 can be found at:  
<http://www.dialog-semiconductor.com/products/bluetooth-smart>

Product information about the DA14580/581/583/585/586 Development Kit - Pro can be found at:  
<http://www.dialog-semiconductor.com/products/bluetooth-smart/smartbond-development-tools/da14580-development-kit-pro>

## Getting started with the DA1458x Development Kit – Pro

### 3.1 Order content

In [Figure 1](#) the kit components are shown and contains an overview the parts.

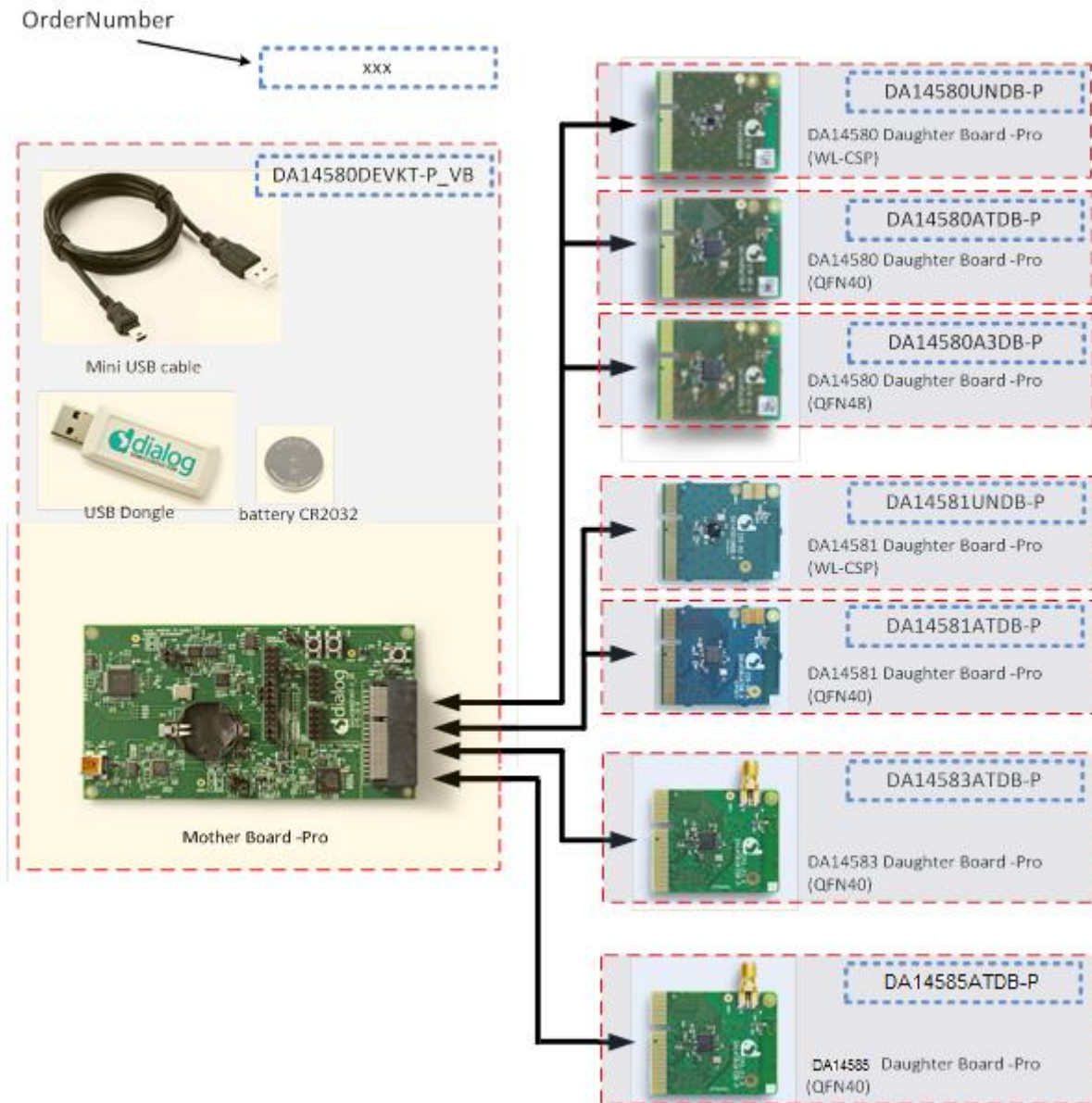


Figure 1: Overview of all DEVKT -Pro parts

**Remark** on [Figure 1](#).: ordernumbers are to be added in dashedlined blocks

## Getting started with the DA1458x Development Kit – Pro

Table 1: Content of the DA14580/581/583 Pro Kit. Order numbers are made Bold.

DA14580/581/583 DEVKT – PRO:	Included in the kit	Separate option for the 580 kit*	Separate option for the 581 kit*	Separate option for the 583 kit*
Battery CR2032	X			
Mini USB Cable	X			
<b>DA14580A3DB-P</b> (QFN48)		X		
<b>DA14580ATDB-P</b> (QFN40)		X		
<b>DA14580UNDB-P</b> (WL-CSP)		X		
<b>DA14581UNDB-P</b> (WL-CSP)			X	
<b>DA14581ATDB-P</b> (QFN40)			X	
<b>DA14583ATDB-P</b> (QFN40)				X
<b>DA14580DEVKT-P_VB</b> (Main board)**	X			
USB Dongle	X			
<b>DA14585-00ATDEVKT-P</b> (Main board)**	X			
<b>DA14585-00VVDB-P</b> (WL-CSP)				X
<b>DA14585-00ATDB-P</b> (QFN40)				X
<b>DA14586-00F02ATDB-P</b> (QFN40)				X
<b>DA14586-00VVDB-P</b> (WL-CSP)				X

**Note 1** \* Not included in the kit, must be bought separately.

**Note 2** \*\* The mainboard is compatible with all boards.

### What is needed when ordering parts of the Pro-kit?

**First:** always needed is the **mother board**. This is part of the DA14580/581/583 Pro Kit. Also part of this Pro-kit are the battery, the USB cable and the dongle.

**Second:** what kind of daughter-board should be ordered? This depends on the choice of the microcontroller and package.

In [Table 1](#) all the possibilities are displayed. All the possible daughter boards fit on the mother board.

**Example:** using DA14583

- Battery CR2032 + Mini USB Cable + **mother board** + USB Dongle
- **DA14583ATDB-P** (QFN40) **daughter board**

### How do we order?

Use the numbers in the dashed line blocks of [Figure 1](#) or the Bold numbers in [Table 1](#).

### Where to order?

The Pro-kit parts can be ordered via various distributors:

<http://www.dialog-semiconductor.com/contact-us/distributors-representatives>



## Getting started with the DA1458x Development Kit – Pro

### 3.2 Pro Kit for DA1458x family

Dialog semiconductor DA1458x BLE SoC family consists of DA14580, DA14581, DA14583, DA14585 and DA14586.

#### 3.2.1 Differences between DA14580, DA14581, DA14583, DA14585 and DA14586

The only hardware difference between the daughter boards of the DEVKT-Pro, is the design in of QFN48 (580) and the QFN40 (581, 583, 585 and 586). The silkscreen may have small textual differences.

The DA14581 uses a dedicated ROM which offers optimisations targeting A4WP and HCI.

**Table 2: DA14580**

Product	Memory size	General Purpose I/Os	Package	Key Features	Applications
WLCSP34	ROM 84kBytes OTP 32kBytes RAM 50kBytes	12	2.5x2.5x0.5mm, pitch 0.4mm	Bluetooth 4.0 + 4.1 Cortex M0 application processor Power supply 0.9 - 3.3V  Single pin RF I/O Rich set of analog and digital peripherals	Beacon & Proximity Health & Fitness HID Smart Home
QFN40		24	5x5x0.9mm, pitch 0.4mm		
QFN48		32	6x6x0.9mm, pitch 0.4mm		

**Table 3: DA14581**

Product	Memory size	General Purpose I/Os	Package	Key Features	Applications
WLCSP34	ROM 84kBytes OTP 32kBytes RAM 50kBytes	12	2.5x2.5x0.5mm, pitch 0.4mm	Bluetooth 4.0 + 4.1 Cortex M0 application processor Power supply 0.9 - 3.3V  Single pin RF I/O Rich set of analog and digital peripherals 8 connections Optimized boot time	Wireless charging (A4WP) HCI
QFN40		24	5x5x0.9mm, pitch 0.4mm		

## Getting started with the DA1458x Development Kit – Pro

**Table 4: DA14583**

Product	Memory size	General Purpose I/O's	Package	Key Features	Applications
QFN40	ROM 84kBytes OTP 32kBytes RAM 50kBytes	24	5x5x0.9mm, pitch 0.4mm	Bluetooth 4.0 + 4.1 Cortex M0 application processor Power supply 2.35 - 3.3V Single pin RF I/O Rich set of analog and digital peripherals	Beacon & Proximity Health & Fitness HID Smart Home

- A4WP wireless charging features:
  - Fast boot time for Power Receiving Unit (PRU)
  - 8 connections for Power Transmitting Unit (PTU)
- HCI features:
  - Optimized code for HCI which fits into the OTP
  - This enables customers/modules makers to provide a pre-programmed HCI module

**Remark: DA14583 can run in BUCK mode only!**

The DA14583 is a DA14580 plus SPI Flash Memory of 1Mbit in the same package.

**Table 5: DA14585**

Product	Memory size	General Purpose I/O's	Package	Key Features	Applications
WL-CSP34		14	2.40 mm x 2.66 mm, pitch 0.4mm	<ul style="list-style-type: none"> <li>• Complies with Bluetooth V5.0,</li> <li>• Cortex M0 application processor</li> <li>• Power supply 0.9 - 3.3V with 1.8V cold boot support</li> <li>• Single pin RF I/O</li> <li>• Rich set of analog and digital peripherals</li> <li>• 8 connections</li> <li>Optimized boot time</li> </ul>	Voice-controlled remote controls Beacons (Multi-sensor) Wearable devices: - Fitness trackers - Consumer health Smartwatches Human interface devices: - Keyboard - Mouse Toys, Consumer appliances
QFN40	ROM 128kBytes OTP 64 kBytes RAM 96 kBytes	25	5x5x0.9mm, pitch 0.4mm		

## Getting started with the DA1458x Development Kit – Pro

**Table 6: DA14586**

Product	Memory size	General Purpose IO's	Package	Key Features	Applications
QFN40	Flash 2Mbits (256kBytes) ROM 128kBytes OTP 64 kBytes RAM 96 kBytes	24	5x5x0.9mm, pitch 0.4mm	<ul style="list-style-type: none"> <li>Complies with Bluetooth V5.0,</li> <li>Cortex M0 application processor</li> <li>Power supply 0.9 - 3.3V with 1.8V cold boot support</li> <li>Single pin RF I/O</li> <li>Rich set of analog and digital peripherals</li> <li>8 connections Optimized boot time</li> </ul>	Voice-controlled remote controls  Beacons  (Multi-sensor) Wearable devices: - Fitness trackers - Consumer health  Smartwatches Human interface devices: - Keyboard - Mouse  Toys,  Consumer appliances

The DA14586 is a DA14585 plus SPI Flash Memory of 2Mbit in the same package.

## Getting started with the DA1458x Development Kit – Pro

### 3.3 Software Development Tools

#### 3.3.1 SmartSnippets Introduction



**Figure 2: SmartSnippets Studio platform**

Dialog SmartSnippets Studio™ is a royalty-free software development platform for Smartbond™ devices. It fully supports the DA1468x family of devices.

SmartSnippets Studio™ contains:

- SmartSnippets™ Toolbox: A tool suite covering all software developer needs, including:
  - Power profiling
  - Programming and loading of firmware into SRAM, OTP and Flash
- SmartSnippets™ IDE: Eclipse CDT based IDE pre-configured plugins allowing easy out of the box set-up of build/debug environment
- SmartSnippets™ DA1458x SDK
- SmartSnippets™ Documentation
- RF master which is an implementation of Bluetooth SIG standardized receiver and transmitter HCI commands and additional custom test HCI commands. User can access RF Master by selecting RF Master under the Layout tab of the ribbon menu, which loads RF Master with Log. Alternatively, user can select RF Master tool under Tools tab of the ribbon.

The SmartSnippets™ IDE is supported by an on-board debugger from SEGGER. This offers standard debug capabilities such as single stepping, setting breakpoints, software download and many more. For more details on the debugger capabilities, visit <https://www.segger.com/>.

#### 3.3.2 Installation

The description of the needed steps is presented:

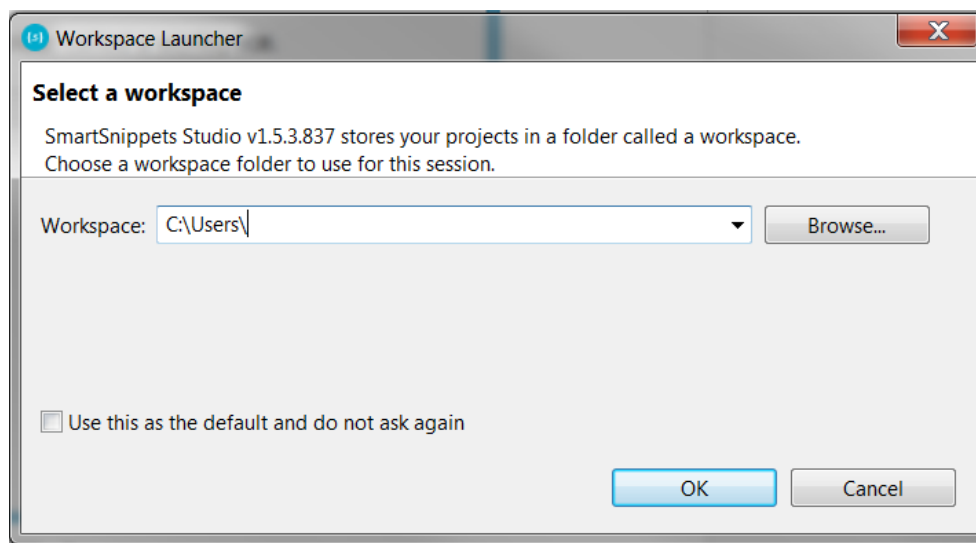
- Download the SmartSnippets tools from the Dialog Support Website: <https://support.dialogsemiconductor.com> (registration required).
- Unzip the zip.
- Run SmartSnippets Studio installer (.msi).
  - Install the recommended version of SEGGER J-Link GDB server.
  - Select the destination folder for the SmartSnippets Studio.
- Run the application.

## Getting started with the DA1458x Development Kit – Pro

### 3.3.3 Starting SmartSnippets Studio

When SmartSnippets Studio starts for the first time, the user must configure it. The necessary configurations are the following:

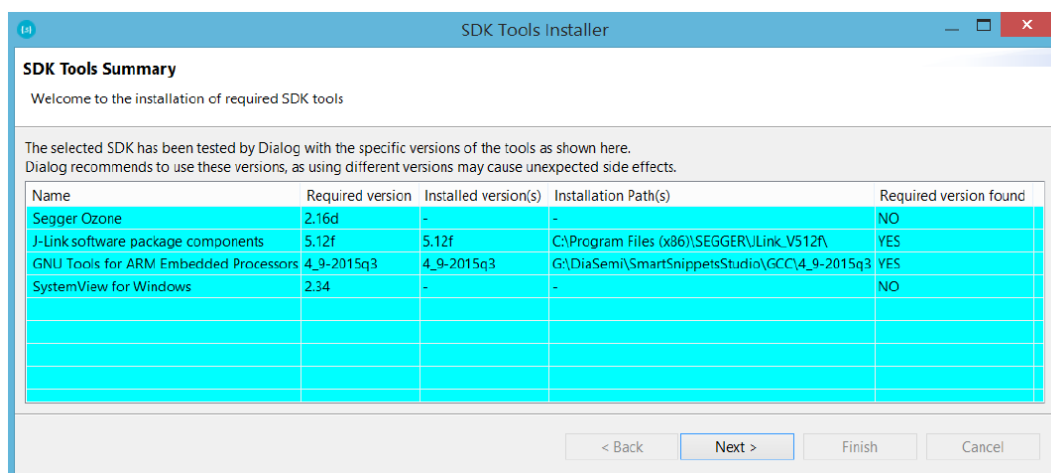
- Select the workspace folder for SmartSnippets. The dialog is shown in [Figure 9](#). It is suggested to choose the root directory of the SmartSnippets DA1468x SDK. If this is not done correctly, then the message “you have not selected the latest SDK” will be shown. The correct message should be: “You have not yet selected a SDK. Click the Browse button above and select the SDK location”.



**Figure 3: Dialog for Selecting Workspace**

If necessary, specify how the selected workspace should be treated. (DA1468x 1.0.8 SDK or DA1458x 5.0.4 SDK)

- A set of tools required for all SDKs are getting automatically detected, such as GNU ARM GCC, SmartSnippets Toolbox, etc. If required version of software cannot be found, they will be downloaded and installed by the SDK Tools Installer (See [Figure 10](#)).



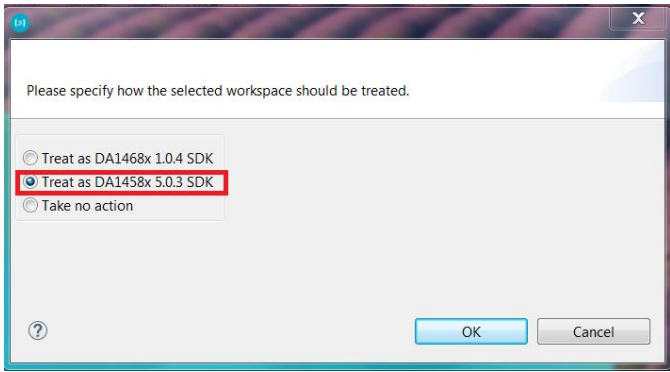
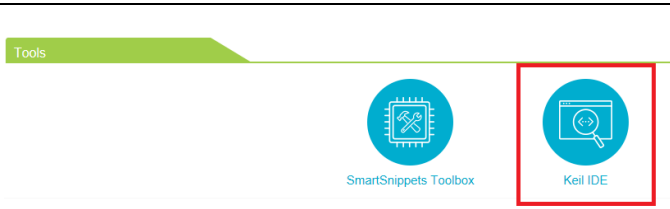
**Figure 4: SDK tools installer**

And now, the SmartSnippets Studio is ready for use.

## Getting started with the DA1458x Development Kit – Pro

Note, that Ozone and GNU tool chain are not needed for the DA1458x family.

**Table 7: Installation tools and drivers**

3.4 Setting up your PC		
1	Register yourself on the Dialog website <a href="http://support.dialog-semiconductor.com/">http://support.dialog-semiconductor.com/</a>	
2	Download the newest SDK <a href="http://support.dialog-semiconductor.com/product/da14580">http://support.dialog-semiconductor.com/product/da14580</a> <a href="http://support.dialog-semiconductor.com/product/da14585">http://support.dialog-semiconductor.com/product/da14585</a>	
3	Download SmartSnippets Studio <a href="https://support.dialog-semiconductor.com/resource/smartsnippetsstudiov153-windows-os">https://support.dialog-semiconductor.com/resource/smartsnippetsstudiov153-windows-os</a> <a href="https://support.dialog-semiconductor.com/resource/smartsnippetsstudiov153-linux-os">https://support.dialog-semiconductor.com/resource/smartsnippetsstudiov153-linux-os</a>	
5	To install the Software development environment, please follow the steps as shown below.	
3.4.1 SmartSnippets Studio		
1	Open SmartSnippets Studio and select: Treat as DA1458x	 <p>A dialog box titled "Please specify how the selected workspace should be treated." with three radio button options: "Treat as DA1468x 1.0.4 SDK", "Treat as DA1458x 5.0.3 SDK" (which is selected and highlighted with a red box), and "Take no action". There are "OK" and "Cancel" buttons at the bottom right.</p>
2	Press: Keil IDE from the Tools section of the welcome menu	 <p>The "Tools" section of the welcome menu is shown. It contains two icons: "SmartSnippets Toolbox" and "Keil IDE". The "Keil IDE" icon is highlighted with a red box.</p>

## Getting started with the DA1458x Development Kit – Pro

<p>3</p>	<p>The MDK-Lite version (&lt;32kB without a licence) of KEIL must be used.</p>	
<p>4</p>	<p>You should see a list of packs as shown on the right. If you do not see this list, please click the “Packs” menu item and select the “Check for Updates” option to download an updated list. Click on the “Install” or the “Update” button to the right of “ARM::CMSIS” package if not up to date.</p>	
<p>5</p>	<p>If the installation is successful, the pack installer window should look like this.</p>	
<p>6</p>	<p>Having installed the SEGGER JLink Software, this screen may occur, so: Select ‘yes’ and in the next window Select ‘M0’.</p>	
<h3>3.4.2 Tera Term</h3>		
<p>1</p>	<p>Download and install Tera Term on your PC.</p>	<p>Tera Term: <a href="http://en.sourceforge.jp/projects/ttssh2/releases/">http://en.sourceforge.jp/projects/ttssh2/releases/</a></p>

---

## Getting started with the DA1458x Development Kit – Pro

---

### 3.4.3 Software Development Kit content

#### 3.4.3.1 Tools

Web-link: [www.dialog-semiconductor.com/support](http://www.dialog-semiconductor.com/support), go to section **Products** for selecting chip (e.g DA14585) then **Software & Tools**, and finally **Tools** section.

#### SmartSnippets

SmartSnippets is a framework of PC based tools to control DA14580/581/583/585/586 development kit, consisting of:

- Power Profiler : Real time current consumption measurement to for the DA14580/581/583 motherboard
- OTP Programmer: Tool for OTP memory programming
- UART/JTAG booter: Tool for downloading hex files to DA14580/581/583 SRAM over UART or JTAG
- SPI & EEPROM programmer: A tool for SPI & EEPROM flash programming
- Sleep Mode Advisor: Calculation tool to determine most optimal sleep modes

#### 3.4.3.2 SDK documents

- UM-B-0051, DA1458x Software Platform Reference0\_581\_583 Software development guide
- UM-B-006, DA14580 Sleep mode configuration
- UM-B-007, DA14580 Software Patching over the Air (SPOTA)
- UM-B-008, DA14580 Production test tool
- UM-B-010, DA14580\_581\_583 Proximity application
- UM-B-011, DA14580 Memory map – scatter file
- UM-B-012, DA14580 Secondary boot loader
- UM-B-013, DA14580 External Processor Interface over SPI
- UM-B-014, DA14580 Bluetooth Smart Development Kit – Expert
- UM-B-015, DA14580\_581\_583 Software architecture
- UM-B-016, DA14580 Software Porting Guide
- UM-B-017, DA14580 GTL interface Integrated Processor Application
- UM-B-079 DA14585 & DA14586 Software Platform Reference (SDK 6.0.2)
- UM-B-080 DA14585 & DA14586 Software Developer's Guide (SDK 6.0.2)
- UM-B-082 DA14585/586 SDK5.0.4 to SDK6 Porting Guide\_1v0



## Getting started with the DA1458x Development Kit – Pro

### 3.4.3.3 SDK source code examples (created with Keil IDE)

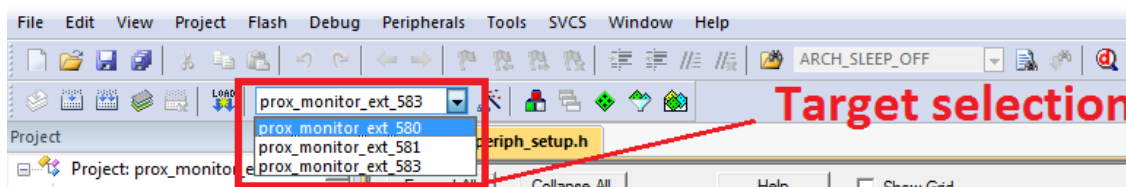
Web-link:

- **projects.** This folder holds all the necessary folders needed for DA14580/581/583/585/586 application development.
  - **projects\target\_apps\ble\_examples**  
The folder contains the following subfolders and in each one of them resides the respective project file. DA14585/586, only Keil\_5 is supported:

**Table 8: SDK Examples**

Folder	Project File	Description
prox_monitor_ext\Keil_5	prox_monitor_ext.uvprojx	Proximity Monitor (External processor configuration) (*see below for device selection) USB MONITOR (**see below)
prox_reporter_ext\Keil_5	prox_reporter_ext.uvprojx	Proximity Reporter (External processor configuration) (*see below for device selection) USB MONITOR (**see below)
prox_reporter\Keil_5	prox_reporter.uvprojx	Proximity Reporter (Integrated processor configuration) (*see below for device selection)
ble_app_barebone\Keil_5	ble_app_barebone.uvprojx	Barebone project (Integrated processor configuration) (*see below for device selection)
ble_app_peripheral\Keil_5	ble_app_peripheral.uvprojx	Peripheral (Integrated processor configuration) (*see below for device selection)
ble_app_profile\Keil_5	ble_app_profile.uvprojx	Profiles (Integrated processor configuration) (*see below for device selection)
prox_reporter_ext_spi\Keil_5	prox_reporter_ext_spi.uvprojx	Proximity Reporter (External processor) SPI version (*see below for device selection)

The device can be easily selected as shown below:



**Figure 5: DA14580 Target selection**

## Getting started with the DA1458x Development Kit – Pro



Figure 6: da14585 Target selection

\*\*USB MONITOR/USB REPORTER can be easily selected as shown below.

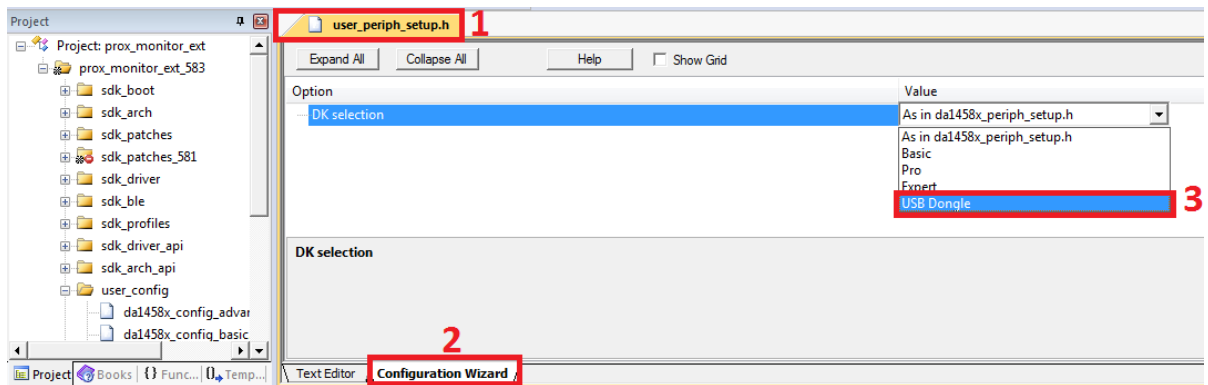


Figure 7: DA14580 USB selection

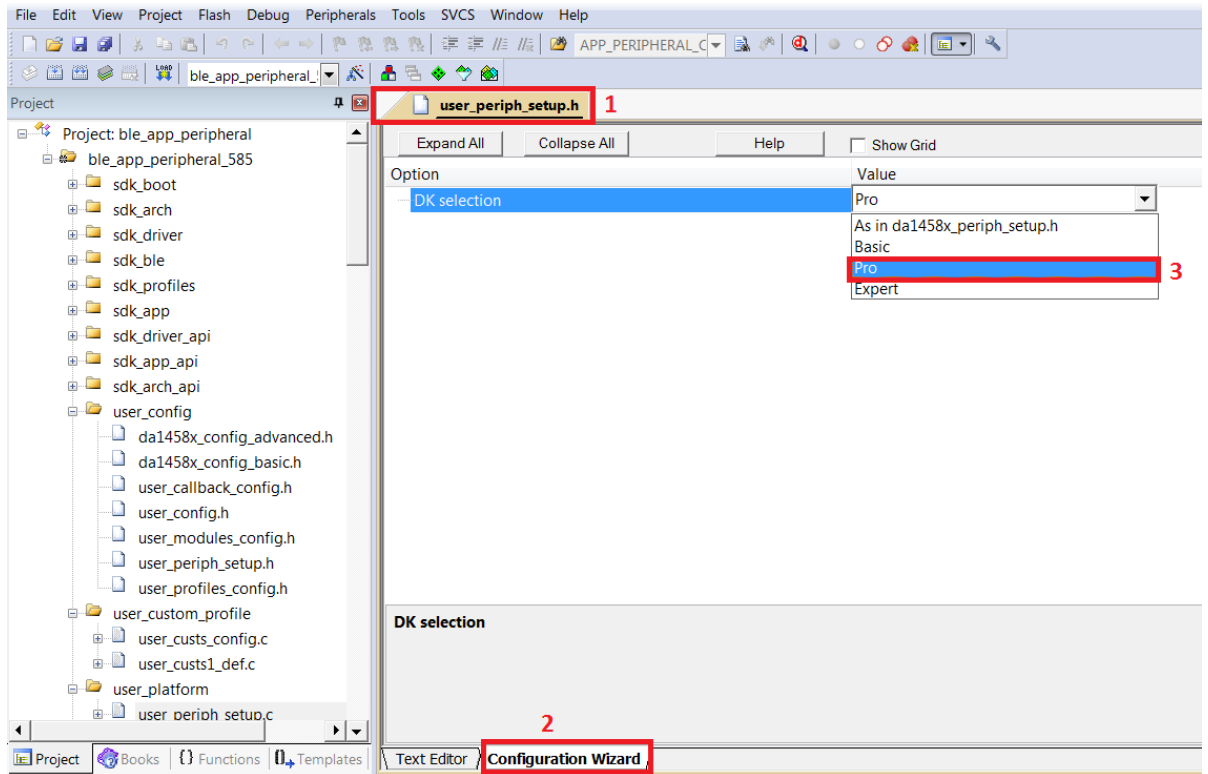


Figure 8: DA14585 USB selection

---

## Getting started with the DA1458x Development Kit – Pro

---

- **projects\target\_apps\prod\_test:** This folder includes the source code of the production test firmware. Refer to UM-B-008\_DA14580\_581\_583\_Production\_test\_tool.pdf for more information how to build and use it.
  
- **5.0.x:** This folder holds the DA14580/581/583 PC applications:
  - **projects\host\_apps\windows\proximity:** This folder includes two Windows C applications, with each one acting as part of a proximity monitor and a proximity reporter application. They are placed in subfolders *monitor* and *reporter* respectively. For details, please read the *DA14580 Proximity Application Guide*.
  - **binaries\host\windows\proximity:** This folder includes two pre-compiled Windows executables which correspond to the C applications described right above and are included for user convenience.
  - **projects\target\_apps\peripheral\_examples:** This folder includes sample code of how to use the peripheral blocks of the DA14580 (e.g. UART, SPI, I2C etc.) bundled to a demo-kit. For details, please refer to [9].
  
- **6.0.x:** This folder holds the DA14585/586 PC applications:
  - **projects\host\_apps\windows\proximity:** This folder includes two Windows C applications, with each one acting as part of a proximity monitor and a proximity reporter application. They are placed in subfolders *monitor* and *reporter* respectively.
  - **binaries\host\windows\proximity:** This folder includes two pre-compiled Windows executables which correspond to the C applications described right above and are included for user convenience.
  - **projects\target\_apps\peripheral\_examples:** This folder includes sample code of how to use the peripheral blocks of the DA14585/586 (e.g. UART, SPI, I2C etc.) bundled to a demo-kit.
  
- **utilities:**

**utilities\prod\_test\prod\_test\_cmds:** This folder includes the source code of the production test tool. Refer to UM-B-008\_DA14580\_581\_583\_Production\_test\_tool.pdf for more information how to build and use it.

## Getting started with the DA1458x Development Kit – Pro

### 3.5 Pinning

In [Figure 9](#) the pinout of the DA14583 is shown. New, compared to the DA14580/581, are the connections to the internal SPI flash memory.

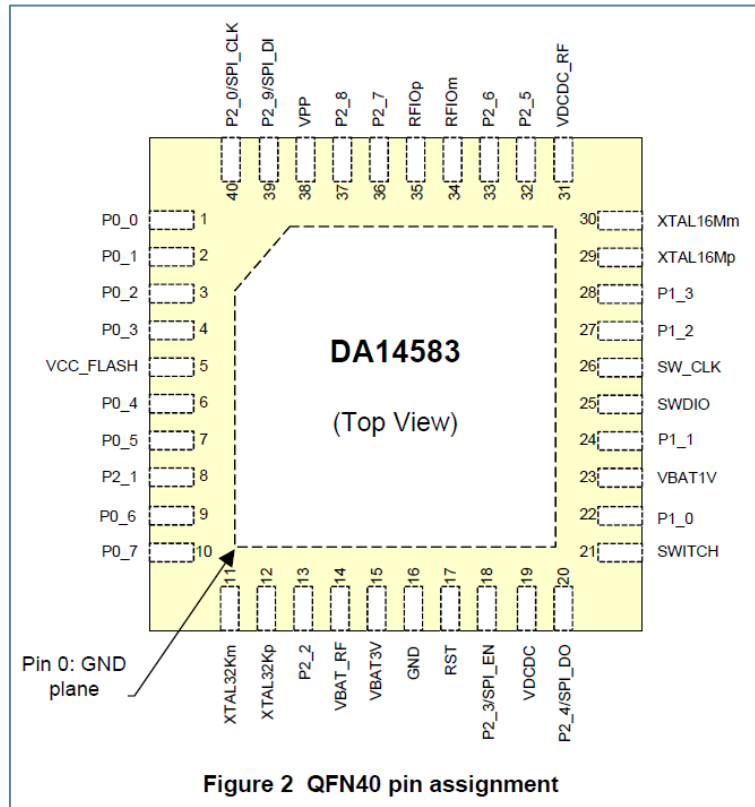


Figure 9: QFN40 pin assignment from datasheet

Table 9: SPI connections

port	function	remark
DA14583		
P2_0	SPI_CLK	SCLK ( <a href="#">Note 1</a> )
P2_9	SPI_DI	MOSI ( <a href="#">Note 1</a> )
P2_4	SPI_DO	MISO ( <a href="#">Note 1</a> )
P2_3	SPI_EN	not to be used for external SPI (!)
	VCC_FLASH	power for internal Flash Memory
	GND	

**Note 1** shared with internal flash memory

When external SPI components are used, SPI\_EN is occupied for internal use. Another pin should be chosen for SPI\_EN of the external component.

By using a Secondary Bootloader the proper pins are programmed to load the booting software from the SPI-memory at startup.  
See more info from [UM-B-012 \[12\]](#).

Getting started with the DA1458x Development Kit – Pro

3.6 DA14585 Pining

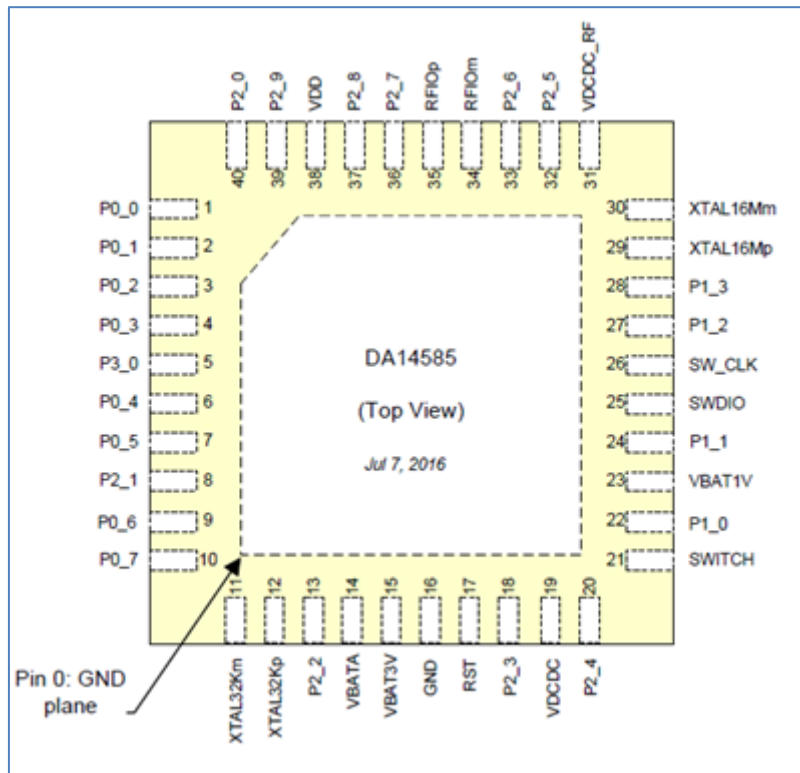


Figure 10: DA14585 - QFN40 pin assignment

DA14585 - QFN40 pins assignment differentiation:

- DA14580/1/3: Pin 38, VDD is assigned instead of VPP. DA14585/6 doesn't need an external 6.8V voltage rail for programming OTP. VDD is input and it is used for testing purposes only. In normal operation this pin must left floating.
- To DA14583/6: Pin 5, is assigned to P3\_0 instead of VCC\_ Flash for DA14583 and DA14586. On DA14585, this is a general purpose IO pin.

Getting started with the DA1458x Development Kit – Pro

3.7 DA14586 Pining

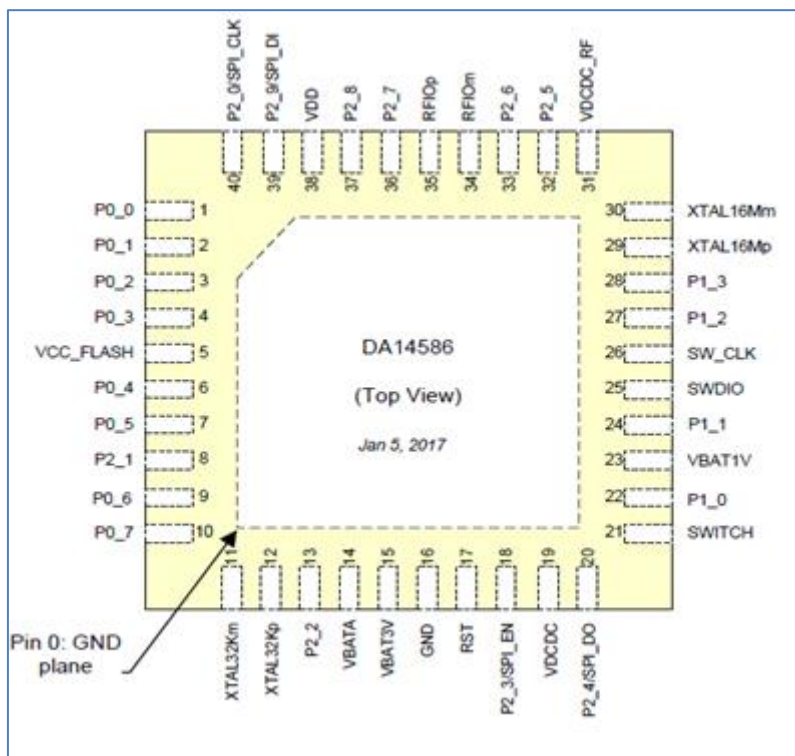


Figure 11: DA14586 - QFN40 pin assignment

DA14586 - QFN40 pins assignment differentiation:

To DA14580/1/3: Pin 38, VDD is assigned instead of VPP. DA14585/6 doesn't need an external 6.8V voltage rail for programming OTP. VDD is input and it is used for testing purposes only. In normal operation this pin must left floating.

To DA14580/1/5: Pin 5, VCC\_Flash is assigned instead of P3\_0. VCC\_Flash is used for supplying the internal flash memory for DA14586. Same assignment is valid for DA14583.

In addition, as DA14586 incorporates a 2Mbit flash memory, four pins are multiplexed with internal flash data pins :

Table 10: SPI connections

Pin number DA14586	Port DA14586	function	Remark
40	P2_0	SPI_CLK	SCLK (Note 2)
39	P2_9	SPI_DI	MOSI (Note 2)
20	P2_4	SPI_DO	MISO (Note 2)
18	P2_3	SPI_EN	not to be used for external SPI (!)
5		VCC_FLASH	power for internal Flash Memory
		GND	

Note 2: shared with internal flash memory

When external SPI components are used, SPI\_EN is occupied for internal use. Another pin should be chosen for SPI\_EN of the external component.

## Getting started with the DA1458x Development Kit – Pro

By using a Secondary Bootloader the proper pins are programmed to load the booting software from the SPI-memory at startup.

### 3.7.1 PCB design and functionalities

The top-screen layer of the pro kit PCB is shown below in Figure 12.

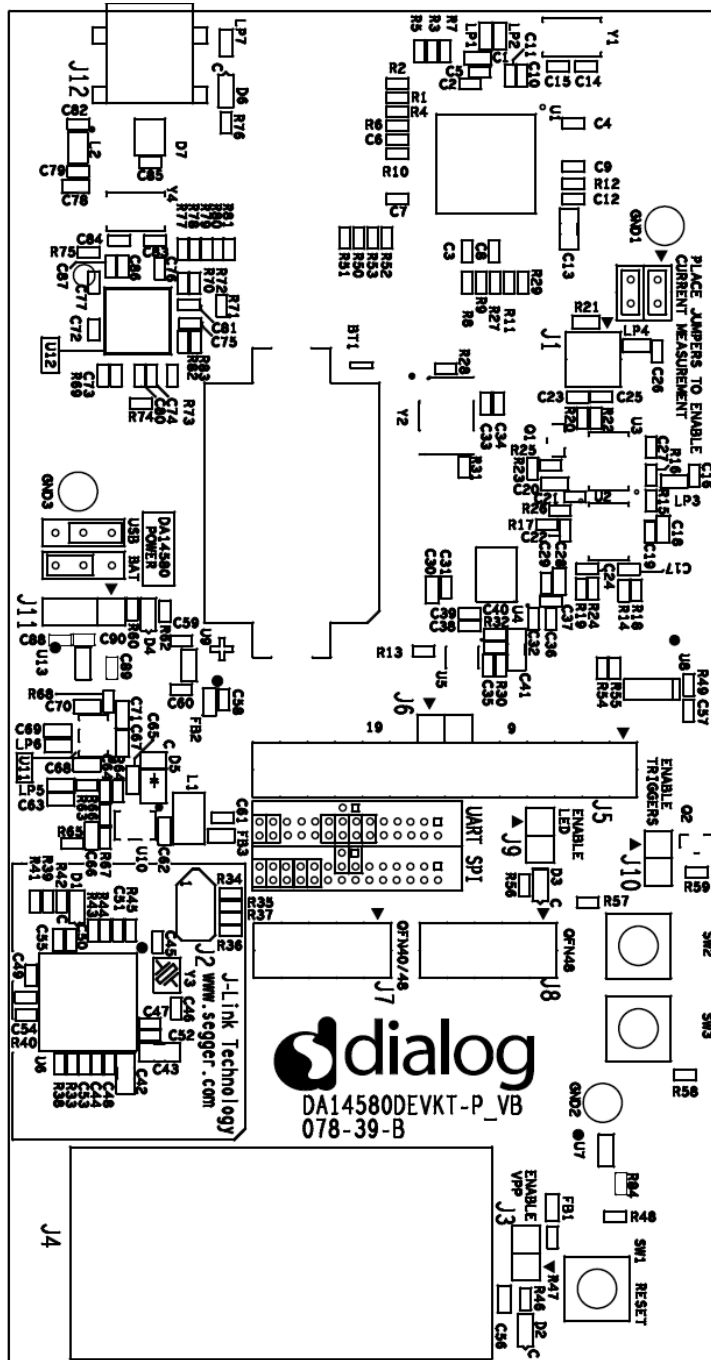


Figure 12: MotherBoard of Development Kit – Pro (PCB topview)

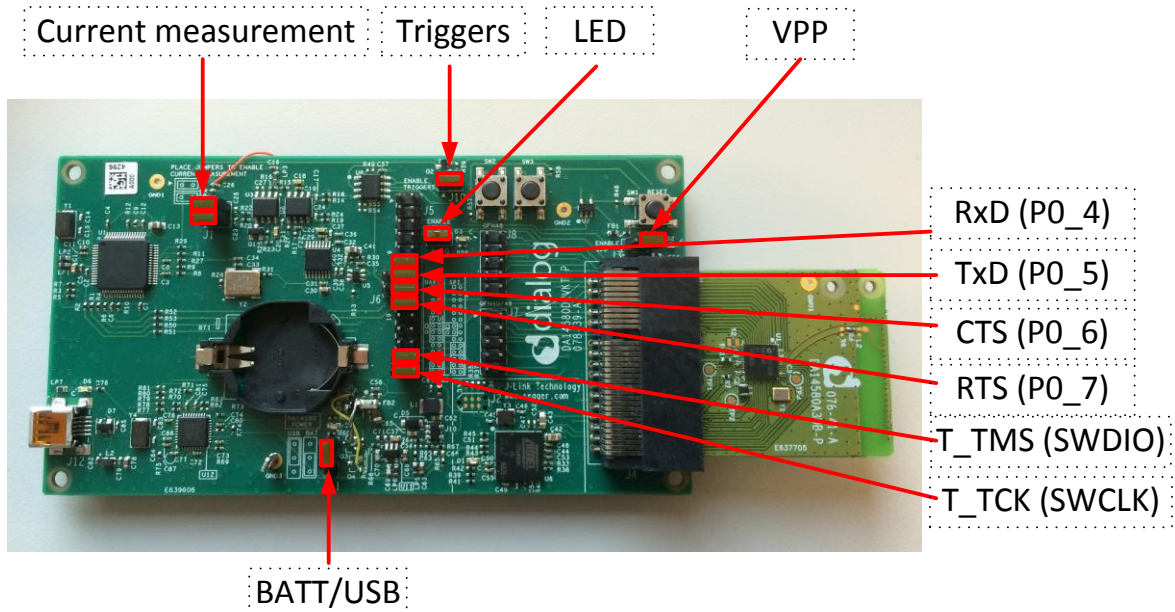


## Getting started with the DA1458x Development Kit – Pro

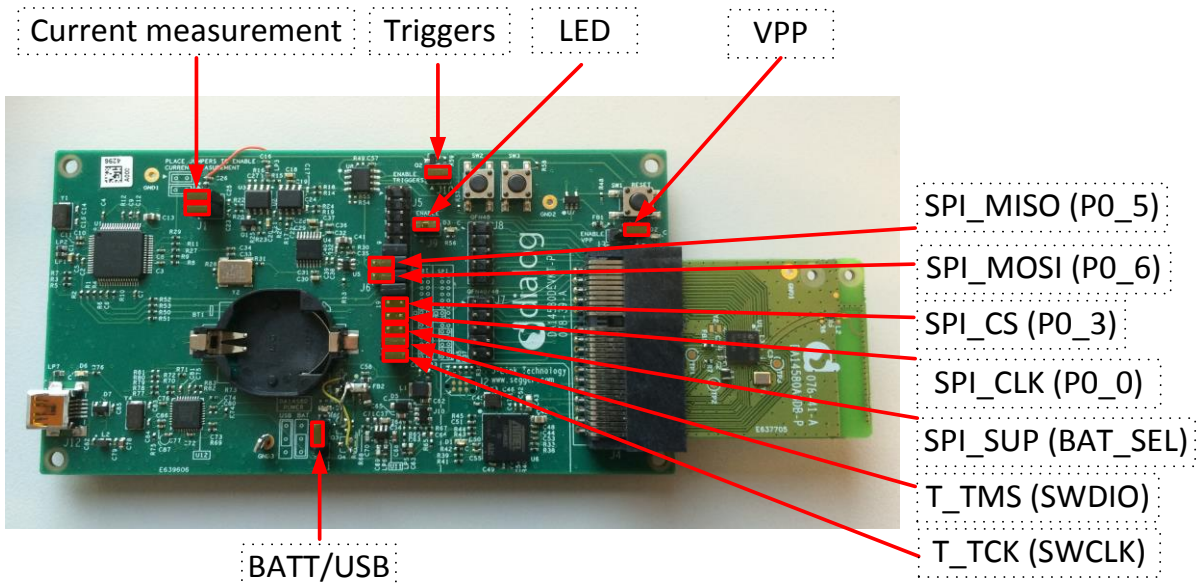
### 3.7.2 Configuring the Pro kit-board by jumper settings

There are two configurations that can be switched; the default configuration that supports the boot from UART or the configuration that supports boot from an external SPI flash memory.

The jumper settings are displayed below.



**Figure 13: DA14580/581/583 (Fabrication default)  
UART boot settings (T\_TxD : (P0\_5) and T\_RxD : (P0\_4))**



**Figure 14: DA14580/581 Boot from external SPI memory**

**Note 3** These functionalities are shown in detail in [Appendix A](#)



Getting started with the DA1458x Development Kit – Pro

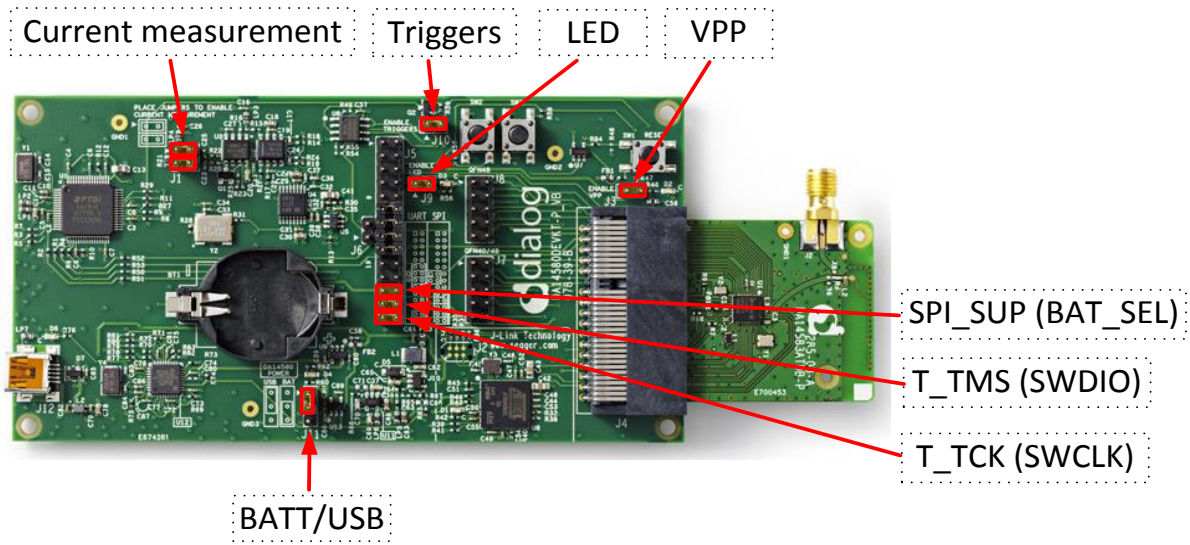


Figure 15: DA14583 Boot from internal SPI memory

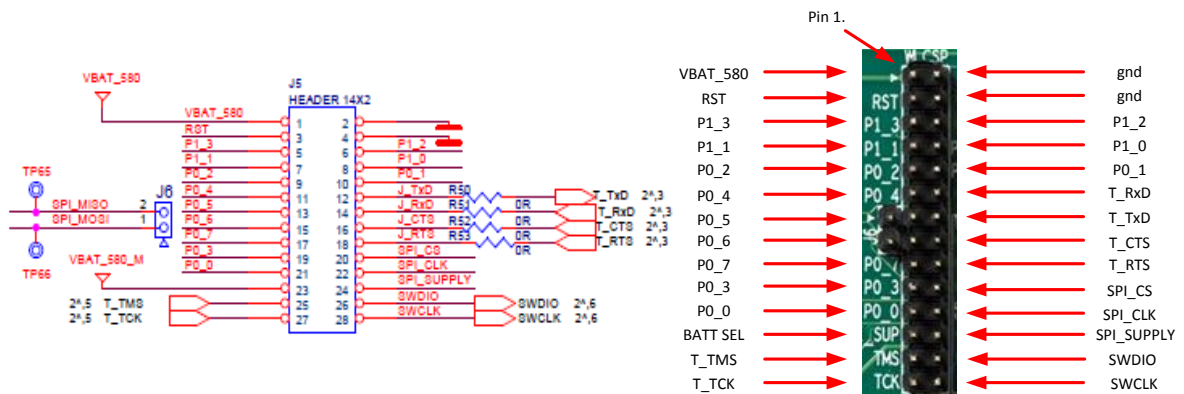


Figure 16: Layout of headers J5 and J6

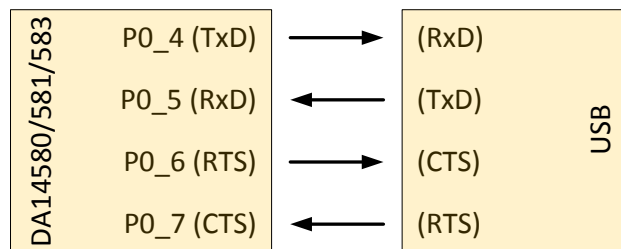


Figure 17: UART Data Direction of Uart within J5

**Example:** when jumper J5 (27-28) is placed, connection ‘T\_TCK = SWCLK’ is made.

In [Figure 13](#) and [Figure 14](#) the connections are added next to the arrows.

---

## Getting started with the DA1458x Development Kit – Pro

On this board only the buck mode is used. A choice can be made between 3V3 (via USB: J11 1-2) or Vdd (a coin cell: J11 2-3). No battery is needed when running via the USB-mini-cable.

**Remark:** For proper battery functionality a small modification should be made. For the details see the workaround in [Appendix G](#).

### 3.7.3 Block diagram

This is the schematic of the block diagram; all other schematics can be found in [Appendix C](#).

Getting started with the DA1458x Development Kit – Pro

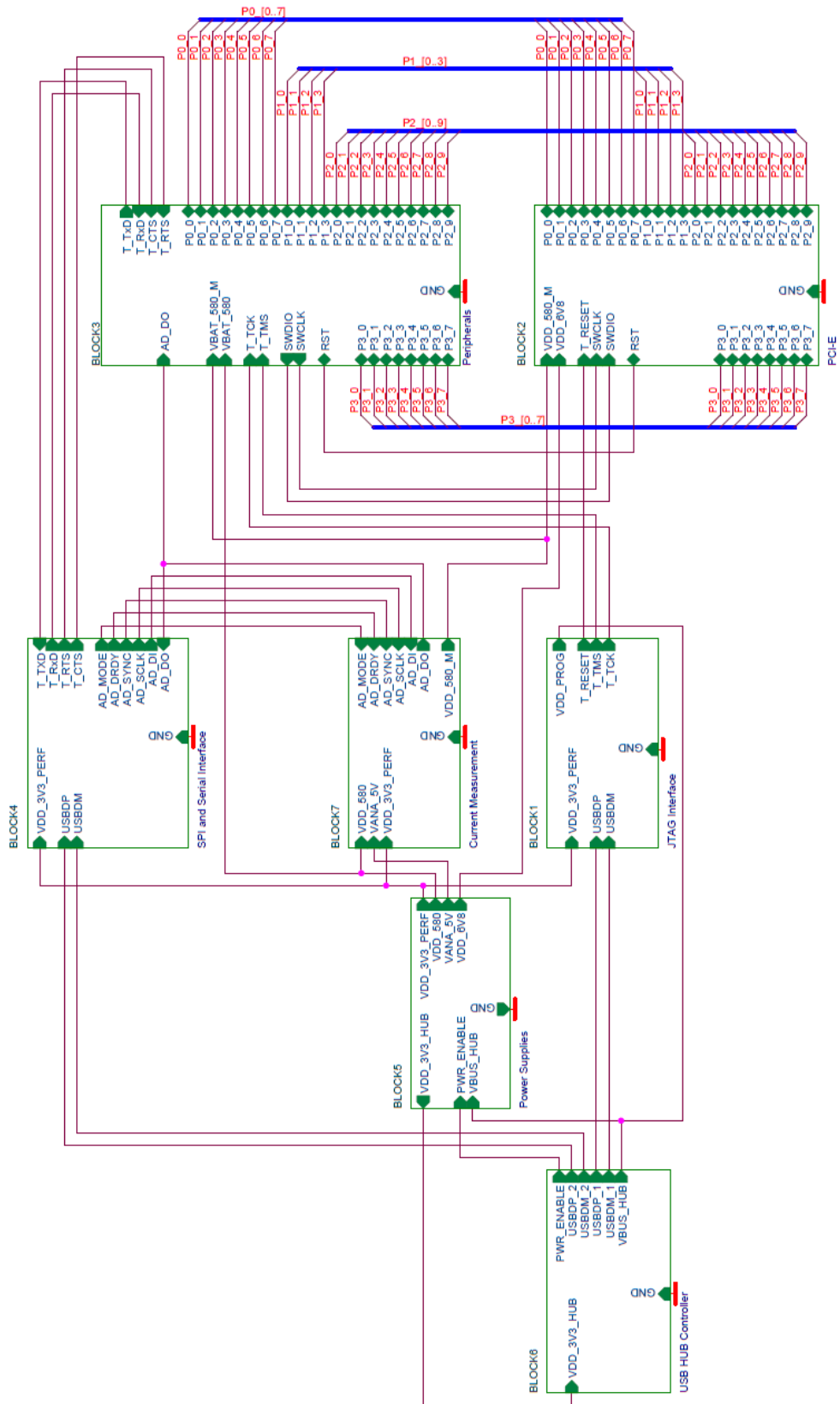


Figure 18: Block diagram of total system memory and tools

## Getting started with the DA1458x Development Kit – Pro

The DA14580/DA14581/DA14583DEVKT is equipped with: (on the chip) SRAM (50k) and OTP (32k).

Mounted on the board is external SPI flash memory (2Mbit).

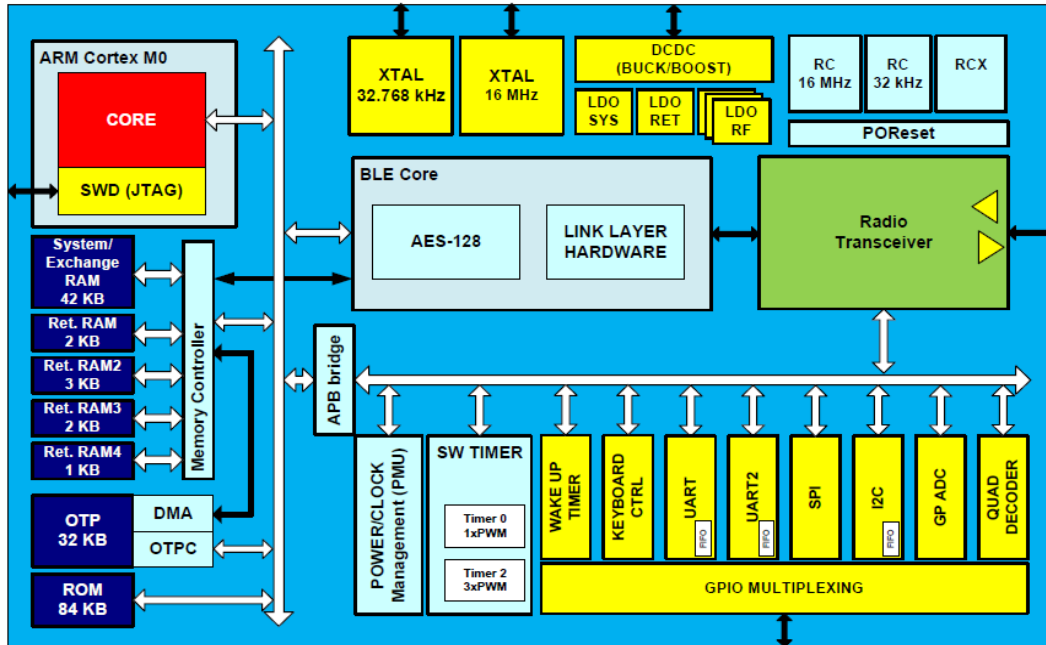


Figure 19: DA14580/581/583 block diagram

Software can be downloaded to:

- SRAM
  - Keil IDE
  - SmartSnippets
  - Command Line Interface (CLI)
  - Connection Manager
- OTP
  - SmartSnippets
  - CLI
- SPI (flash)
  - SmartSnippets
  - CLI

Example: loading software (hex-file) by using SmartSnippets

- PC → UART → DA14580/581/583
- PC → UART → DA14580/581/583 → SPI (flash)
- PC → UART → DA14580/581/583 → OTP

For the settings of the jumpers see [Figure 13](#).

An example of the **CLI** is shown in Appendix D

## Getting started with the DA1458x Development Kit – Pro

The DA14585/DA14586 is equipped with: (on the chip) SRAM (96k) and OTP (64k). Mounted on the board is external SPI flash memory (2Mbit). External Flash is not used for DA14586.

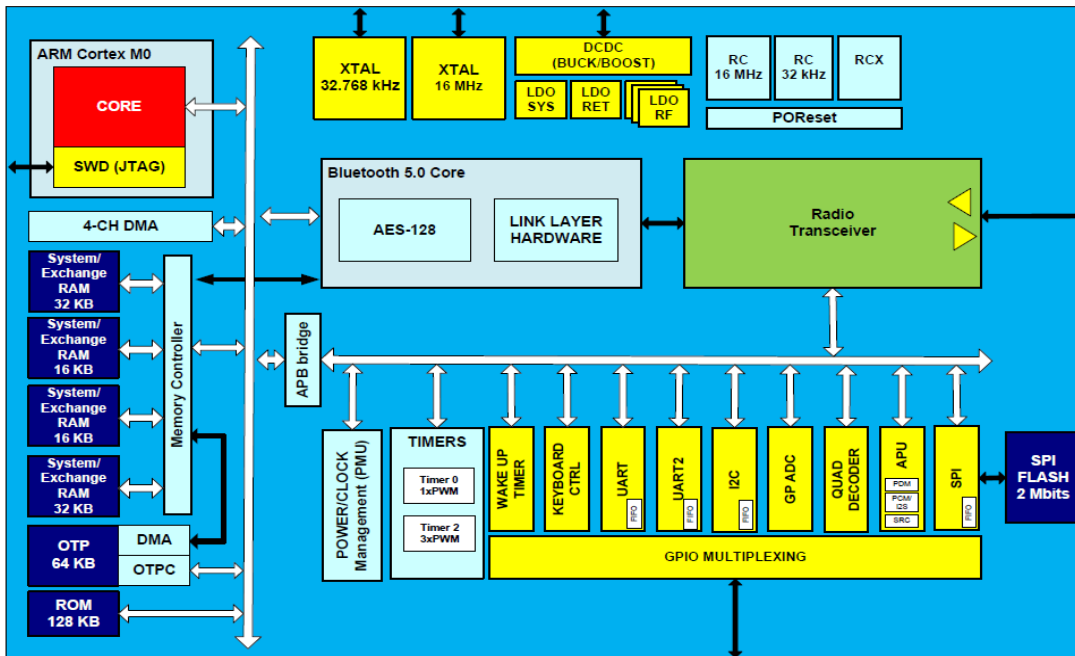


Figure 20: DA14585/586 block diagram

Software can be downloaded to:

- SRAM
  - Keil IDE
  - SmartSnippets
  - Command Line Interface (CLI)
  - Connection Manager
- OTP
  - SmartSnippets
  - CLI
- SPI (flash)
  - SmartSnippets
  - CLI

Example: loading software (hex-file) by using SmartSnippets

- PC → UART → DA14585/586
- PC → UART → DA14585/586 → SPI (flash)
- PC → UART → DA14585/586 → OTP

For the settings of the jumpers see [Figure 13](#).

## Getting started with the DA1458x Development Kit – Pro

An example of the CLI is shown in Appendix D

### 4 Using the demo kit

Follow the steps shown in Table 11 to easily create a working demo kit.

**Table 11: Run an example on DA14580/581/583**

4.1 Run an example on the DA14580/581/583		
1	<p>After you download the SDK at <a href="http://www.dialog-semiconductor.com/support">www.dialog-semiconductor.com/support</a> The source code example can be found in the example directory called “<i>peripheral_examples</i>”.</p> <p>Go to <code>projects\target_apps\peripheral_examples\blinky\Keil_5</code></p> <p>Double click “<code>blinky.uvproj</code>”</p>	
2	<p>The development environment should look like this when the project is opened with Keil.</p>	

Getting started with the DA1458x Development Kit – Pro

<p>3</p>	<p>Click on the “Target Options” button</p>	
<p>4</p>	<p>‘Options for Target’ → ‘Device’ -screen should look like this.</p>	
<p>5</p>	<p>Scatterfiles (.sct) are used for selecting memory areas.</p>	<p style="text-align: center;">scatter file selection in ‘Options for Target’</p>

Getting started with the DA1458x Development Kit – Pro

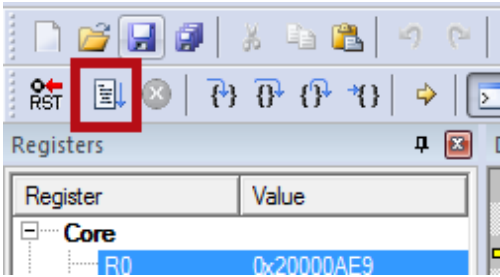
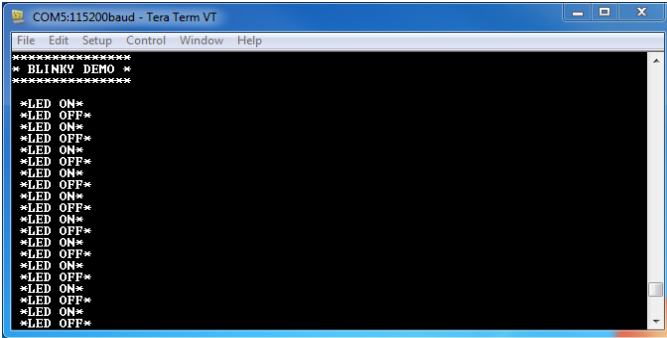
<p>6</p>	<p>Make sure “J-LINK/J-Trace Cortex” is selected as shown and the initialization file field is set correctly to “.sysram.ini”. Click on “<b>Settings</b>” for next screen.</p>	
<p>7</p>	<p>After clicking the “<b>Settings</b>”-button above, make sure the SW Device has been detected correctly.</p>	
<p>8</p>	<p>Click “<b>OK</b>” to save the settings.</p>	<p>All settings have been saved properly now, and you can continue to build the example.</p>
<p>9</p>	<p>Build the project by pressing “F7” key, or click the build button as shown in following picture</p>	
<p>10</p>	<p>Make sure you have a UART connection between your PC and a mother board, as shown in 6.1.5. Check the “COM” number on you PC.</p>	<p>Go to the Windows Control Panel →Administrative Tools →Computer Management → Device Manager → Ports → USB Serial Port # (connect or disconnect to see the COM port of that module)</p>
<p>11</p>	<p>Open the “<b>Tera Term</b>” serial terminal on you PC.</p>	



Getting started with the DA1458x Development Kit – Pro

<p>12</p>	<p>Open Tera Term and choose a COM port, which you have found in step 3, and click OK</p>	
<p>13</p>	<p>Choose Setup-&gt;Serial port to configure the Baud rate etc.</p>	
<p>14</p>	<p>Set "Baud rate" to 115200, "Data" to 8 bit, "Parity" to None, "Stop" to 1 bit and "Flow control" to none. Click OK. Now we have a properly configured UART terminal on our PC.</p>	
<p>15</p>	<p>Go back to Keil Project. In the menu bar, select Debug-&gt;Start/Stop Debug Session.</p>	
<p>16</p>	<p>A dialog window pops up, like the one on the right. Please click "OK"</p>	

Getting started with the DA1458x Development Kit – Pro

<p>17</p>	<p>Press F5 key or click execution button as shown in following picture, to start code execution.</p>	
<p>18</p>	<p>Then you can see a <i>blinky</i> message on your UART terminal screen. That means you have successfully programmed and started the blinky program on DA14580/581/583 Demo board.</p>	

Getting started with the DA1458x Development Kit – Pro

Appendix A Layout

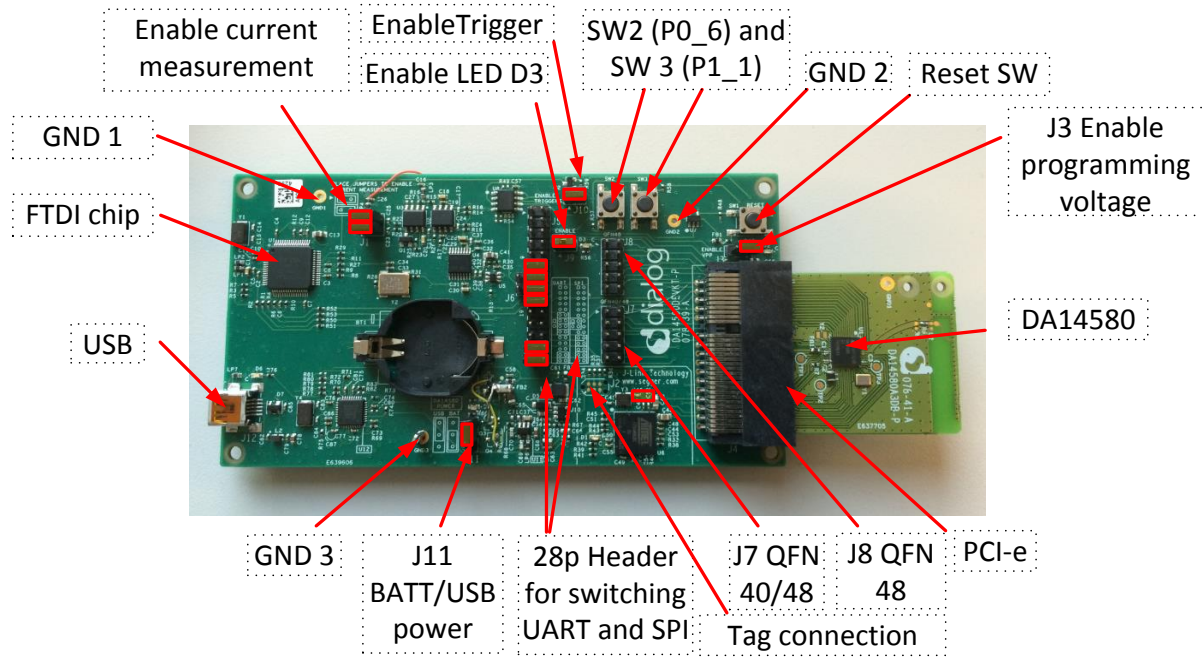


Figure 21: Board layout

Appendix B Connections of J7 and J8

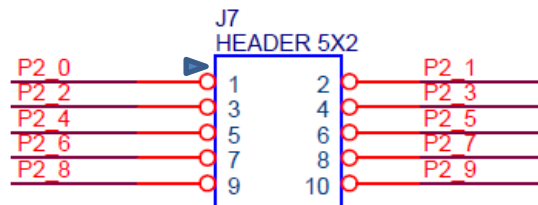


Figure 22: IO breakout available on QFN40 and QFN48

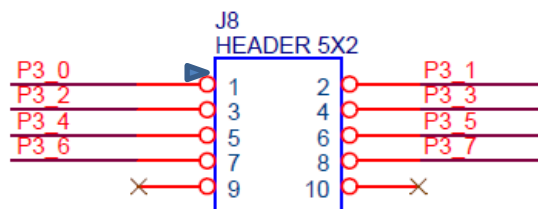


Figure 23: IO breakout available on QFN48

Getting started with the DA1458x Development Kit – Pro

Appendix C Schematics Motherboard and Daughterboards

C.1 Peripherals

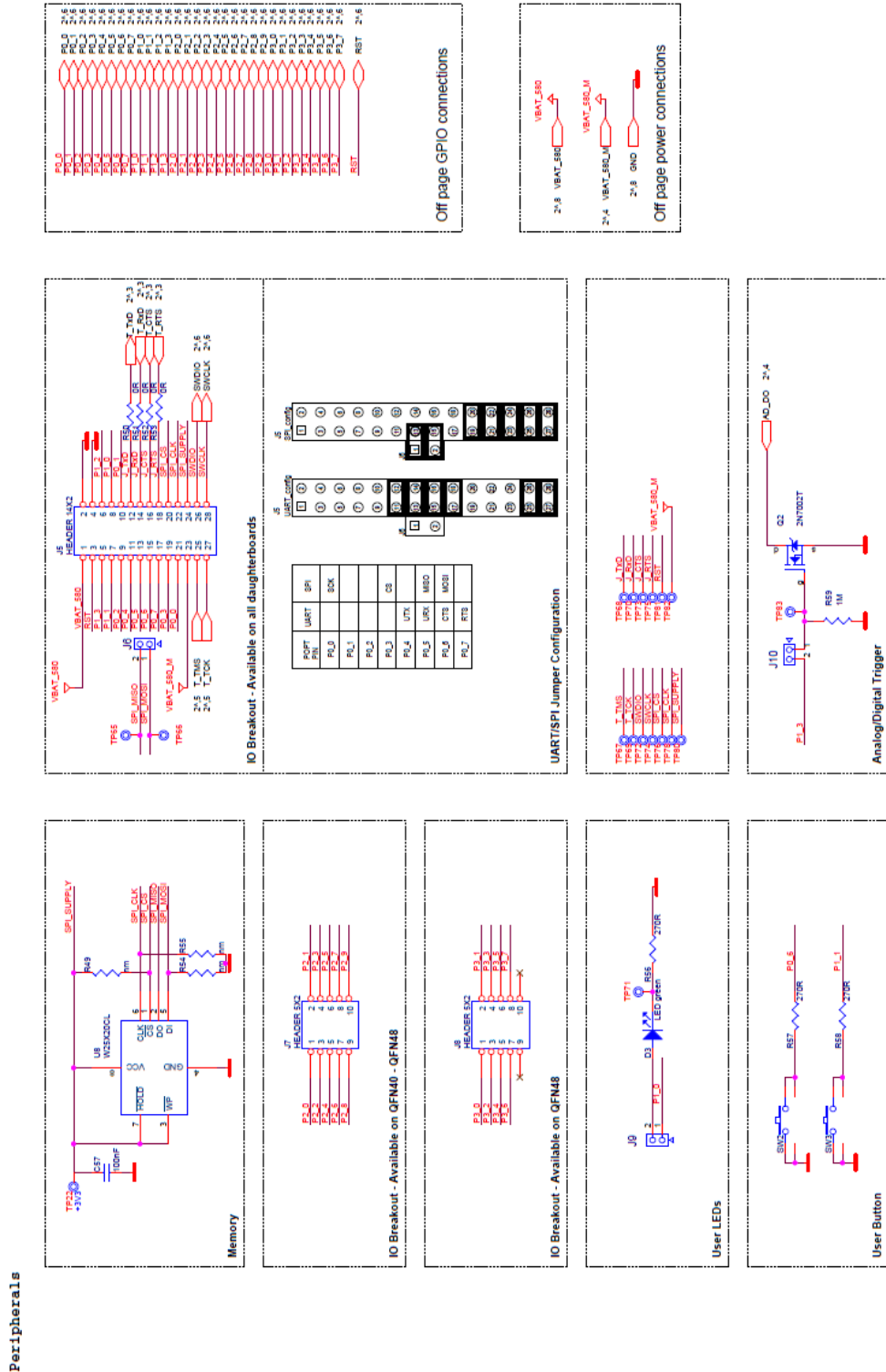


Figure 24: Peripherals schematic of Motherboard

# Getting started with the DA1458x Development Kit – Pro

## C.2 SPI and serial

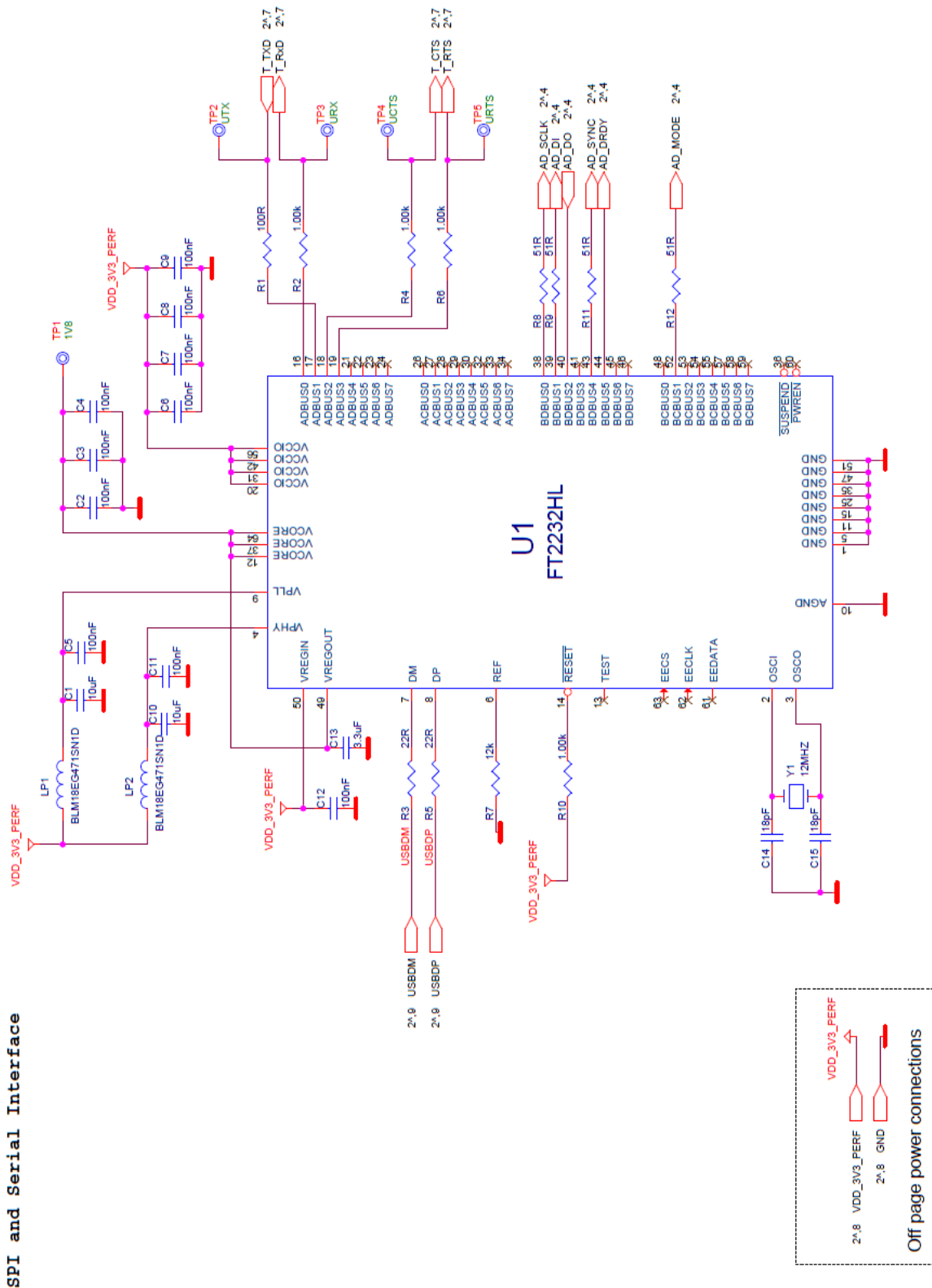


Figure 25: SPI and serial schematic of Motherboard

# Getting started with the DA1458x Development Kit – Pro

## C.3 Current measurement

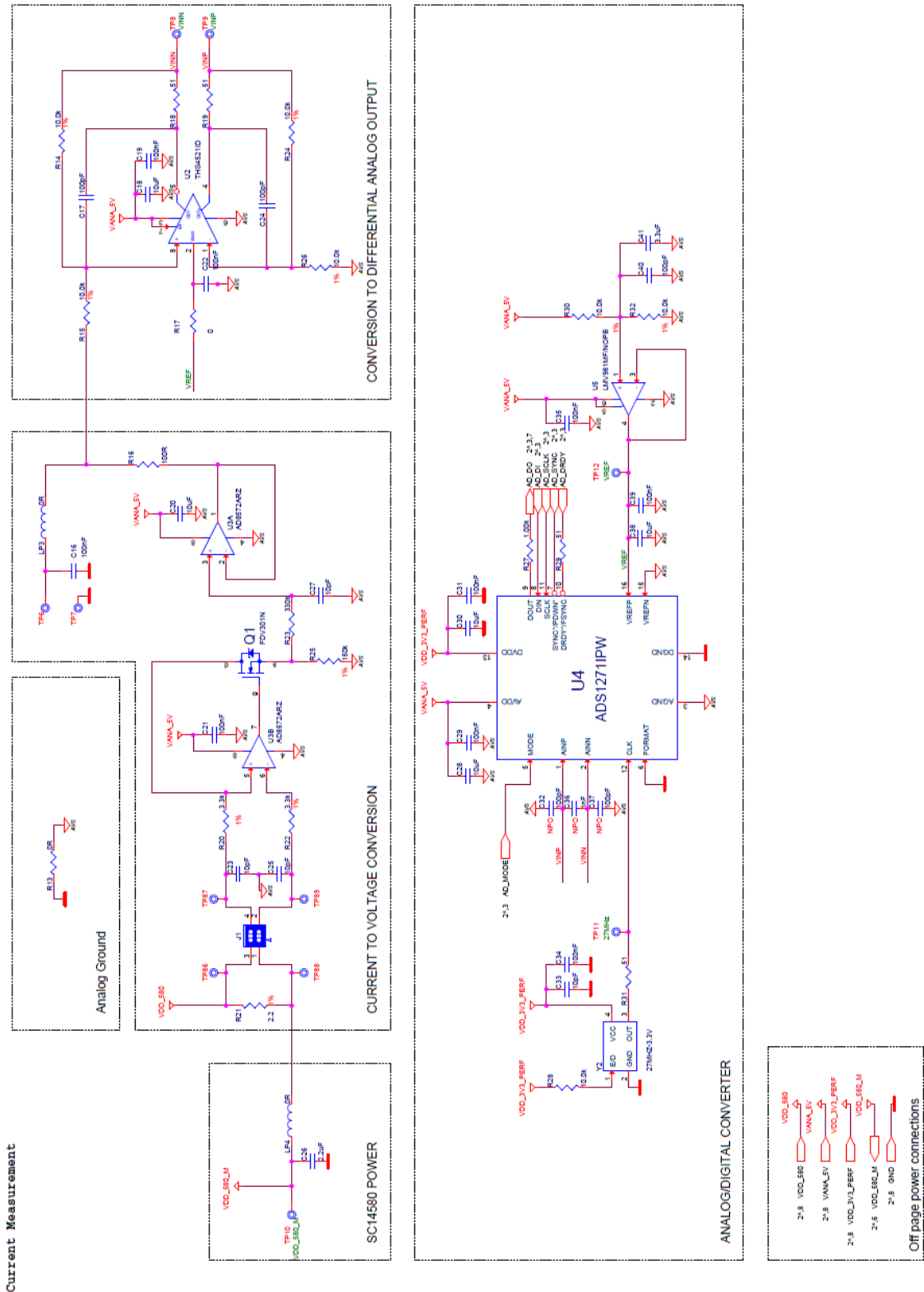


Figure 26: Current measurement schematic of Motherboard



Getting started with the DA1458x Development Kit – Pro

C.5 PCI-e

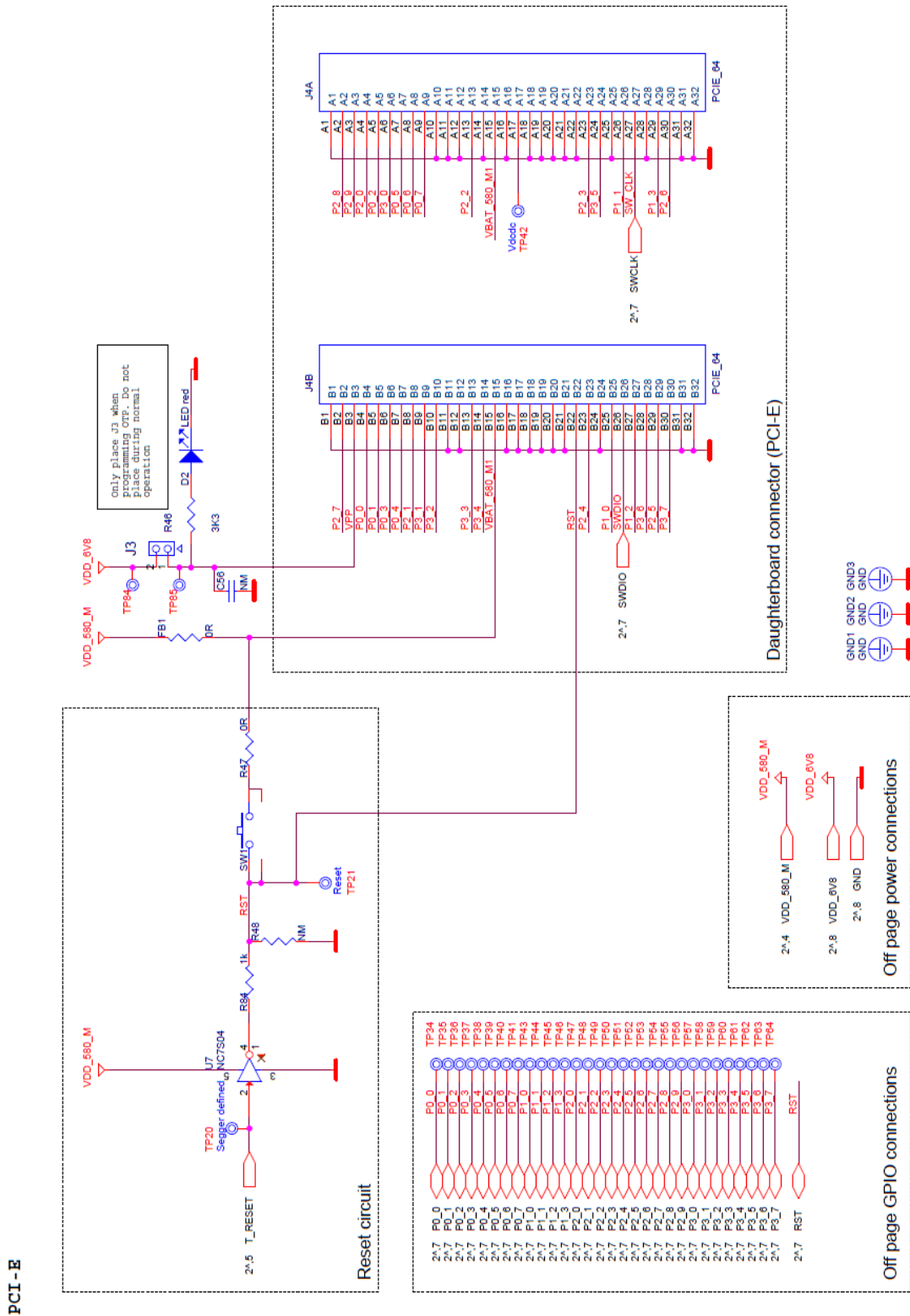


Figure 28: PCI-e schematic of Motherboard





# Getting started with the DA1458x Development Kit – Pro

## C.7 USB HUB Controller

USB HUB Controller

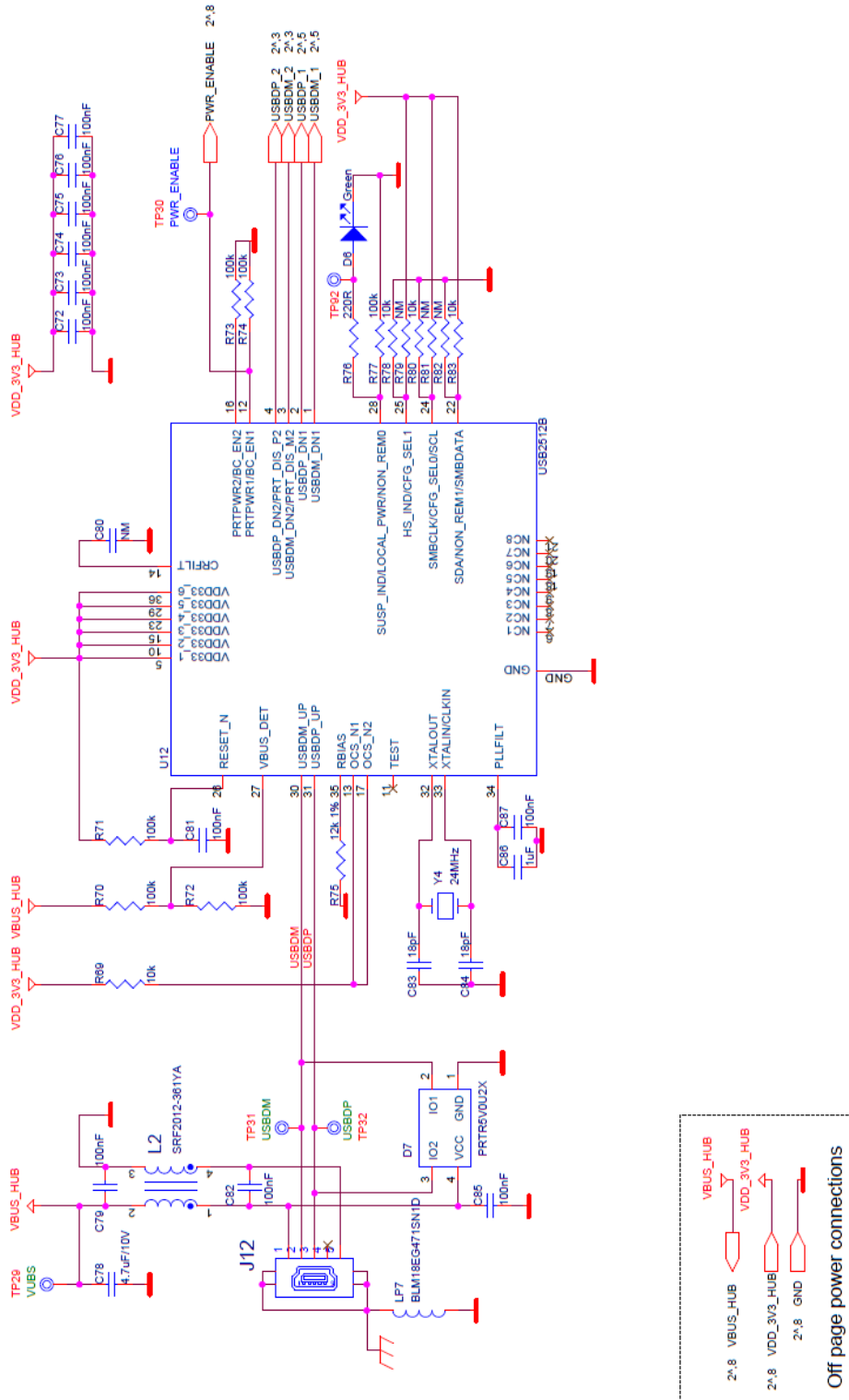


Figure 30: USB HUB controller schematic of Motherboard

# Getting started with the DA1458x Development Kit – Pro

## C.8 DA14580 WLCSP Daughter board

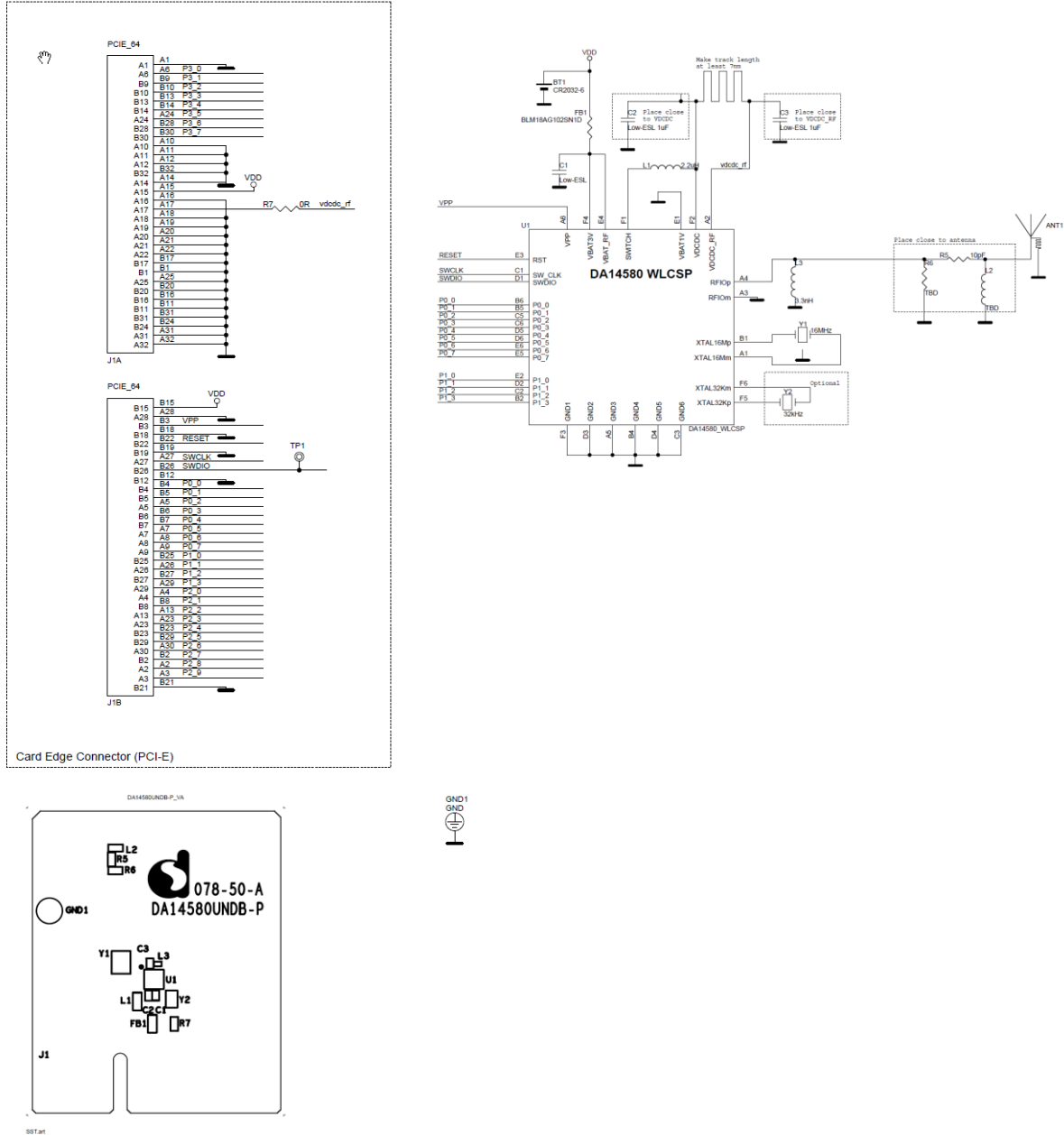


Figure 31: DA14580 WLCSP Daughter board

# Getting started with the DA1458x Development Kit – Pro

## C.9 DA14580 QFN40 Daughterboard

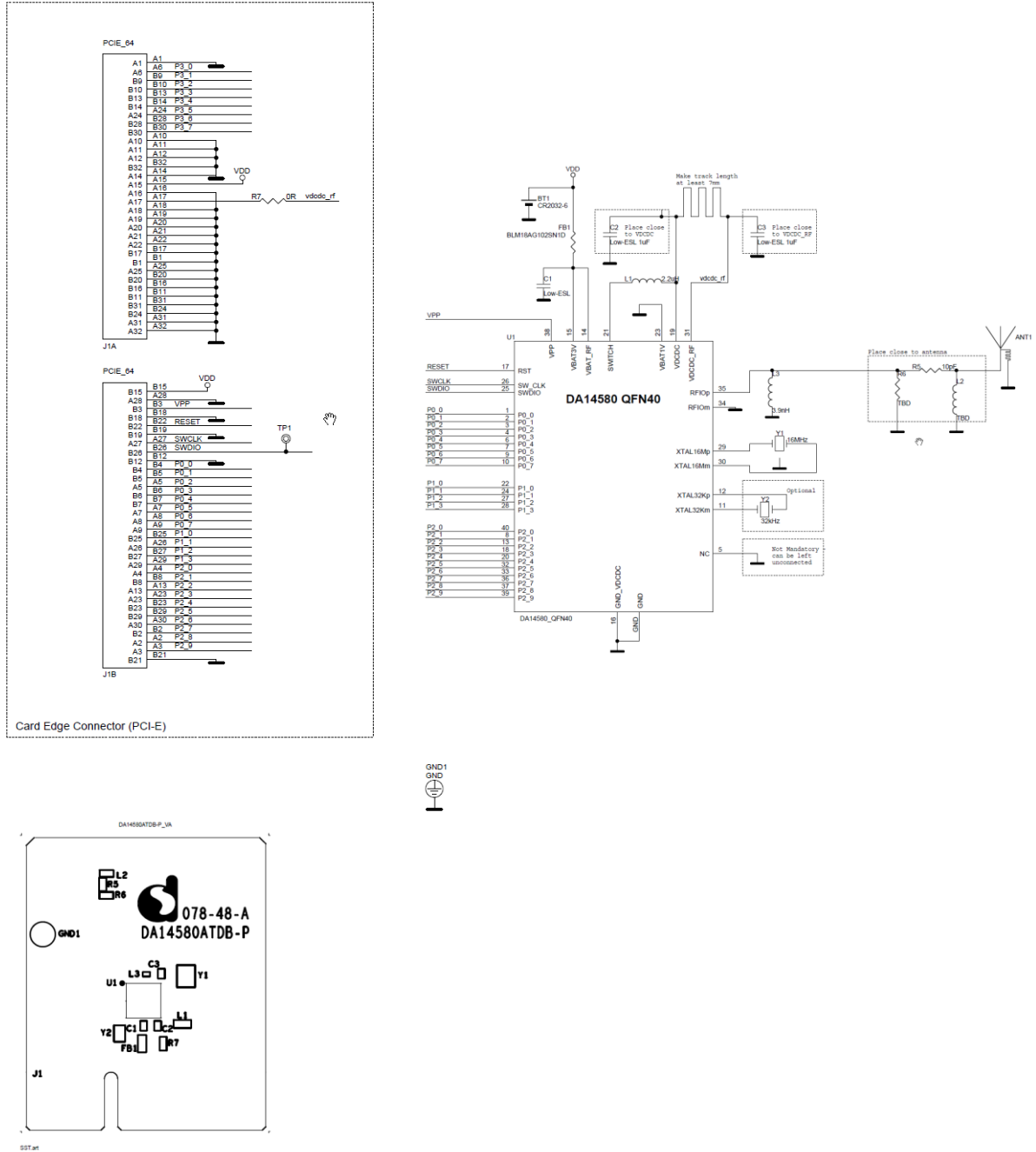


Figure 32: DA14580 QFN40 Daughterboard

# Getting started with the DA1458x Development Kit – Pro

## C.10 DA14580 QFN48 Daughterboard

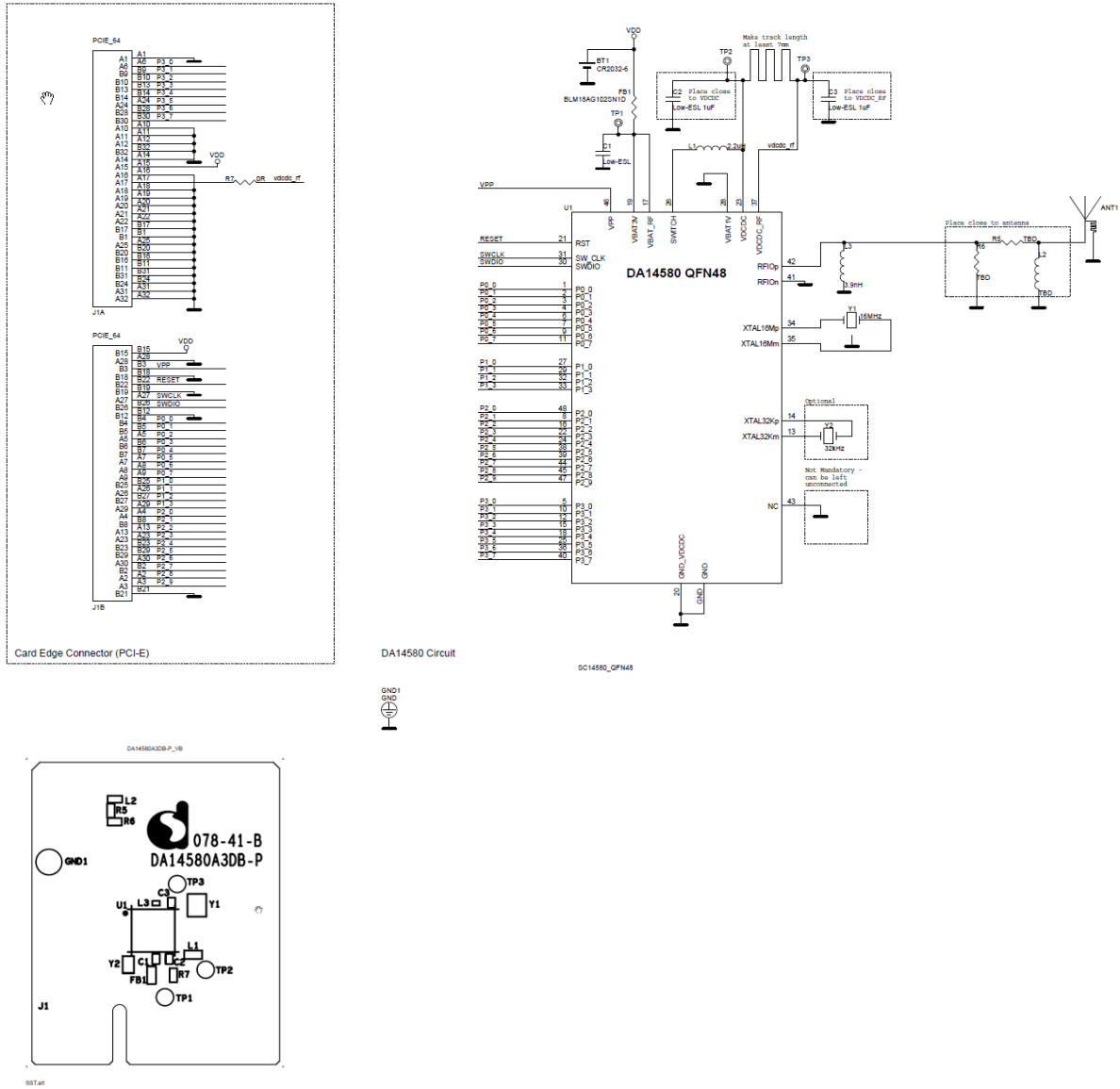
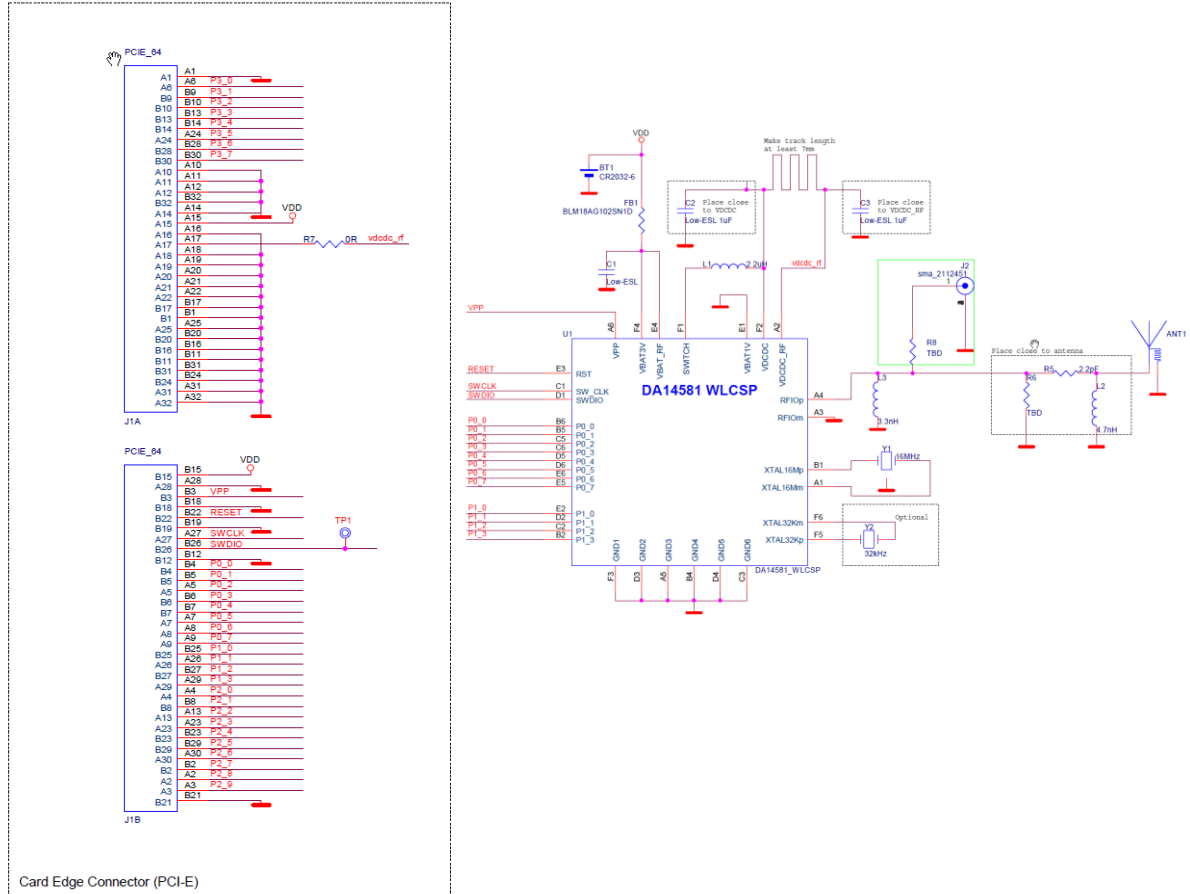


Figure 33: DA14580 QFN48 Daughterboard

# Getting started with the DA1458x Development Kit – Pro

## C.11 DA14581 WLCSP Daughterboard



Card Edge Connector (PCI-E)

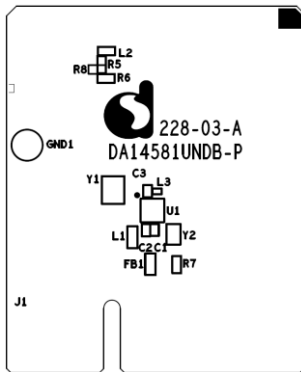


Figure 34: DA14581 WLCSP Daughterboard

## Getting started with the DA1458x Development Kit – Pro

### C.12 DA14581 QFN40 Daughterboard

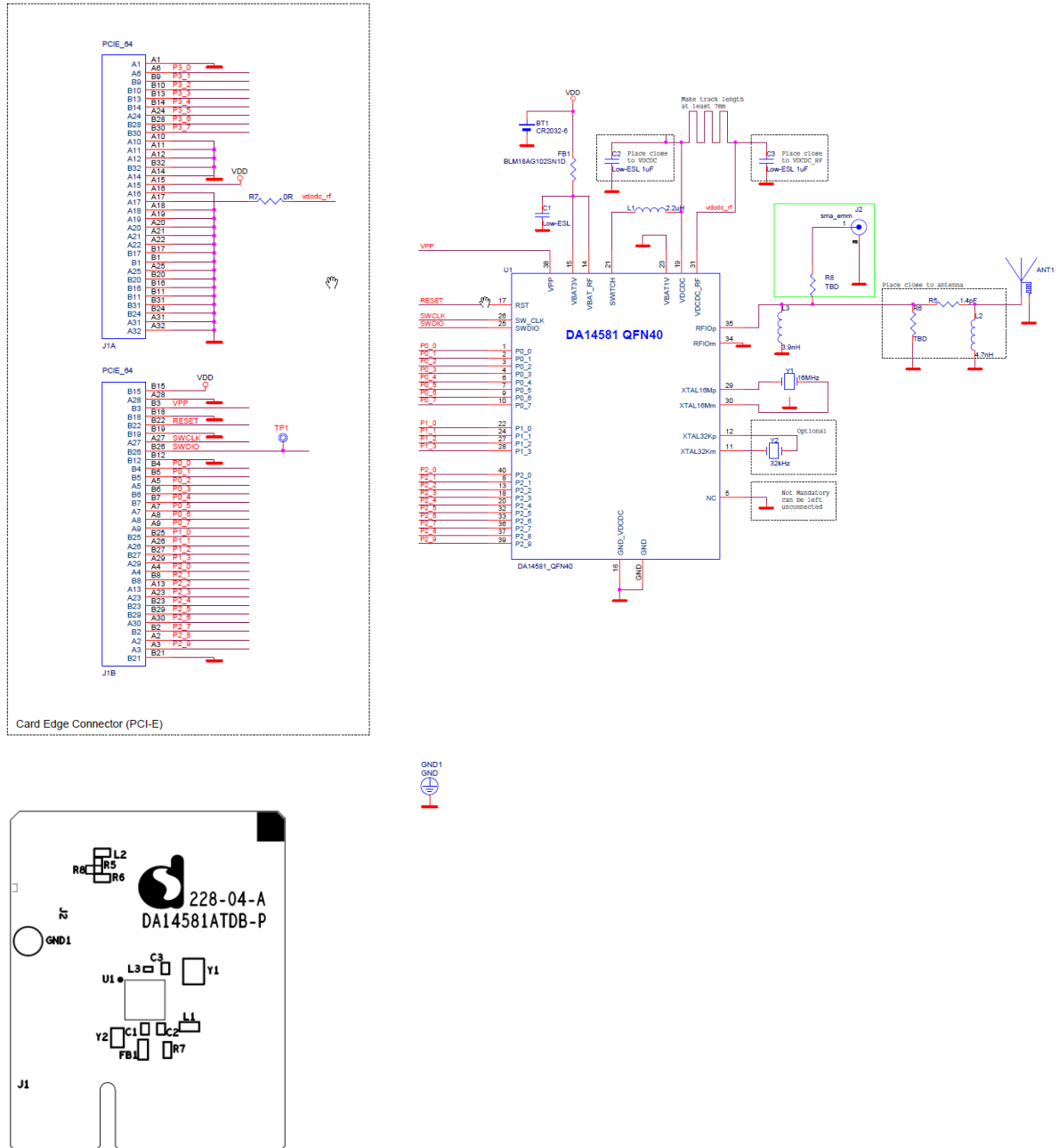
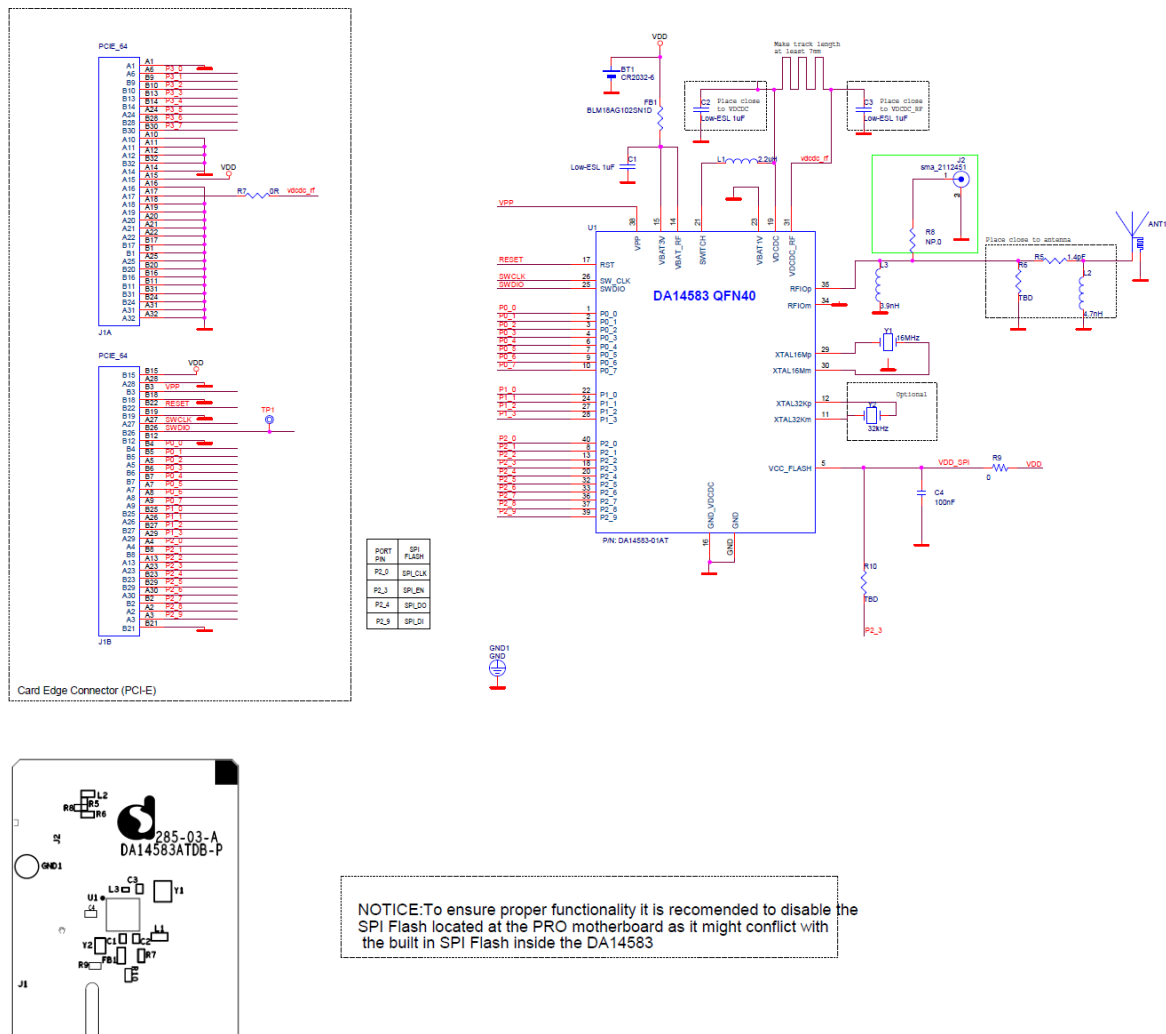


Figure 35: DA14581 QFN40 Daughterboard

# Getting started with the DA1458x Development Kit – Pro

## C.13 DA14583 QFN40 Daughterboard



NOTICE: To ensure proper functionality it is recommended to disable the SPI Flash located at the PRO motherboard as it might conflict with the built in SPI Flash inside the DA14583

Figure 36: DA14583 QFN40 Daughterboard



C.14 DA14585 WLCSP34 Daughterboard (321-3-x)

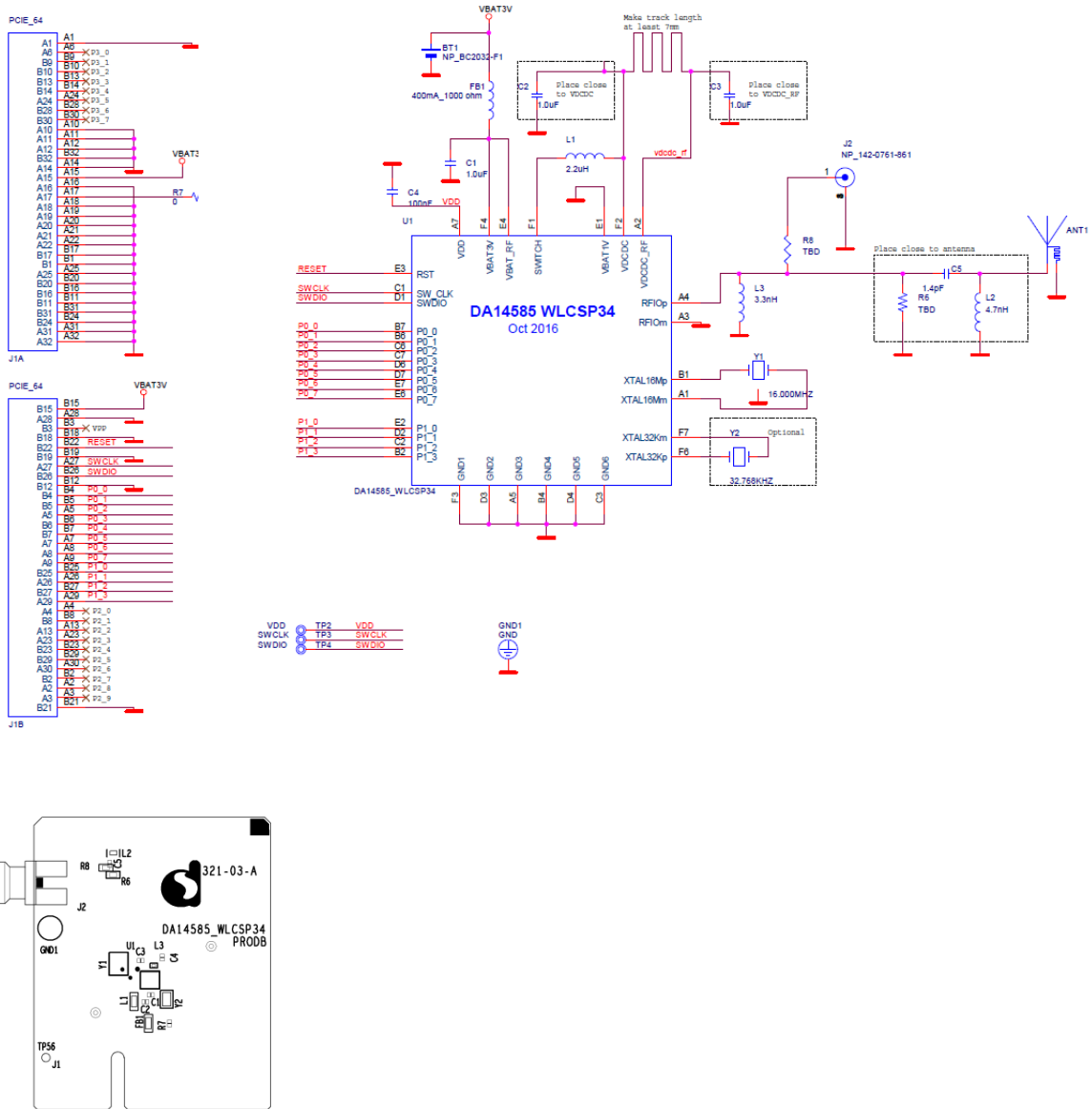


Figure 37: DA14585 WLCSP34 Daughterboard

C.15 DA14585 QFN40 Daughterboard (321-2-x)

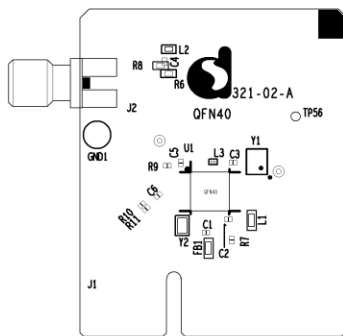
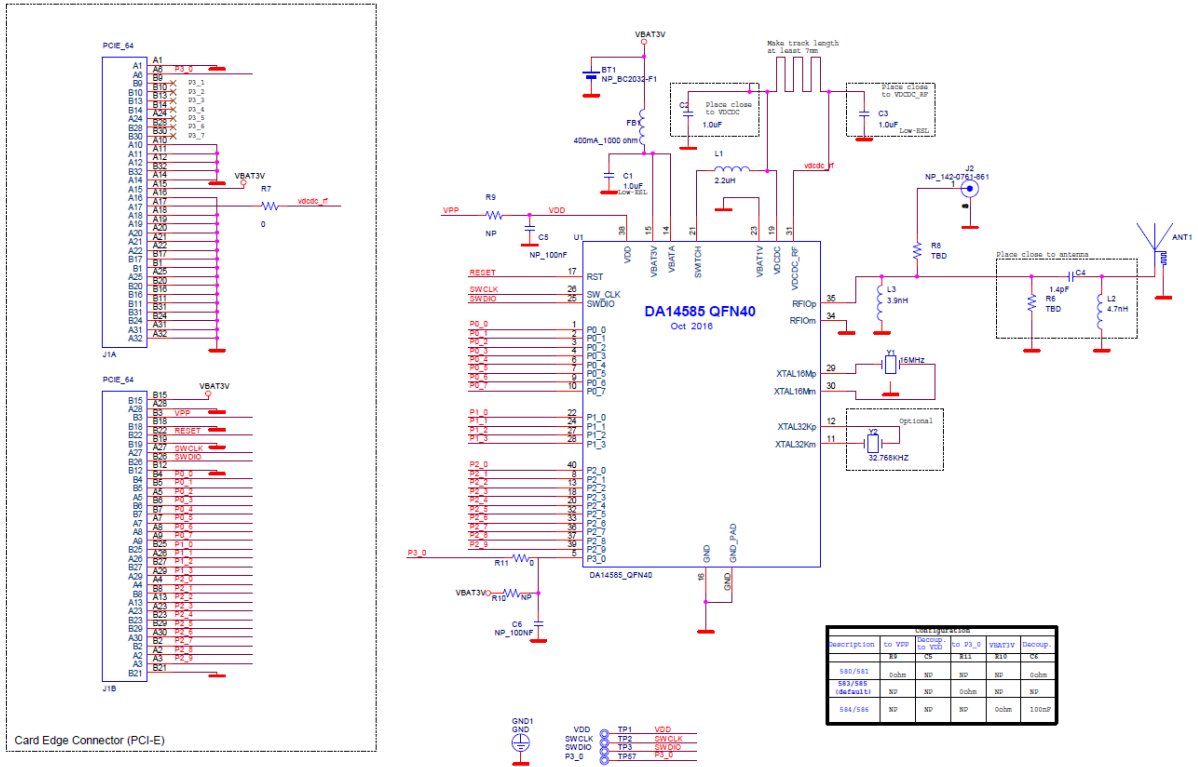


Figure 38: DA14585 QFN40 Daughterboard

Getting started with the DA1458x Development Kit – Pro

C.16 DA14586 QFN40 Daughterboard (321-2-x)

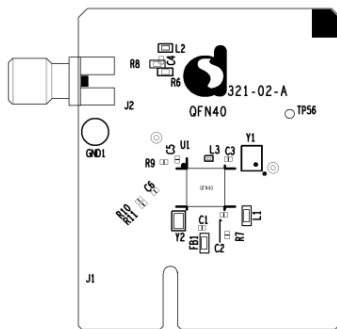
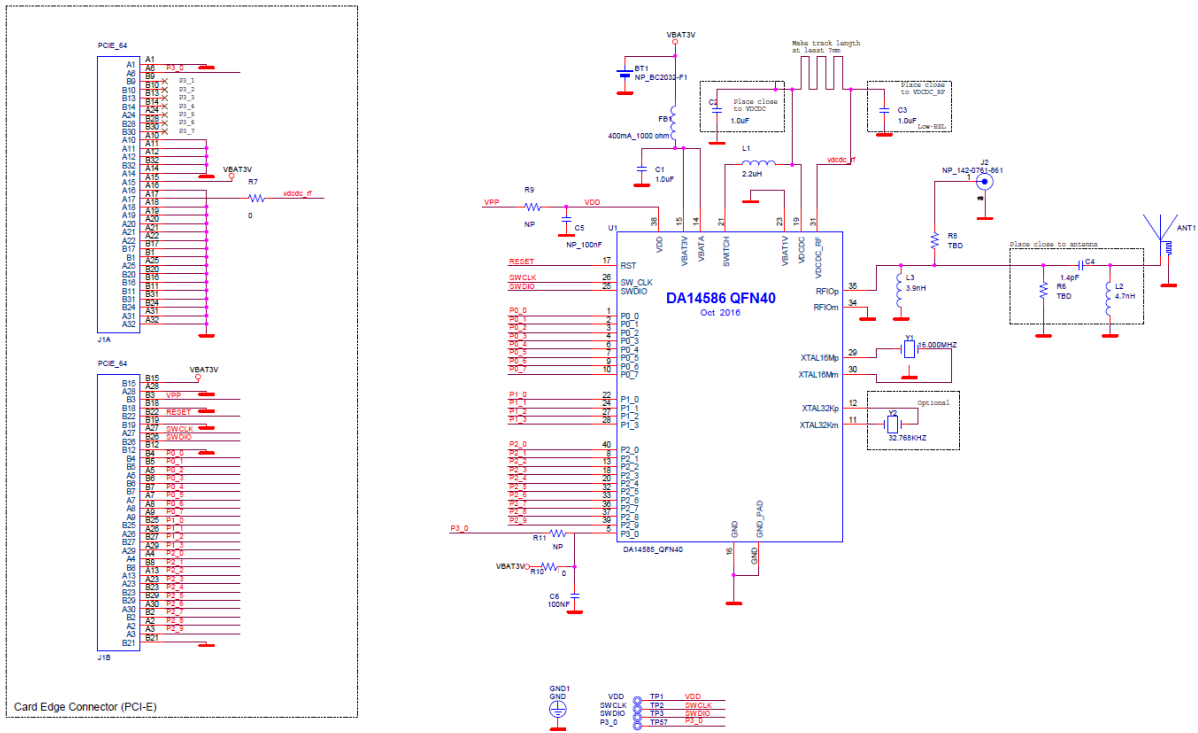


Figure 39: DA14586 QFN40 Daughterboard

Please notice that DA14585 – QFN40 and DA14586 – QFN40 designs are similar except few components assembly. Consequently same PCB is used with bill of materials (BOM) modifications:

Table 12: BOM differences between DA14585 and DA14586 designs

Component	DA14585 QFN40 Daughterboard	DA14586 QFN40 Daughterboard
U1	DA14585 – QFN40	DA14586 – QFN40
R11	0 Ohm	No mount
R10	Not mount	0 Ohm
C5	Not mount	100nF

## Appendix D Using the SmartSnippets CLI

All the information/syntaxes about the CLI can be found from the **HELP** tab in the SmartSnippets GUI or by written **Smartsnippets –help** in the CLI.

In this example, it is supposed that the SPI memory is using P0\_0 as SCK, P0\_3 as CS, P0\_5 as MISO and P0\_6 as MOSI.

First of all, the CLI can send the commands either via UART or JTAG according to the binary file which has to be loaded.

On the one hand, if the commands are going to be sent via UART, the following binary file which can be found from the resources folder of SmartSnippets has to be downloaded into the DA14580/DA14581/DA14583 using SmartSnippets:

- *flash\_programmer.bin*

On the other hand, if the commands are going to be sent via JTAG, the following binary file which can be found from the resources folder of SmartSnippets, has to be downloaded into the DA14580/DA14581/DA14583 using SmartSnippets:

- *jtag\_programmer.bin*

For additional help, please see the “HELP” in SmartSnippets as shown below:

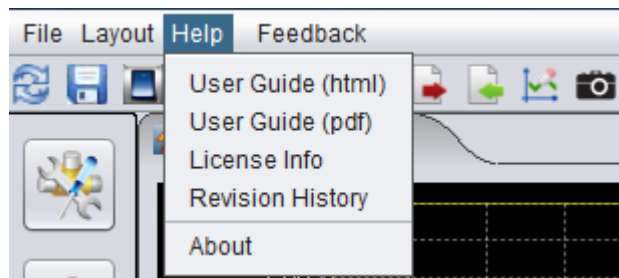


Figure 40: SmartSnippets HELP

Secondly, open the CLI by pushing the Shift button and right click on the ‘bin’ folder of the SmartSnippet and select ‘**Open command window here**’ as follow:

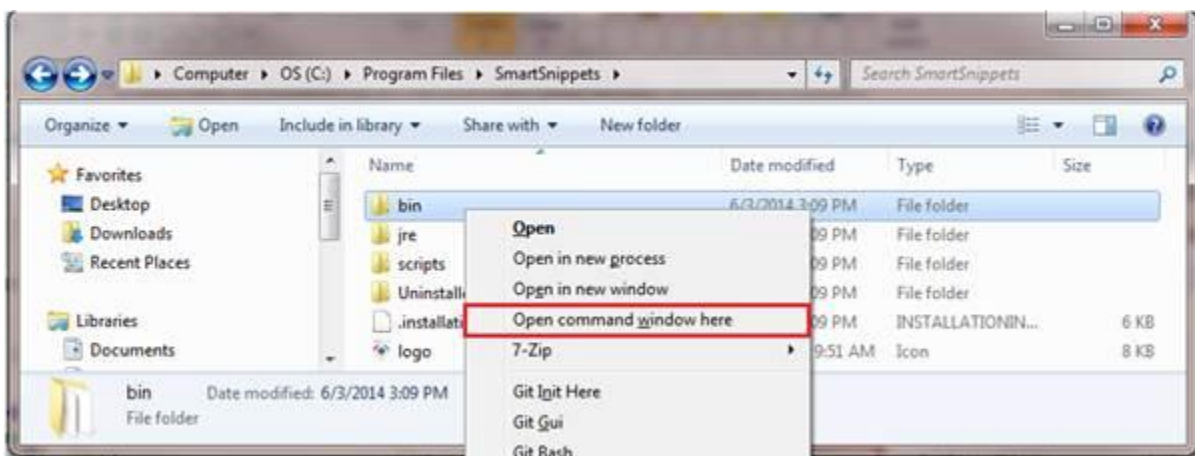


Figure 41: Open the CLI of SmartSnippets

---

## Getting started with the DA1458x Development Kit – Pro

---

Finally, in order to write a value 0x1347 (example of a 53lueetooth device address) at the address 0x93 for instance, the following command line can be written:

```
SmartSnippets.exe -type spi -chip DA14580/DA14581-01 -jtag 228202458 -cmd write_field -offset 0x93 -data 1347 -firmware "D:\SmartSnippets\resources\jtag_programmer.bin"
```

The answers should be as shown below:

```
Found SWD-DP with ID 0x0BB11477
FPUnit: 4 code (BP) slots and 0 literal slots
Found Cortex-M0 r0p0, Little endian.
BLE device DA14580 selected.
Using default GPIO pin Id: P1_2.
Using default baudrate: 57600 Bd.
Burned 2 bytes to address 0x00093.
```

Figure 42: Smart snippet CMD window

## Getting started with the DA1458x Development Kit – Pro

### Appendix E Latency Timer of FTDI cable

If an external FTDI cable is used to burn the OTP (or to download the image into the external memory), the Latency Timer of the FTDI cable has to be changed from 15ms to <10ms.

To change the Latency Timer:

Device Manager → COM port → Right click on the COM port chosen → Properties → Port Settings → Advanced → Latency Timer: set it <10ms.

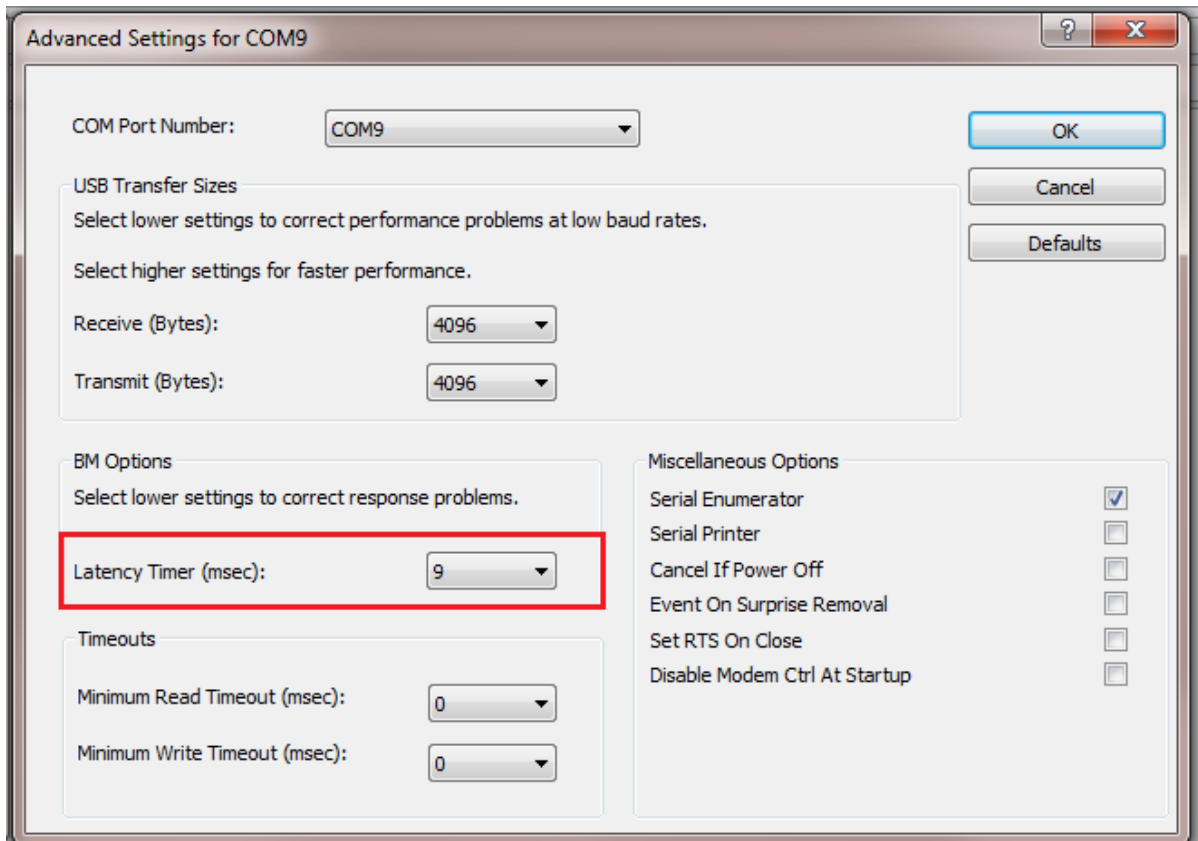


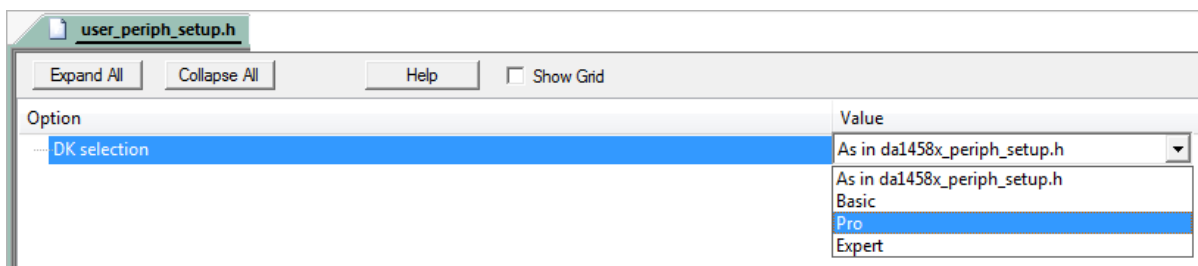
Figure 43: FTDI Latency Timer

## Getting started with the DA1458x Development Kit – Pro

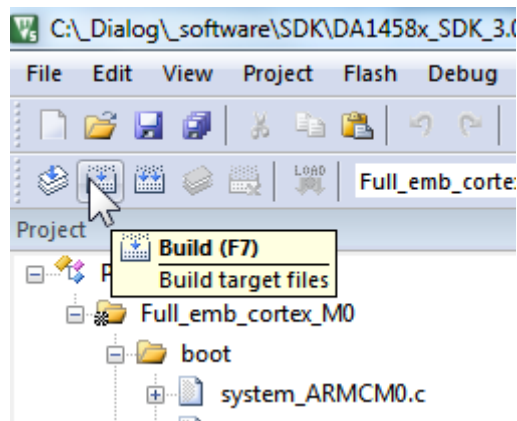
### Appendix F RF-Testing DEVKT – Pro

Follow steps to start example from SDK:

- **Step 0.** Connect DEVKT- Pro to USB-port.
- **Step 1.** For DA1458x: start KEIL via double click on project name:  
... DA1458x\_SDK\5.0.x\projects\target\_apps\ble\_examples\prox\_reporter\Keil\_5
- **Step 2.** Define HW\_CONFIG\_PRO\_DK // Pro DK  
see: user\_periph\_setup.h

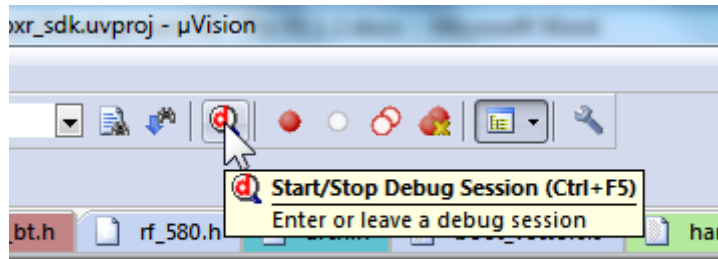


- **Step 3.** KEIL is started and press F7 for 'Building' the software.  
When the build-result is 'no errors', then got the next step.



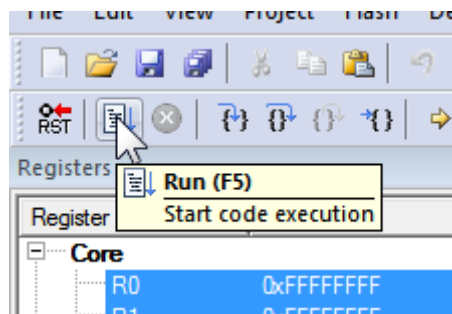
- **Step 4.** Start Debug Session (Ctrl + F5)

Getting started with the DA1458x Development Kit – Pro

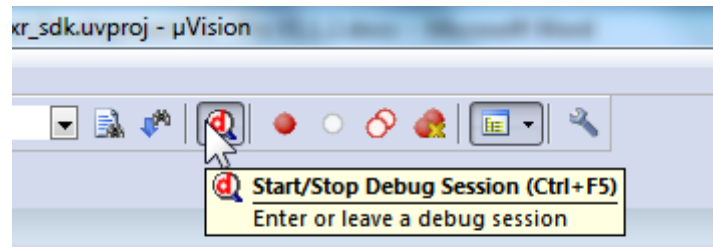


```
sleep_mode() == 2) || (app_get_sleep_mode() ==
```

- **Step 5.** Run the software by pressing 'F5'



- **Step 6.** Stop Debug Session by pressing 'Ctrl + F5'  
Software will start running now!



```
Init
: @0x20000500
```

- **Step 7.** Check via 'Bluetooth scanning software' whether the RF-part of the DEVKT – Pro is working.  
This software is available for iPhone and Android phone as an App.



Getting started with the DA1458x Development Kit – Pro

Appendix G Battery connection ‘workaround’

There is a small hardware malfunction. When the board operates on battery (J11 jumper on 2-3), the RST-signal is permanently high. When USB is disconnected, then T\_RESET becomes low. After inverter U7 RST is high. In this case the board will not operate.

Workaround is the dismounting of R84.

In [Figure 44](#) the Reset circuitry is shown.

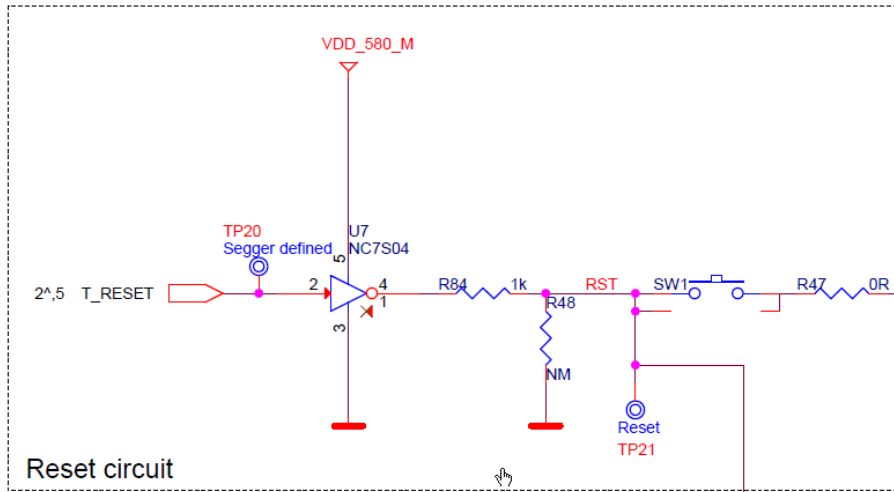


Figure 44: Reset circuitry. R84 to be dismantled.

In [Figure 45](#) the location of R84 is shown.

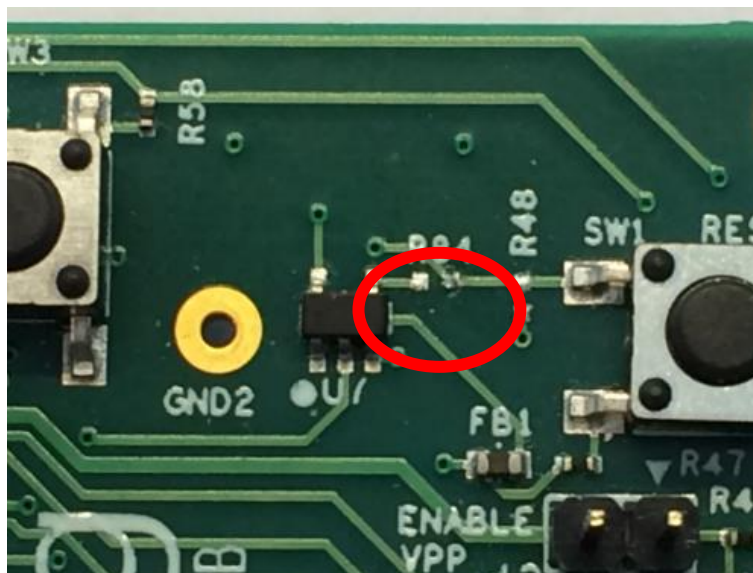


Figure 45: Location of R84

## Appendix H Power bouncing workaround

DA14585/6 daughterboards are supplied from PRO-Motherboard thru a jumper in header J11.

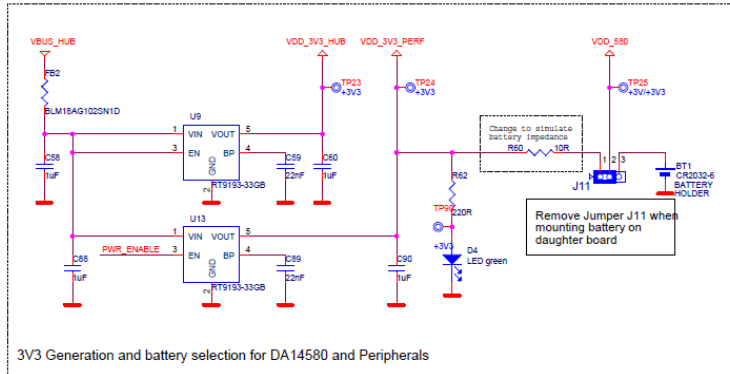
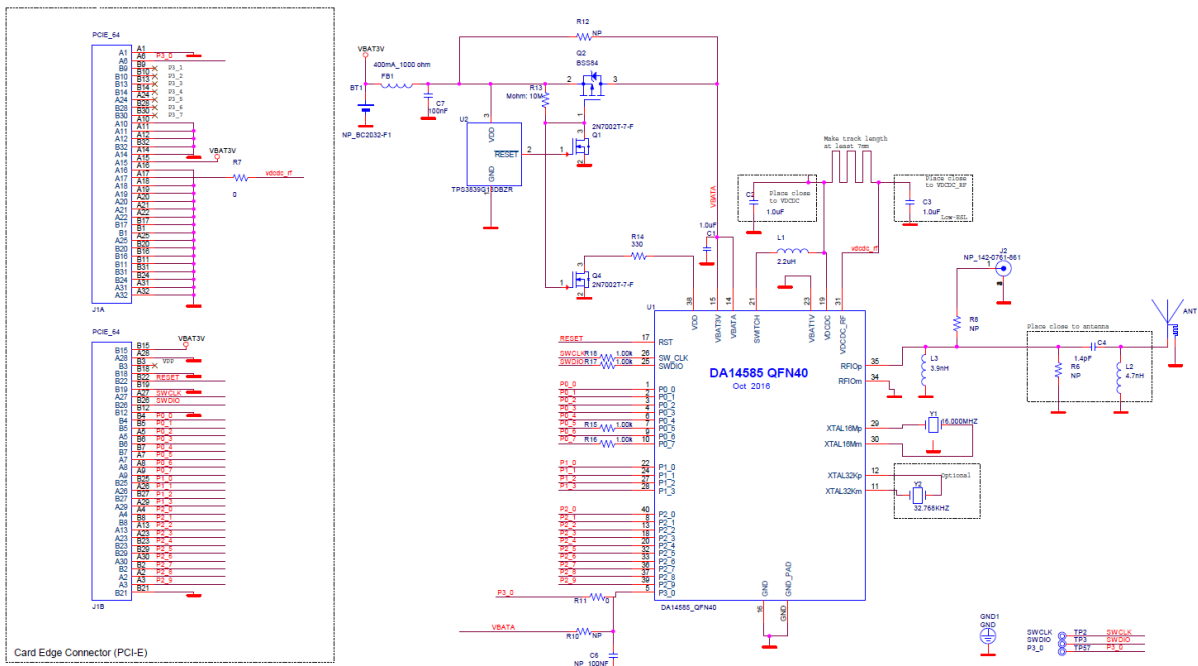


Figure 46: PRO-Motherboard power jumper

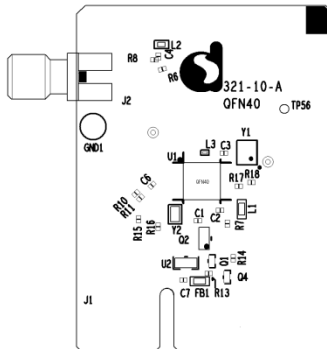
Insertion of this jumper when the daughterboards is mounted on the PRO-motherboard may cause bouncing issues. A hardware workaround is implemented on DA14585 and DA14586 QFN40 daughterboards.



---

**Getting started with the DA1458x Development Kit – Pro**

---



**Figure 47:** DA14585/6 QFN40 Daughterboard (321-10-x)

## 5 Web-Link

All support info:

- <http://support.dialog-semiconductor.com>

---

## Getting started with the DA1458x Development Kit – Pro

---

### Revision history

Revision	Date	Description
1.0	27-Aug-2015	Initial version for DA1458x family with SDK 5.
1.1	20-Oct-2015	Minor Update in Keil installation instructions.
1.2	30-Mar-2017	Add DA14585/586

## Getting started with the DA1458x Development Kit – Pro

### Status definitions

Status	Definition
DRAFT	The content of this document is under review and subject to formal approval, which may result in modifications or additions.
APPROVED or unmarked	The content of this document has been approved for publication.

### Disclaimer

Information in this document is believed to be accurate and reliable. However, Dialog Semiconductor does not give any representations or warranties, expressed or implied, as to the accuracy or completeness of such information. Dialog Semiconductor furthermore takes no responsibility whatsoever for the content in this document if provided by any information source outside of Dialog Semiconductor.

Dialog Semiconductor reserves the right to change without notice the information published in this document, including without limitation the specification and the design of the related semiconductor products, software and applications.

Applications, software, and semiconductor products described in this document are for illustrative purposes only. Dialog Semiconductor makes no representation or warranty that such applications, software and semiconductor products will be suitable for the specified use without further testing or modification. Unless otherwise agreed in writing, such testing or modification is the sole responsibility of the customer and Dialog Semiconductor excludes all liability in this respect.

Customer notes that nothing in this document may be construed as a license for customer to use the Dialog Semiconductor products, software and applications referred to in this document. Such license must be separately sought by customer with Dialog Semiconductor.

All use of Dialog Semiconductor products, software and applications referred to in this document are subject to Dialog Semiconductor's [Standard Terms and Conditions of Sale](#), unless otherwise stated.

© Dialog Semiconductor. All rights reserved.

### RoHS Compliance

Dialog Semiconductor complies to European Directive 2001/95/EC and from 2 January 2013 onwards to European Directive 2011/65/EU concerning Restriction of Hazardous Substances (RoHS/RoHS2).

Dialog Semiconductor's statement on RoHS can be found on the customer portal <https://support.diasemi.com/>. RoHS certificates from our suppliers are available on request.

## Contacting Dialog Semiconductor

#### United Kingdom (Headquarters)

*Dialog Semiconductor (UK) LTD*  
Phone: +44 1793 757700

#### Germany

*Dialog Semiconductor GmbH*  
Phone: +49 7021 805-0

#### The Netherlands

*Dialog Semiconductor B.V.*

#### North America

*Dialog Semiconductor Inc.*  
Phone: +1 408 845 8500

#### Japan

*Dialog Semiconductor K. K.*  
Phone: +81 3 5425 4567

#### Taiwan

*Dialog Semiconductor Taiwan*

#### Singapore

*Dialog Semiconductor Singapore*  
Phone: +65 64 8499 29

#### Hong Kong

*Dialog Semiconductor Hong Kong*  
Phone: +852 3769 5200

#### Korea

*Dialog Semiconductor Korea*

#### China (Shenzhen)

*Dialog Semiconductor China*  
Phone: +86 755 2981 3669

#### China (Shanghai)

*Dialog Semiconductor China*  
Phone: +86 21 5424 9058

---

---

## Getting started with the DA1458x Development Kit – Pro

Phone: +31 73 640 8822

Phone: +886 281 786 222

Phone: +82 2 3469 8200

Email:

[enquiry@diasemi.com](mailto:enquiry@diasemi.com)

Web site:

[www.dialog-semiconductor.com](http://www.dialog-semiconductor.com)

## X-ON Electronics

Largest Supplier of Electrical and Electronic Components

*Click to view similar products for [Bluetooth Development Tools - 802.15.1 category](#):*

*Click to view products by [Dialog Semiconductor manufacturer](#):*

Other Similar products are found below :

[DA14580PRODTLKT](#) [1628](#) [MBH7BLZ02-EF-KIT](#) [CYBLE-014008-PROG](#) [FWM7BLZ20-EB-KIT](#) [ATSAMB11ZR-XPRO](#) [SKY66111-21EK1](#) [SECO-RSL10-TAG-GEVB](#) [3026](#) [MIKROE-2471](#) [MOD-NRF8001](#) [BLE-IOT-GEVB](#) [450-0184](#) [MIKROE-2399](#) [EKSHCNZXZ](#) [EVAL\\_PAN1026](#) [EVAL\\_PAN1720](#) [EVAL\\_PAN1740](#) [2267](#) [2479](#) [2487](#) [2633](#) [STEVAL-IDB005V1D](#) [STEVAL-IDB001V1](#) [MIKROE-2545](#) [SIPKITSLF001](#) [2995](#) [STEVAL-IDB007V1M](#) [2829](#) [DFR0267](#) [DFR0296](#) [DFR0492](#) [TEL0073](#) [BM-70-CDB](#) [WSM-BL241-ADA-008DK](#) [STEVAL-BTDP1](#) [ACD52832](#) [TEL0095](#) [ISP1507-AX-TB](#) [RN-4871-PICTAIL](#) [DA14695-00HQDEVKT-P](#) [DA14695-00HQDEVKT-U](#) [EVK-NINA-B112](#) [EBSHJNZXZ](#) [EKSHJNZXZ](#) [BMD-200-EVAL-S](#) [ACN BREAKOUT BOARD](#) [ACN SKETCH](#) [2269](#) [2746](#)