

## AC/DC Advanced Digital Power Controller for Single-Stage Dimmable LED Drivers

### 1 Description

The iW3688 is a single-stage, high-performance AC/DC off-line power supply controller for dimmable LED luminaires. It applies advanced digital control technology to detect the dimmer type, enabling it to provide dynamic impedance to interface with the dimmer and to control the LED brightness at the same time.

With advanced dimmer detection technology, the iW3688 can operate with most wall dimmers including leading-edge dimmers (R-type or R-L type), trailing-edge dimmers (R-C type), and smart dimmers. In addition, the iW3688's cycle-by-cycle waveform analysis technology allows for fast dimmer transient response.



In no-dimmer mode, the iW3688 operates the main power converter that delivers current to the LED load in quasi-resonant mode to provide high power efficiency and low electro-magnetic interference (EMI). When there is no dimmer on the line, the iW3688 optimizes the power factor and minimizes the current harmonic distortion to the AC line. The commonly utilized converter topologies for iW3688 are buck-boost and flyback.

The iW3688 uses patented PrimAccurate™ primary-side sensing technology to achieve excellent LED current regulation under different AC line and LED load voltages, without using a secondary-side feedback circuit and thus eliminating the need for an optocoupler.

The iW3688 minimizes the external components count by simplifying the EMI filter with Dialog's EZ-EMI® technology, and by integrating current sink, switching, and  $V_{CC}$  charging circuit. Additionally, the iW3688 does not require an auxiliary winding, which eliminates the need for a custom inductor. The digital control loop of the iW3688 maintains stability over all operating conditions without the need for loop compensation components.

### 2 Features

- Isolated/non-isolated off-line  $120V_{AC}/230V_{AC}$  LED driver up to 20W output power
- Wide line frequency range (from 45Hz to 66Hz)
- Meets IEC61000-3-2 current harmonic requirement
- Total harmonic distortion < 20% with PF > 0.92
- Excellent dimmer compatibility
  - » Leading-edge dimmer
  - » Trailing-edge dimmer
  - » Digital smart dimmer
- Wide dimming range of 1% to 100%
- Intelligent digital control integrating current sink function into power switching circuit
- Advanced IC power management and voltage sensing enables the use of off-the-shelf inductor
- Resonant control to achieve high efficiency (typical > 85% without dimmer)
- Excellent AC line distortion immunity ensures quality of product under real-life circumstances
- Over-temperature LED current foldback and shutdown
- Tight LED current regulation ( $\pm 5\%$ )
- Fast start-up (< 0.5s without dimmer)
- Multiple protection features that include:
  - » LED open-circuit and short-circuit protection
  - » Current sensing resistor open circuit and short-circuit protection
  - » AC line over-voltage protection
  - » Over-current protection

### 3 Applications

- Dimmable LED retrofit lamps up to 20W
- Dimmable LED luminaires up to 20W



AC/DC Advanced Digital Power Controller for Single-Stage Dimmable LED Drivers

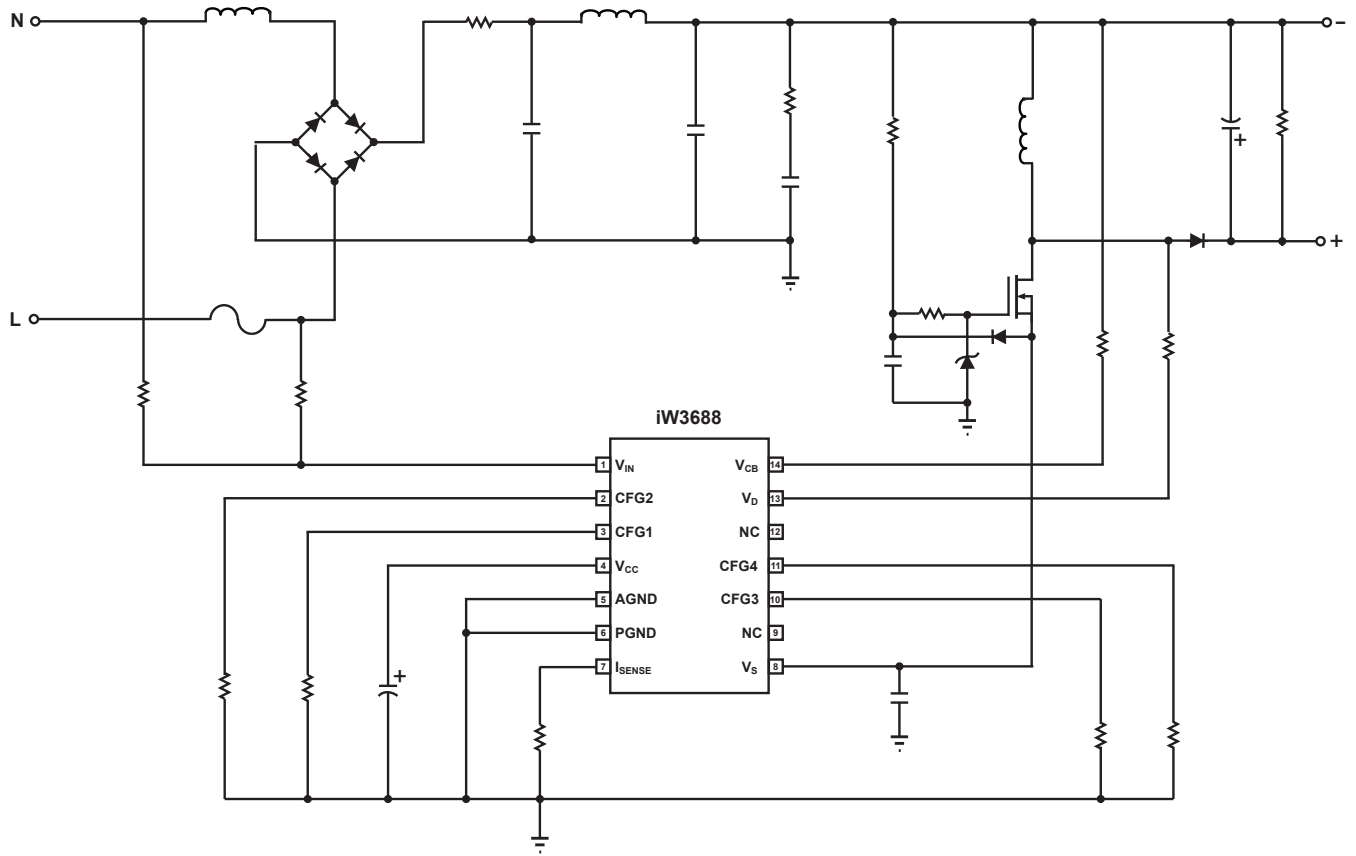


Figure 3.1 : iW3688 Simplified Application Circuit

## AC/DC Advanced Digital Power Controller for Single-Stage Dimmable LED Drivers

### 4 Pinout Description

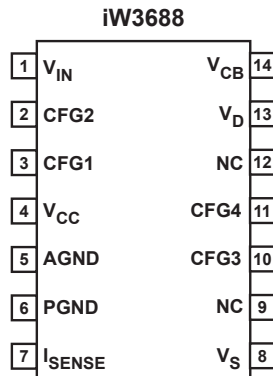


Figure 4.1 : 14-Lead SOIC-14 Package

Pin Number	Pin Name	Type	Pin Description
1	V <sub>IN</sub>	Analog Input	Rectified AC line voltage input.
2	CFG2	Analog Input	Used for dimming mode configuration. See the applications section for additional information.
3	CFG1	Analog Input	Configures OTP threshold on start-up. See the applications section for configuration information.
4	V <sub>CC</sub>	Power	Power supply for control logic.
5	AGND	Ground	Signal ground. It should be connected to the power ground on PCB.
6	PGND	Ground	Power ground.
7	I <sub>SENSE</sub>	Analog Input	Current sense.
8	V <sub>S</sub>	Analog Input	Source voltage of MOSFET.
9	NC	No Connection	Not internally connected.
10	CFG3	Analog Input	Used for dimming mode configuration. See the applications section for additional information.
11	CFG4	Analog Input	Used for dimming mode configuration. See the applications section for additional information.
12	NC	No Connection	Not internally connected.
13	V <sub>D</sub>	Analog Input	Drain voltage of MOSFET.
14	V <sub>CB</sub>	Analog Input	Input capacitor voltage after EMI filter.

## AC/DC Advanced Digital Power Controller for Single-Stage Dimmable LED Drivers

### 5 Absolute Maximum Ratings

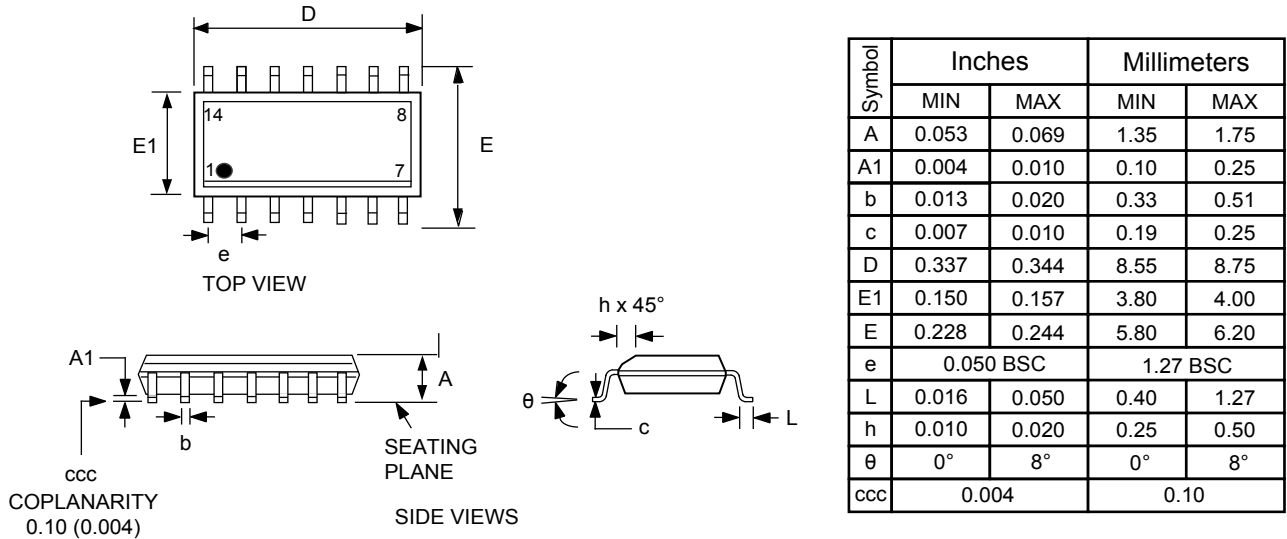
Absolute maximum ratings are the parameter values or ranges which can cause permanent damage if exceeded.

Parameter	Symbol	Value	Units
DC supply voltage range (pin 4)	$V_{CC}$	-0.3 to 6	V
$V_{IN}$ input (pin 1)		-0.3 to 6	V
CFG1 input (pin 3)		-0.3 to 6	V
CFG2 input (pin 2)		-0.3 to 20	V
$I_{SENSE}$ input (pin 7)		-0.3 to 6	V
$V_S$ input (pin 8)		-0.3 to 20	V
CFG3 input (pin 10)		-0.3 to 6	V
CFG4 input (pin 11)		-0.3 to 20	V
$V_D$ input voltage (pin 13)		-0.3 to 6	V
$V_{CB}$ input voltage (pin 14)		-0.3 to 6	V
Maximum $V_D$ input current (pin 13)	$I_{IN(VD)}$	750	$\mu A$
Maximum $V_{CB}$ input current (pin 14)	$I_{IN(VCB)}$	750	$\mu A$
Maximum junction temperature	$T_{JMAX}$	150	$^{\circ}C$
Operating junction temperature	$T_{JOPT}$	-40 to 150	$^{\circ}C$
Storage temperature	$T_{STG}$	-65 to 150	$^{\circ}C$
Thermal resistance junction-to-PCB [gnd lead]	$\psi_{JB}$	45	$^{\circ}C/W$
ESD rating per JEDEC JESD22-A114		$\pm 1,000$	V
Latch-up test per JESD78A		$\pm 100$	mA

## AC/DC Advanced Digital Power Controller for Single-Stage Dimmable LED Drivers

### 6 Physical Dimensions

14-Lead SOIC Package



Compliant to JEDEC Standard MS12F

Controlling dimensions are in inches; millimeter dimensions are for reference only

This product is RoHS compliant and Halide free.

Soldering Temperature Resistance:

[a] Package is IPC/JEDEC Std 020D Moisture Sensitivity Level 1

[b] Package exceeds JEDEC Std No. 22-A111 for Solder Immersion Resistance; package can withstand 10 s immersion < 260°C

Dimension D does not include mold flash, protrusions or gate burrs. Mold flash, protrusions or gate burrs shall not exceed 0.15 mm per end. Dimension E does not include interlead flash or protrusion. Interlead flash or protrusion shall not exceed 0.25 mm per side.

The package top may be smaller than the package bottom. Dimensions D and E are determined at the outermost extremes of the plastic body exclusive of mold flash, tie bar burrs, gate burrs and interlead flash, but including any mismatch between the top and bottom of the plastic body.

Figure 6.1 : 14-Lead SOIC Package

### 7 Ordering Information

Part No.	Options	Package	Description
iW3688-00	120V <sub>AC</sub> Input for up to 14W	SOIC-14	Tape & Reel <sup>1</sup>
iW3688-01	230V <sub>AC</sub> Input for up to 14W	SOIC-14	Tape & Reel <sup>1</sup>
iW3688-01-CA	230V <sub>AC</sub> Input with lighting chopping enable for thermal improvement up to 20W	SOIC-14	Tape & Reel <sup>1</sup>
iW3688-10	120V <sub>AC</sub> Input with light chopping enabled for thermal improvement up to 20W	SOIC-14	Tape & Reel <sup>1</sup>
iW3688-20	120V <sub>AC</sub> Input for 15W – 20W	SOIC-14	Tape & Reel <sup>1</sup>
iW3688-21	230V <sub>AC</sub> Input for 15W – 20W	SOIC-14	Tape & Reel <sup>1</sup>
iW3688-30	Universal Input for up to 14W	SOIC-14	Tape & Reel <sup>1</sup>

Note 1: Tape & Reel packing quantity is 2,500/reel. Minimum ordering quantity is 2,500.

## AC/DC Advanced Digital Power Controller for Single-Stage Dimmable LED Drivers

### Disclaimer

Information in this document is believed to be accurate and reliable. However, Dialog Semiconductor does not give any representations or warranties, expressed or implied, as to the accuracy or completeness of such information. Dialog Semiconductor furthermore takes no responsibility whatsoever for the content in this document if provided by any information source outside of Dialog Semiconductor.

Dialog Semiconductor reserves the right to change without notice the information published in this document, including without limitation the specification and the design of the related semiconductor products, software and applications.

Applications, software, and semiconductor products described in this document are for illustrative purposes only. Dialog Semiconductor makes no representation or warranty that such applications, software and semiconductor products will be suitable for the specified use without further testing or modification. Unless otherwise agreed in writing, such testing or modification is the sole responsibility of the customer and Dialog Semiconductor excludes all liability in this respect.

Customer notes that nothing in this document may be construed as a license for customer to use the Dialog Semiconductor products, software and applications referred to in this document. Such license must be separately sought by customer with Dialog Semiconductor.

All use of Dialog Semiconductor products, software and applications referred to in this document are subject to Dialog Semiconductor's [Standard Terms and Conditions of Sale](#), unless otherwise stated.

© Dialog Semiconductor. All rights reserved.

### RoHS Compliance

Dialog Semiconductor complies to European Directive 2001/95/EC and from 2 January 2013 onwards to European Directive 2011/65/EU concerning Restriction of Hazardous Substances (RoHS/RoHS2).

Dialog Semiconductor's statement on RoHS can be found on the customer portal <https://support.diasemi.com/>. RoHS certificates from our suppliers are available on request.

## Contacting Dialog Semiconductor

#### United Kingdom

*Dialog Semiconductor (UK) Ltd*  
Phone: +44 1793 757700

#### Germany

*Dialog Semiconductor GmbH*  
Phone: +49 7021 805-0

#### The Netherlands

*Dialog Semiconductor B.V.*  
Phone: +31 73 640 88 22

#### Email

[info\\_pcbg@diasemi.com](mailto:info_pcbg@diasemi.com)

#### North America

*Dialog Semiconductor Inc.*  
Phone: +1 408 845 8500

#### Japan

*Dialog Semiconductor K. K.*  
Phone: +81 3 5425 4567

#### Taiwan

*Dialog Semiconductor Taiwan*  
Phone: +886 281 786 222

#### Web site:

[www.dialog-semiconductor.com](http://www.dialog-semiconductor.com)

#### Singapore

*Dialog Semiconductor Singapore*  
Phone: +65 648 499 29

#### Hong Kong

*Dialog Semiconductor Hong Kong*  
Phone: +852 2607 4271

#### Korea

*Dialog Semiconductor Korea*  
Phone: +82 2 3469 8200

#### China

*Dialog Semiconductor (Shenzhen)*  
Phone: +86 755 2981 3669

*Dialog Semiconductor (Shanghai)*

Phone: +86 21 5424 9058

## X-ON Electronics

Largest Supplier of Electrical and Electronic Components

*Click to view similar products for [LED Display Drivers](#) category:*

*Click to view products by [Dialog Semiconductor](#) manufacturer:*

Other Similar products are found below :

[MAP9000QNRH](#) [AP5726WUG-7](#) [AL8806QMP-13](#) [AP5726FDCG-7](#) [AS3693B-ZTQT](#) [AP5725WUG-7](#) [MAX139EQH+D](#) [STP16DP05PTR](#)  
[STP16CPP05PTR](#) [STP16CPP05XTTR](#) [LV5236VZ-TLM-H](#) [BP9911CC](#) [ZXLD1366QEN8TC](#) [MT7725D](#) [TX6143](#) [SY6813PEC](#) [SD1002L4](#)  
[AW3643CSR](#) [MP3370GN-Z](#) [LA2284L-G09-T](#) [SEDA](#) [SCT2027CSSG](#) [LYT3315D](#) [LYT3324D](#) [LYT4211E2](#) [LYT4214E2](#) [LYT4215E2](#)  
[LYT4217E2](#) [LYT4218E2](#) [LYT4222E](#) [LYT4317E2](#) [LYT4321E](#) [LYT4323E](#) [LYT4324E3](#) [LYT4326E3](#) [TPS92020DR](#) [TPS92691PWPR](#)  
[BCR420U](#) [HV9801ALG-G](#) [IS31FL3199-QFLS2-TR](#) [IS31FL3731-QFLS2-TR](#) [CAT4238TD](#) [SCT2001ASIG](#) [SCT2024CSTG](#) [SCT2167CSOG](#)  
[SCT2167CSSG](#) [STP16CPPS05XTTR](#) [TLE4241GMFUMA1](#) [ICM7212MIQH+D](#) [ICM7212AIQH+D](#)