

## Off-Line High PF Constant-Voltage Controller with Integrated Power MOSFET

### 1 Description

The iW3827 is a high-performance single-stage AC/DC constant voltage (CV) controller with high power factor (PF) correction. This device includes an internal power FET and operates in quasi-resonant mode to provide high efficiency along with a number of key built-in features while minimizing the external component count and lowering the total bill of material cost. It supports most commonly used isolated and non-isolated topologies including flyback, buck-boost, and buck. The device operates in constant on-time mode to achieve high power factor ( $> 0.9$ ) across a wide load range. It can achieve excellent output voltage regulation over line and load variation without the need for a secondary feedback circuit. It also eliminates the need for external loop compensation while maintaining stability over all operating conditions with different types of loads, including downstream DC-DC converter, constant current (CC) load, LED load, and constant resistive (CR) load.

The iW3827 integrates a proprietary technique that adaptively adjusts output voltage limits to maintain overshoot and undershoot transients to less than 10% of the nominal output voltage for any load transient. The iW3827 operates in pulse-frequency-modulation (PFM) mode at light load to eliminate audible noise, and at the same time achieving less than 200mW no-load standby power consumption.

Dialog's innovative proprietary technology maximizes the iW3827 performance. It provides two multi-function pins that allow users to configure maximum and minimum switching frequencies for design flexibility, with no cost or size impact. In addition to providing input voltage sensing for input under-voltage protection, the  $V_{IN}$  pin also enables the active start-up scheme to achieve the shortest possible start-up time without sacrificing active efficiency.

### 2 Features

- Supports universal input ( $90V_{AC}$  -  $264V_{AC}$ ) in flyback, buck-boost and buck topologies
- Internal 650V power MOSFET delivers up to 8W output power
- **PrimAccurate™** primary-side control technology achieves very tight line and load regulation ( $\pm 3\%$ )
- $PF > 0.9$  and  $THD < 20\%$  across a wide output power range
- User-configurable minimum switching frequency (600Hz/1kHz) ensures no-load standby power consumption  $< 200mW$  at  $230V_{AC}$
- Internal loop compensation ensures stable operation under all load conditions
- Supports wide range of output capacitance
- Fast dynamic load response
- User-configurable maximum PWM switching frequency (90kHz or 120kHz)
- Built-in soft-start achieves fast and smooth start-up
- Active start-up scheme enables fast start-up
- Built-in single-point fault protection features: output over-load, output over-voltage, output short and input voltage under-voltage protections
- Built-in over-temperature protection

### 3 Applications

- Smart LED lighting
- Front-end pre-regulator



Off-Line High PF Constant-Voltage Controller with Integrated Power MOSFET

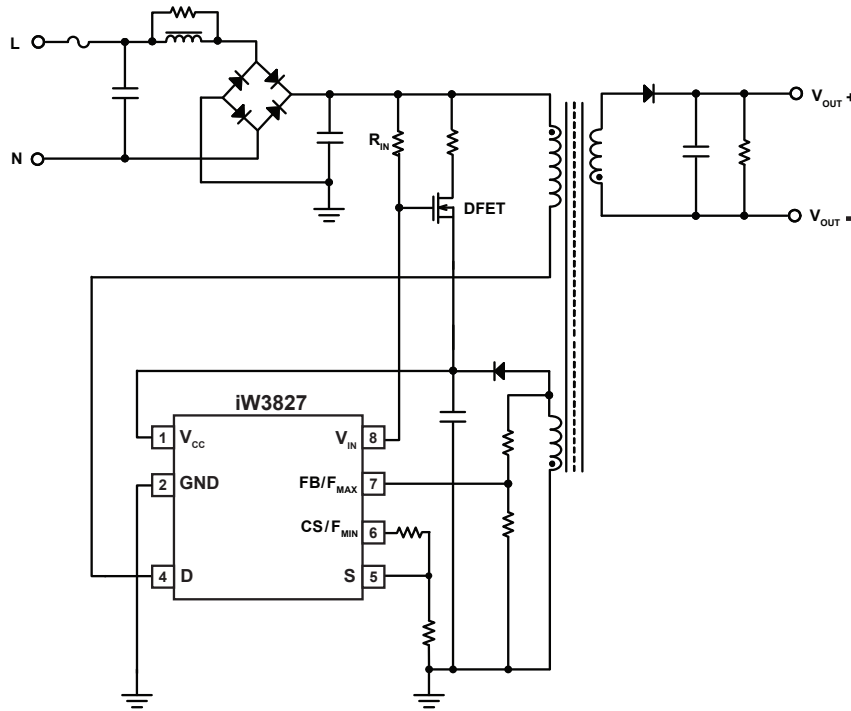


Figure 3.1 : iW3827 Typical Application Circuit (Isolated Flyback Application)

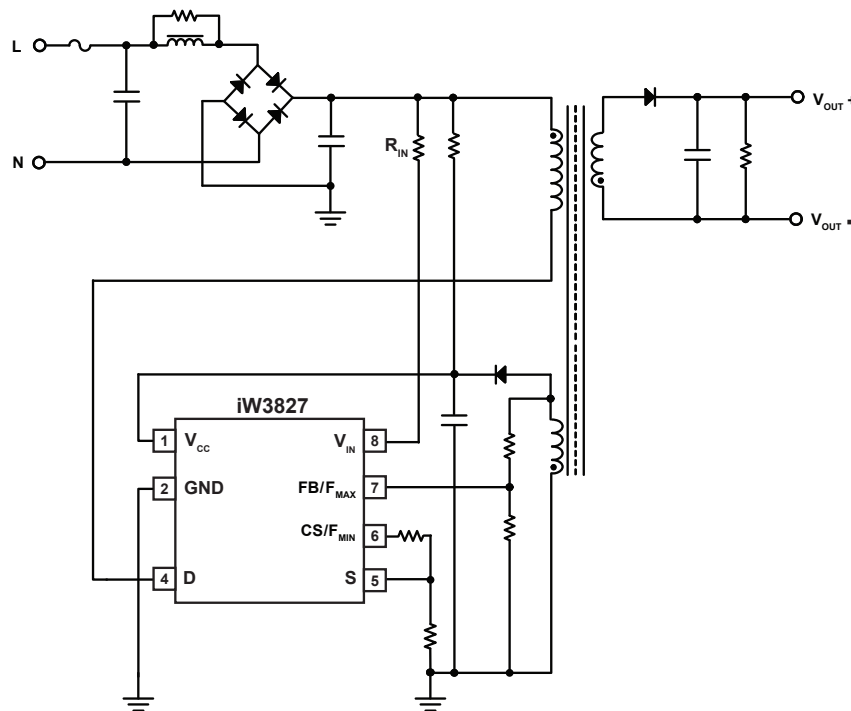


Figure 3.2 : iW3827 Typical Application Circuit (Isolated Flyback Application Without Using Active Start-up Device)

Off-Line High PF Constant-Voltage Controller with Integrated Power MOSFET

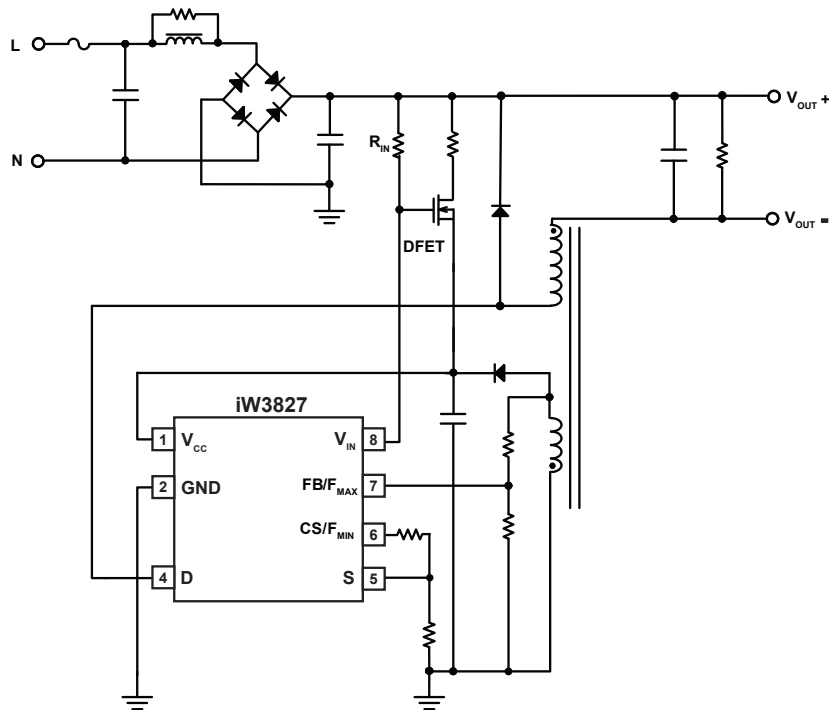


Figure 3.3 : iW3827 Typical Application Circuit (Buck Application)

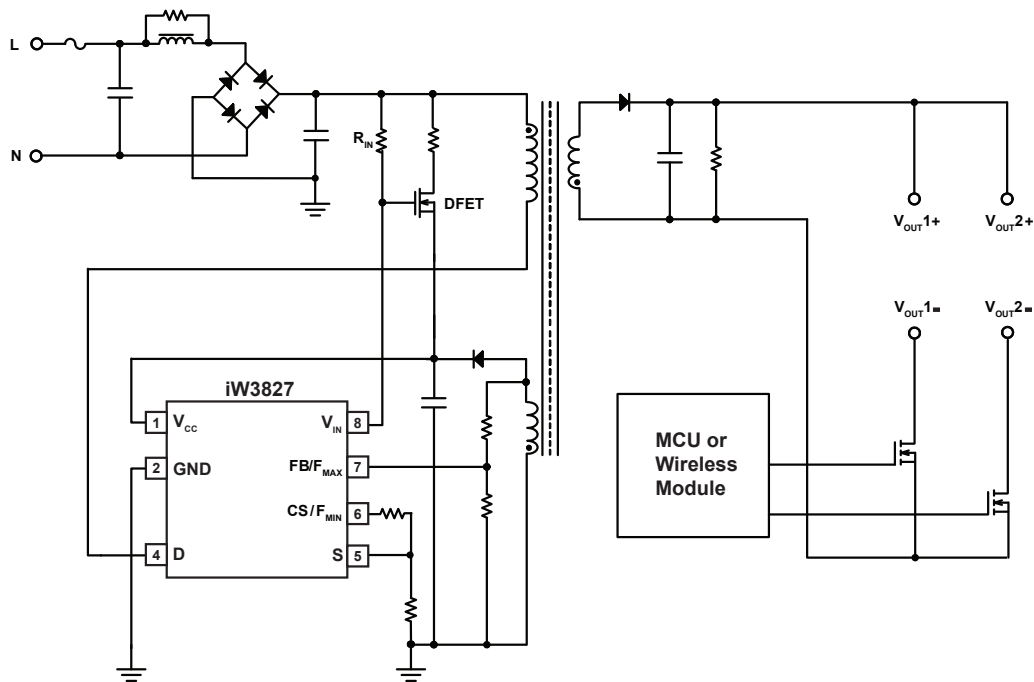


Figure 3.4 : iW3827 Typical Application Circuit (Smart Lighting)

## Off-Line High PF Constant-Voltage Controller with Integrated Power MOSFET

### 4 Pinout Description

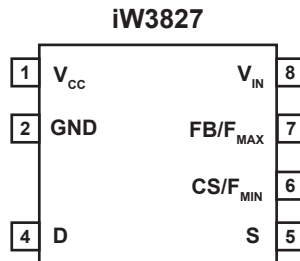


Figure 4.1 : 7-Lead SOIC Package

Pin Number	Pin Name	Type	Pin Description
1	V <sub>CC</sub>	Power Input	Power supply to control logic and MOSFET drive.
2	GND	Ground	Ground.
4	D	MOSFET Drain	Drain of the internal power MOSFET.
5	S	MOSFET Source	Source of the internal power MOSFET. Pin 5 and pin 6 can be shorted externally or install one resistor in between for configuration.
6	CS/F <sub>MIN</sub>	Analog Input	Multi-function pin. Used to configure minimum switching frequency (F <sub>MIN</sub> ) at the beginning of the start-up. It also provides primary current sense for cycle-by-cycle peak current control and limit during normal operation.
7	FB/F <sub>MAX</sub>	Analog Input	Multi-function pin. Used to configure maximum switching frequency (F <sub>MAX</sub> ), and to enable/disable over-load protection (OLP) at the beginning of start-up. It also provides output voltage sense for primary regulation during normal operation.
8	V <sub>IN</sub>	Analog Input	Multi-function pin. Used to control active start-up device and sense line voltage.

## Off-Line High PF Constant-Voltage Controller with Integrated Power MOSFET

### 5 Absolute Maximum Ratings

Absolute maximum ratings are the parameter values or ranges which can cause permanent damage if exceeded.

Parameter	Symbol	Value	Units
DC supply voltage range (pin 1, $I_{CC} = 20\text{mA max}$ )	$V_{CC}$	-0.3 to 18.0	V
Continuous DC supply current at $V_{CC}$ pin ( $V_{CC} = 15\text{V}$ )	$I_{CC}$	20	mA
$V_{IN}$ (pin 8)		-0.3 to 18.0	V
FB/ $F_{MAX}$ input (pin 7, $I_{FB/OTP} \leq 10\text{mA}$ )		-0.7 to 4.0	V
CS/ $F_{MIN}$ input (pin 6)		-0.3 to 4.0	V
Drain-source voltage	$V_{DSS}$	650	V
Continuous drain current @ $T_C = +25^\circ\text{C}$	$I_D$	2	A
Continuous drain current @ $T_C = +100^\circ\text{C}$		1.2	A
Pulsed drain current (Note 1)	$I_{DM}$	8	A
Maximum junction temperature	$T_{JMAX}$	150	$^\circ\text{C}$
Operating junction temperature	$T_{JOPT}$	-40 to 150	$^\circ\text{C}$
Storage temperature	$T_{STG}$	-65 to 150	$^\circ\text{C}$
ESD rating per JEDEC JESD22-A114		$\pm 2,000$	V
Latch-up test per JESD78D		$\pm 100$	mA

Note 1. Repetitive rating; pulse width limited by maximum junction temperature.

### 6 Thermal Characteristics

Parameter	Symbol	Value	Units
Thermal Resistance Junction-to-Ambient (Note 1)	$\theta_{JA}$	TBD	$^\circ\text{C/W}$
Thermal Resistance Junction-to-GND pin (pin 2) (Note 2)	$\psi_{JB}$	TBD	$^\circ\text{C/W}$
Thermal Resistance Junction-to-Drain pin (pin 4) (Note 2)	$\psi_{J-MOSFET}$	TBD	$^\circ\text{C/W}$
Thermal Shutdown Threshold (Note 3)	$T_{SD}$	150	$^\circ\text{C}$
Thermal Shutdown Recovery (Note 3)	$T_{SD-R}$	125	$^\circ\text{C}$

#### Notes:

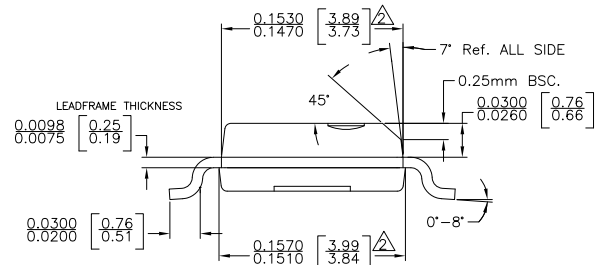
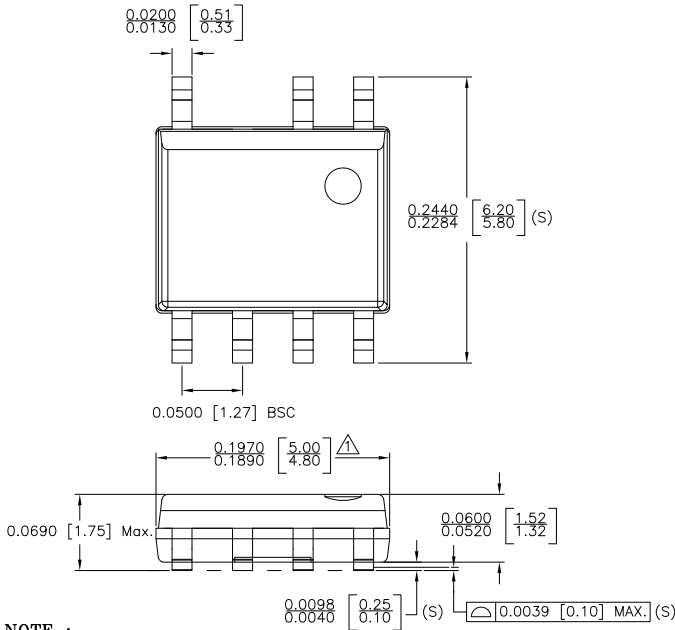
Note 1.  $\theta_{JA}$  is measured in a one-cubic-foot natural convection chamber.

Note 2.  $\psi_{JB}$  [Psi Junction to Board] provides an estimation of the die junction temperature relative to the PCB [Board] surface temperature.  $\psi_{J-MOSFET}$  [Psi Junction to Drain pin] provides an estimation of the die junction temperature relative to the Drain pin [internal MOSFET Drain] surface temperature.  $\psi_{JB}$  is measured at the ground pin (pin 2) without using any thermal adhesives.

Note 3. These parameters are typical and they are guaranteed by design.

**Off-Line High PF Constant-Voltage Controller with Integrated Power MOSFET**

**7 Physical Dimensions**



**NOTE :**

- 1. DOES NOT INCLUDE MOLD FLASH, PROTRUSIONS OR GATE BURRS. MOLD FLASH, PROTRUSIONS AND GATE BURRS SHALL NOT EXCEED .006 INCH PER SIDE.
- 2. DOES NOT INCLUDE INTER-LEAD FLASH OR PROTRUSIONS. INTER-LEAD FLASH AND PROTRUSIONS SHALL NOT EXCEED .010 INCH PER SIDE.
- 3. PACKAGE DIMENSION CONFORM TO JEDEC SPECIFICATION MS-012
- 4. LEAD SPAN/STAND OFF HEIGHT/COPLANARITY ARE CONSIDERED AS SPECIAL CHARACTERISTIC(S)
- 5. CONTROLLING DIMENSIONS IN INCHES.[mm]

STATUS: RELEASED	SCALE: DO NOT SCALE
TERMINAL FINISH: 100% Sn or NiPdAu (PPF)	
TITLE: 7 SOIC (NO PIN 3) PACKAGE OUTLINE	
REV: C	REVISION NOTE: ADD PACKAGE CHAMFER
DATE: 01-JUNE-2015	

**8 Ordering Information**

Part Number	Description	Package	Description
iW3827-01		SOIC-7	Tape & Reel <sup>1</sup>

**Note 1.** Tape & Reel packing quantity is 2,500/reel. Minimum packing quantity is 2,500.

## Off-Line High PF Constant-Voltage Controller with Integrated Power MOSFET

### Disclaimer

Information in this document is believed to be accurate and reliable. However, Dialog Semiconductor does not give any representations or warranties, expressed or implied, as to the accuracy or completeness of such information. Dialog Semiconductor furthermore takes no responsibility whatsoever for the content in this document if provided by any information source outside of Dialog Semiconductor.

Dialog Semiconductor reserves the right to change without notice the information published in this document, including without limitation the specification and the design of the related semiconductor products, software and applications.

Applications, software, and semiconductor products described in this document are for illustrative purposes only. Dialog Semiconductor makes no representation or warranty that such applications, software and semiconductor products will be suitable for the specified use without further testing or modification. Unless otherwise agreed in writing, such testing or modification is the sole responsibility of the customer and Dialog Semiconductor excludes all liability in this respect.

Customer notes that nothing in this document may be construed as a license for customer to use the Dialog Semiconductor products, software and applications referred to in this document. Such license must be separately sought by customer with Dialog Semiconductor.

All use of Dialog Semiconductor products, software and applications referred to in this document are subject to [Dialog Semiconductor's Standard Terms and Conditions of Sale](#), available on the company website ([www.dialog-semiconductor.com](http://www.dialog-semiconductor.com)) unless otherwise stated.

Dialog and the Dialog logo are trademarks of Dialog Semiconductor plc or its subsidiaries. All other product or service names are the property of their respective owners.

© 2017 Dialog Semiconductor. All rights reserved.

### RoHS Compliance

Dialog Semiconductor's suppliers certify that its products are in compliance with the requirements of Directive 2011/65/EU of the European Parliament on the restriction of the use of certain hazardous substances in electrical and electronic equipment. RoHS certificates from our suppliers are available on request.

## Contacting Dialog Semiconductor

**United Kingdom (Headquarters)**  
Dialog Semiconductor (UK) LTD  
Phone: +44 1793 757700

**Germany**  
Dialog Semiconductor GmbH  
Phone: +49 7021 805-0

**The Netherlands**  
Dialog Semiconductor B.V.  
Phone: +31 73 640 8822

**Email**  
[info\\_pcbg@diasemi.com](mailto:info_pcbg@diasemi.com)

**North America**  
Dialog Semiconductor Inc.  
Phone: +1 408 845 8500

**Japan**  
Dialog Semiconductor K. K.  
Phone: +81 3 5425 4567

**Taiwan**  
Dialog Semiconductor Taiwan  
Phone: +886 281 786 222

**Web site:**  
[www.dialog-semiconductor.com](http://www.dialog-semiconductor.com)

**Singapore**  
Dialog Semiconductor Singapore  
Phone: +65 64 8499 29

**Hong Kong**  
Dialog Semiconductor Hong Kong  
Phone: +852 3769 5200

**Korea**  
Dialog Semiconductor Korea  
Phone: +82 2 3469 8200

**China (Shenzhen)**  
Dialog Semiconductor China  
Phone: +86 755 2981 3669

**China (Shanghai)**  
Dialog Semiconductor China  
Phone: +86 21 5424 9058