

## Secondary-Side Voltage Positioning Controller

### 1 Description

The iW600 is a secondary-side voltage position controller to detect the voltage undershoot. It can be used in Dialog's primary-side control systems to achieve ultra-low no-load power consumption and fast dynamic load response. The iW600 operates in "Normally-OFF" mode with negligible power consumption during power supply normal steady state operation, while monitoring dynamic load change through the voltage on the secondary rectifier. A wake-up signal is transferred through the flyback power transformer to the primary side when a dynamic load change is detected. The iW600 eliminates loop compensation components and the optocoupler on the secondary side to minimize the bill of material cost.

### 2 Features

- Fast system output voltage detection
- Transmits detection signal to the primary side through flyback transformer
- Two-electrical-terminal connection simplifies system PCB layout
- No external components
- Enables <10mW no-load power consumption in typical 5V-output systems
- Available in 3-lead SOT-23 and 2-lead DFN packages

### 3 Applications

- AC/DC adapters/chargers

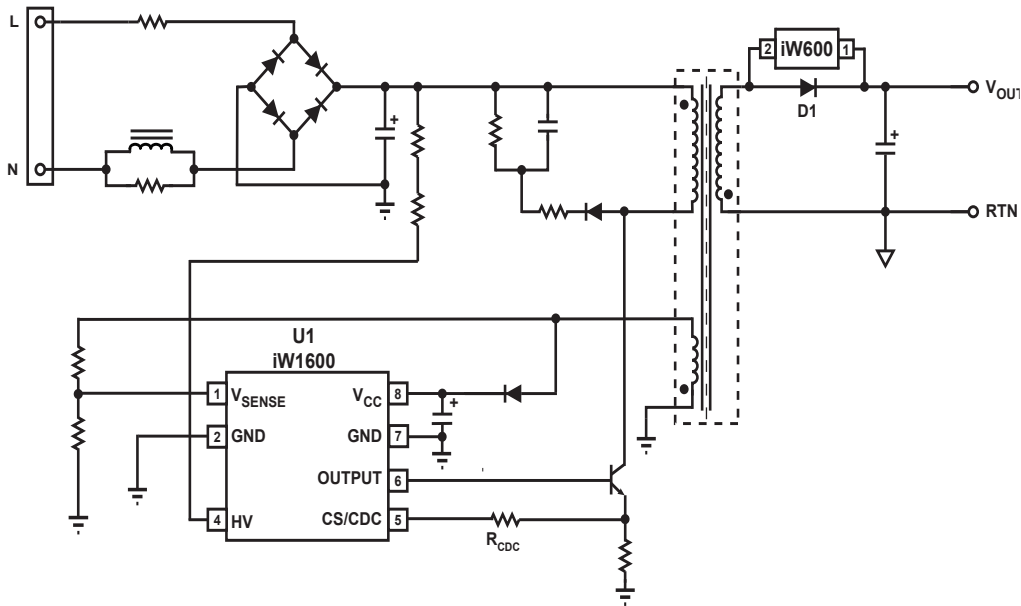


Figure 3.1: iW600 Typical Application Circuit (Using iW1600 as Primary-Side Controller) (Achieving < 10mW No-load Power Consumption in 5V/2A 10W Adapter with Fast Dynamic Load Response)

## Secondary-Side Voltage Positioning Controller

### 4 Pinout Description

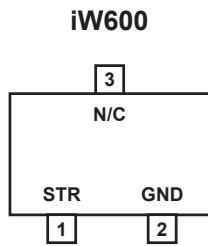


Figure 4.1: 3-Lead SOT-23 Package

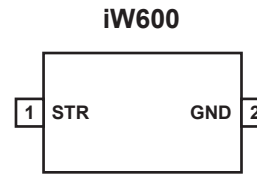


Figure 4.2: 2-Lead DFN Package

Pin No.	Name	Type	Pin Description
1	STR	Power Input/ Analog Input/ Power Output	Stroke pin. Controller Power input and voltage monitoring input. It also builds in a open-drain circuit to drive the flyback power transformer when dynamic load is detected.
2	GND	Ground	Ground.
3	N/C	N/C	Not connected. Recommend design a solder pad and solder this pin on the printed circuit board for mechanical stability.

Note 1: The N/C pin is only available in the 3-lead SOT-23 package.

## Secondary-Side Voltage Positioning Controller

### 5 Absolute Maximum Ratings

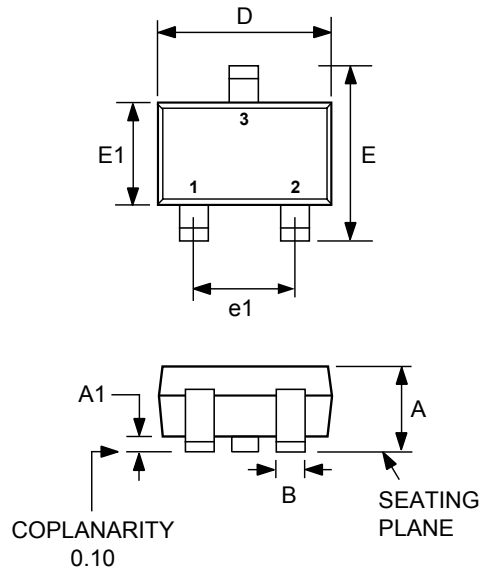
Absolute maximum ratings are the parameter values or ranges which can cause permanent damage if exceeded. For maximum safe operating conditions, refer to Electrical Characteristics (Section 6).

Parameter	Symbol	Value	Units
Input voltage range	$V_{STR}$	-1 to 60	V
Continuous DC supply current at $V_{STR}$ pin ( $V_{STR} = 60V$ )	$I_{CC\_OP}$	1	mA
Open-draining pull-down pulse current ( $V_{STR} = 40V$ )		400	mA
Maximum junction temperature	$T_{JMAX}$	150	°C
Operating junction temperature	$T_{JOPT}$	-40 to 150	°C
Storage temperature	$T_{STG}$	-65 to 150	°C
Thermal resistance junction-to-ambient (SOT-23)	$\theta_{JA}$	260	°C/W
Thermal resistance junction-to-ambient (DFN)	$\theta_{JA}$	680	°C/W
ESD rating per JEDEC JESD22-A114		±2,000	V

## Secondary-Side Voltage Positioning Controller

### 6 Physical Dimensions

#### 3-Lead SOT-23 Package



Symbol	Inches		Millimeters	
	MIN	MAX	MIN	MAX
A	0.035	0.044	0.89	1.11
A1	0.001	0.004	0.01	0.10
B	0.015	0.020	0.37	0.50
C	0.003	0.007	0.09	0.18
D	0.110	0.120	2.80	3.04
E	0.083	0.104	2.10	2.64
E1	0.047	0.081	1.20	1.40
e1	0.070	0.020	1.78	2.04

Compliant to JEDEC Standard TO236

Controlling dimensions are in millimeters

This package is RoHS compliant, and conform to Halide free limits.

Soldering Temperature Resistance:

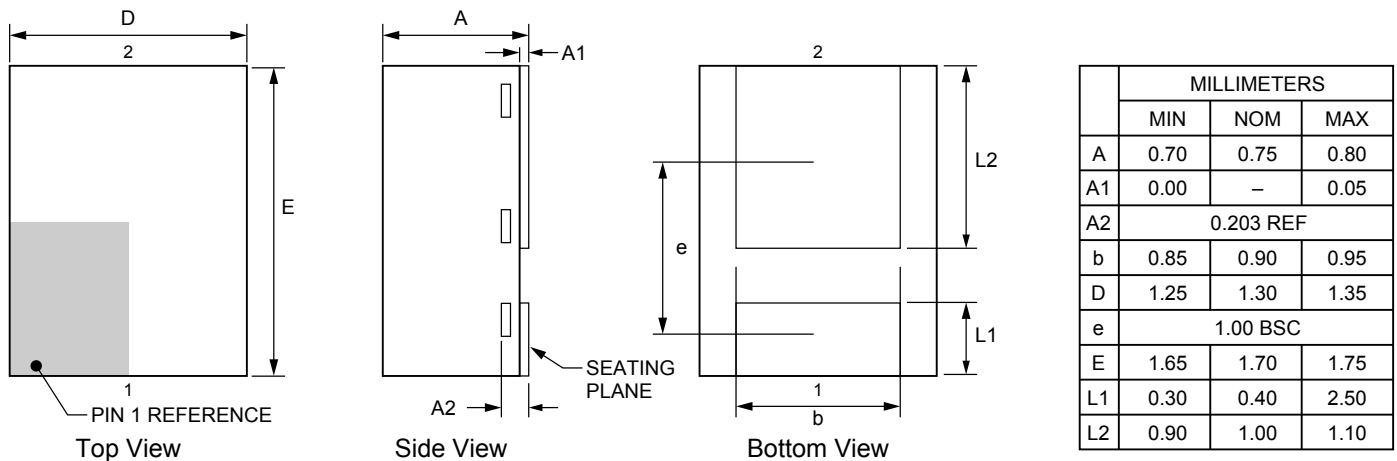
[a] Package is IPC/JEDEC Std 020D Moisture Sensitivity Level 1

[b] Package exceeds JEDEC Std No. 22-A111 for Solder Immersion resistance; packages can withstand 10 s immersion @ < 260 °C

Dimension D does not include mold flash, protrusions or gate burrs. Mold flash, protrusions or gate burrs shall not exceed 0.25 mm per end. Dimension E1 does not include interlead flash or protrusion. Interlead flash or protrusion shall not exceed 0.25 mm per side.

## Secondary-Side Voltage Positioning Controller

### 2-Lead DFN Package



All dimensions are in millimeters.

Coplanarity applies to the exposed pad as well as the terminals.

Coplanarity shall not exceed 0.05 millimeters.

Warpage shall not exceed 0.05 millimeters.

Soldering Temperature Resistance:

[a] Package is IPC/JEDEC Std 020D Moisture Sensitivity Level 1.

[b] Package exceeds JEDEC Std No. 22-A111 for Solder Immersion Resistance; package can withstand 10 seconds immersion < 260°C.

## 7 Ordering Information

Part Number	Options	Package	Description
iW600-00-ST3	N/A	SOT-23L-3L	Tape & Reel <sup>1</sup>
iW600-00-DFN2	N/A	DFN-1.3m-2L	Tape & Reel <sup>1</sup>

Note 1: Tape & Reel packing quantity is 3,000/reel. Minimum ordering quantity is 3,000.

## Secondary-Side Voltage Positioning Controller

### Disclaimer

Information in this document is believed to be accurate and reliable. However, Dialog Semiconductor does not give any representations or warranties, expressed or implied, as to the accuracy or completeness of such information. Dialog Semiconductor furthermore takes no responsibility whatsoever for the content in this document if provided by any information source outside of Dialog Semiconductor.

Dialog Semiconductor reserves the right to change without notice the information published in this document, including without limitation the specification and the design of the related semiconductor products, software and applications.

Applications, software, and semiconductor products described in this document are for illustrative purposes only. Dialog Semiconductor makes no representation or warranty that such applications, software and semiconductor products will be suitable for the specified use without further testing or modification. Unless otherwise agreed in writing, such testing or modification is the sole responsibility of the customer and Dialog Semiconductor excludes all liability in this respect.

Customer notes that nothing in this document may be construed as a license for customer to use the Dialog Semiconductor products, software and applications referred to in this document. Such license must be separately sought by customer with Dialog Semiconductor.

All use of Dialog Semiconductor products, software and applications referred to in this document are subject to [Dialog Semiconductor's Standard Terms and Conditions of Sale](#), available on the company website ([www.dialog-semiconductor.com](http://www.dialog-semiconductor.com)) unless otherwise stated.

Dialog and the Dialog logo are trademarks of Dialog Semiconductor plc or its subsidiaries. All other product or service names are the property of their respective owners.

© 2016 Dialog Semiconductor. All rights reserved.

### RoHS Compliance

Dialog Semiconductor's suppliers certify that its products are in compliance with the requirements of Directive 2011/65/EU of the European Parliament on the restriction of the use of certain hazardous substances in electrical and electronic equipment. RoHS certificates from our suppliers are available on request.

## Contacting Dialog Semiconductor

**United Kingdom (Headquarters)**  
Dialog Semiconductor (UK) LTD  
Phone: +44 1793 757700

**Germany**  
Dialog Semiconductor GmbH  
Phone: +49 7021 805-0

**The Netherlands**  
Dialog Semiconductor B.V.  
Phone: +31 73 640 8822

**Email**  
[info\\_pcbg@diasemi.com](mailto:info_pcbg@diasemi.com)

**North America**  
Dialog Semiconductor Inc.  
Phone: +1 408 845 8500

**Japan**  
Dialog Semiconductor K. K.  
Phone: +81 3 5425 4567

**Taiwan**  
Dialog Semiconductor Taiwan  
Phone: +886 281 786 222

**Web site:**  
[www.dialog-semiconductor.com](http://www.dialog-semiconductor.com)

**Singapore**  
Dialog Semiconductor Singapore  
Phone: +65 64 8499 29

**Hong Kong**  
Dialog Semiconductor Hong Kong  
Phone: +852 3769 5200

**Korea**  
Dialog Semiconductor Korea  
Phone: +82 2 3469 8200

**China (Shenzhen)**  
Dialog Semiconductor China  
Phone: +86 755 2981 3669

**China (Shanghai)**  
Dialog Semiconductor China  
Phone: +86 21 5424 9058

## X-ON Electronics

Largest Supplier of Electrical and Electronic Components

*Click to view similar products for* [Power Management Specialised - PMIC category:](#)

*Click to view products by* [Dialog Semiconductor manufacturer:](#)

Other Similar products are found below :

[P9145-I0NQGI](#) [SLG7NT4192VTR](#) [AS3729B-BWLM](#) [LNBH25SPQR](#) [ADP5080ACBZ-1-RL](#) [MC32PF3000A6EP](#) [MB39C831QN-G-EFE2](#)  
[MAX9959DCCQ+D](#) [MAX1932ETC+T](#) [MAX1856EUB+T](#) [STNRG011TR](#) [IRPS5401MXI03TRP](#) [S6AE102A0DGN1B200](#)  
[MMPF0100FDAEP](#) [MCZ33903DS5EK](#) [S6AE101A0DGNAB200](#) [MCZ33903DS3EK](#) [NCP6924CFCHT1G](#) [MAX17117ETJ+](#) [L9916](#) [L9915-](#)  
[CB](#) [MCZ33904D5EK](#) [MCZ33905DS3EK](#) [MMPF0100FCANES](#) [MCZ33905DD3EK](#) [MMPF0100FBANES](#) [WM8325GEFL/V](#)  
[MCZ33903DP5EK](#) [MCZ33905DS5EK](#) [MCZ33903D3EK](#) [MCZ33903DD5EK](#) [ADN8835ACPZ-R7](#) [MCZ33903DP5EKR2](#) [MCZ33903D5EK](#)  
[MCZ33903DD3EK](#) [MMPF0100FAAZES](#) [SLG7NT4198V](#) [MIC5164YMM](#) [P9180-00NHGI](#) [NCP6914AFCAT1G](#) [TLE9261QX](#)  
[TEA1998TS/1H](#) [MAX881REUB+T](#) [TLE9262QX](#) [TLE8880TN](#) [MAX8520ETP+T](#) [SLG7NT4083V](#) [ADP1031ACPZ-1-R7](#) [ADP1031ACPZ-2-](#)  
[R7](#) [ADP1031ACPZ-3-R7](#)