

Digital Green-Mode Synchronous Rectifier Controller

1 Description

The iW673 is a high performance synchronous rectifier controller with an integrated MOSFET driver for flyback converters operating at discontinuous conduction mode. Combined with the MOSFET, the iW673 can emulate the diode rectifier at the secondary side of the flyback to reduce conduction loss. The iW673 determines the timing of the driver by sensing the voltage across the $R_{DS(ON)}$ to achieve lossless sensing. The iW673 uses proprietary digital adaptive turn-off control technology to minimize the turn-off deadtime of the synchronous rectifier so that the parallel Schottky diode required by conventional synchronous rectifiers can be eliminated. The integrated driver has strong driving capability for high efficiency. The operating power consumption of the controller excluding the driver is less than 4mW at no load to achieve the ultra-low no-load power consumption at 5V output. The iW673 integrates a pulse linear regulator to maintain the operation of the synchronous rectifier at low system output voltage when the system is operating in constant current (CC) mode.

2 Features

- Digital adaptive turn-off control minimizes dead-time and eliminates the parallel Schottky diode
- Integrated pulse linear regulator (PLR) enables SR operation at down to 2.4V system output when system is in constant current (CC) mode with iW673-00, iW673-01, or iW673-20
- Wide V_{IN} pin operating voltage up to 25V (16V for iW673-00)
- Optimized 5V MOSFET gate driver Intelligent low power management achieves ultra-low no-load operating current
- Lossless MOSFET V_{DS} sensing for SR timing control
- 6-pin SOT23 package

3 Applications

- Compact AC/DC adapters/chargers for media tablets and smart phones

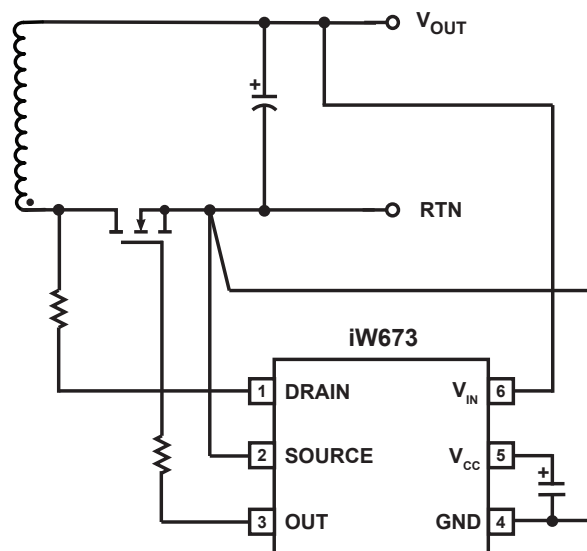


Figure 3.1 : iW673 Typical Application Circuit

Digital Green-Mode Synchronous Rectifier Controller

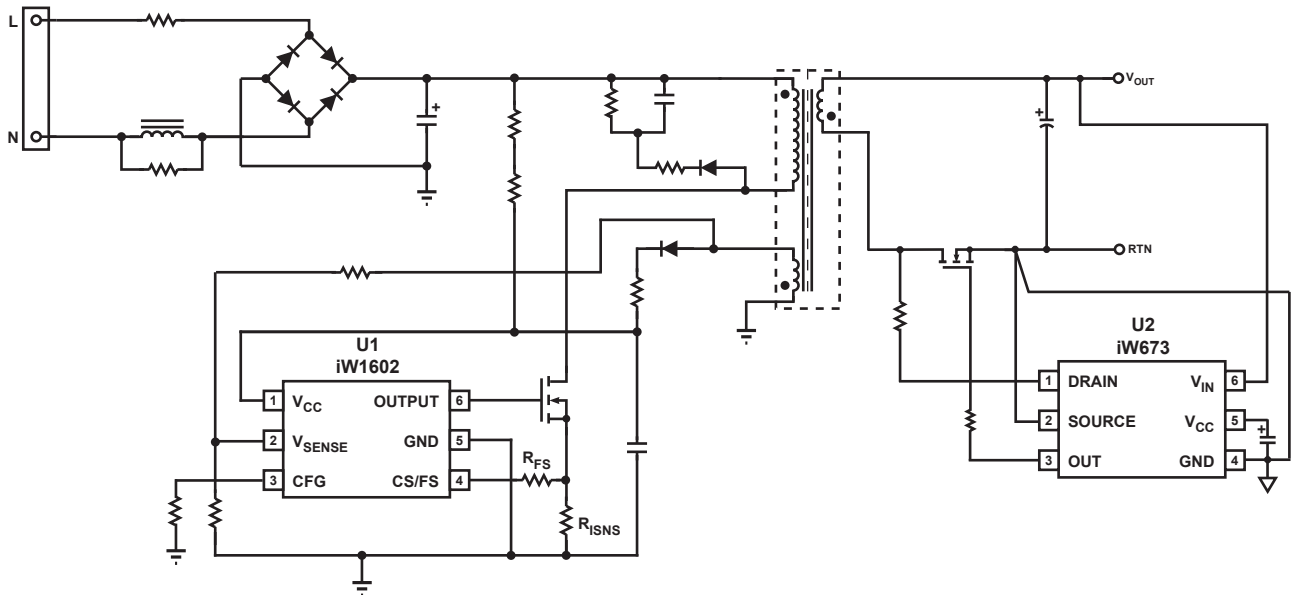


Figure 3.2 : iW673 Typical Application Circuit Using iW1602 as the Primary-Side Controller (Achieving <75mW No-Load Power Consumption in 5V, 2.5A Adapter Designs with Fast Dynamic Load Response, and Supporting Constant Current Operation down to 2.4V System Output)

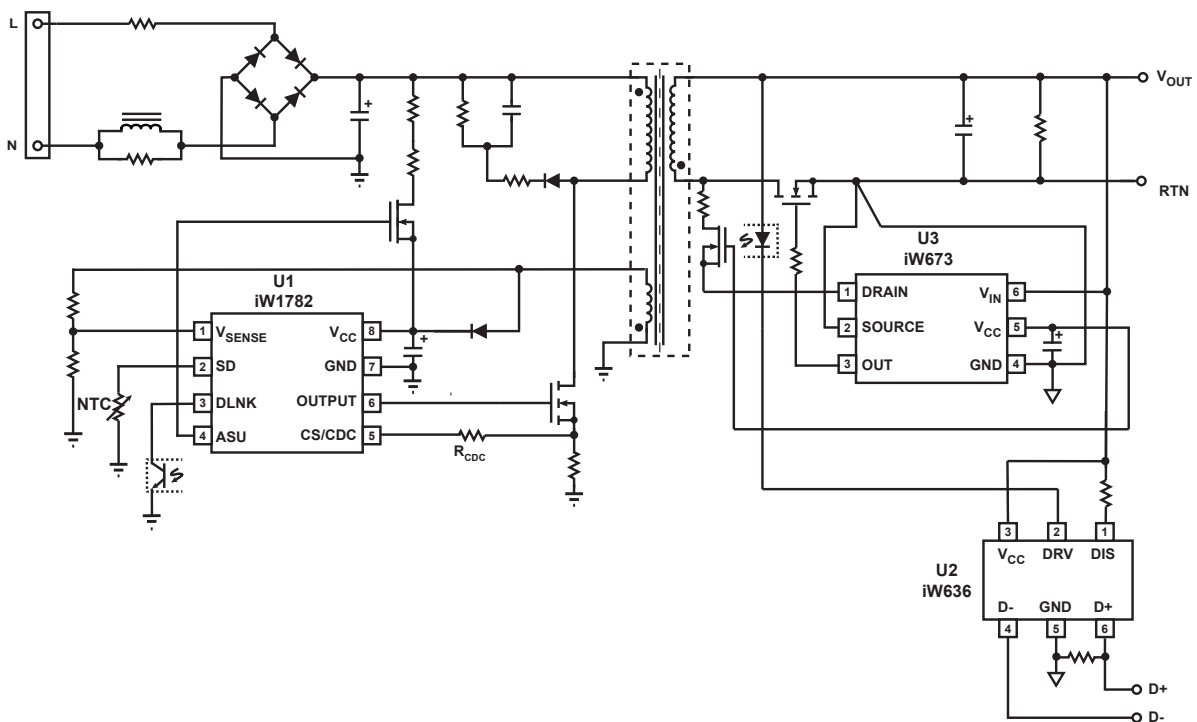


Figure 3.3 : iW673 Typical Application Circuit for Multi-Level Output Voltage and Current (Using iW1782 as Primary-Side Controller and iW636 as Secondary-Side Controller) for Qualcomm® Quick Charge™ 3.0 (Achieving <20mW No-Load Power Consumption)

Note: The DFET clamping circuit at the DRAIN pin of iW673 is not needed if the maximum voltage on the drain of the SR MOSFET is lower 60V.

Digital Green-Mode Synchronous Rectifier Controller

4 Pinout Description

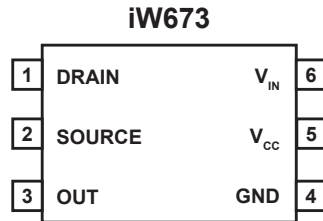


Figure 4.1 : 6-Pin SOT23 Package

Pin No.	Pin Name	Type	Pin Description
1	DRAIN	Analog Input	Synchronous rectifier MOSFET drain voltage sensing and the Pulse Linear Regulator (PLR) input.
2	SOURCE	Analog input	Synchrnous rectifier MOSFET source voltage sensing input.
3	OUT	Output	Synchronous rectifier MOSFET driver.
4	GND	Ground	Ground.
5	V_{CC}	Power Input	Output of internal LDO and PLR. It provides bias voltage for the internal logic circuit and the MOSFET driver. Connect this pin to a capacitor.
6	V_{IN}	Analog Input	Input of internal LDO and system output voltage sensing circuit. Connect to adapter/charger output for bias voltage. The internal LDO clamps the V_{CC} voltage at 5V when $V_{IN} > 5V$. The V_{IN} is also the input for the PLR enable comparator and the SR enable comparator.

Digital Green-Mode Synchronous Rectifier Controller

5 Absolute Maximum Ratings

Absolute maximum ratings are the parameter values or ranges which can cause permanent damage if exceeded.

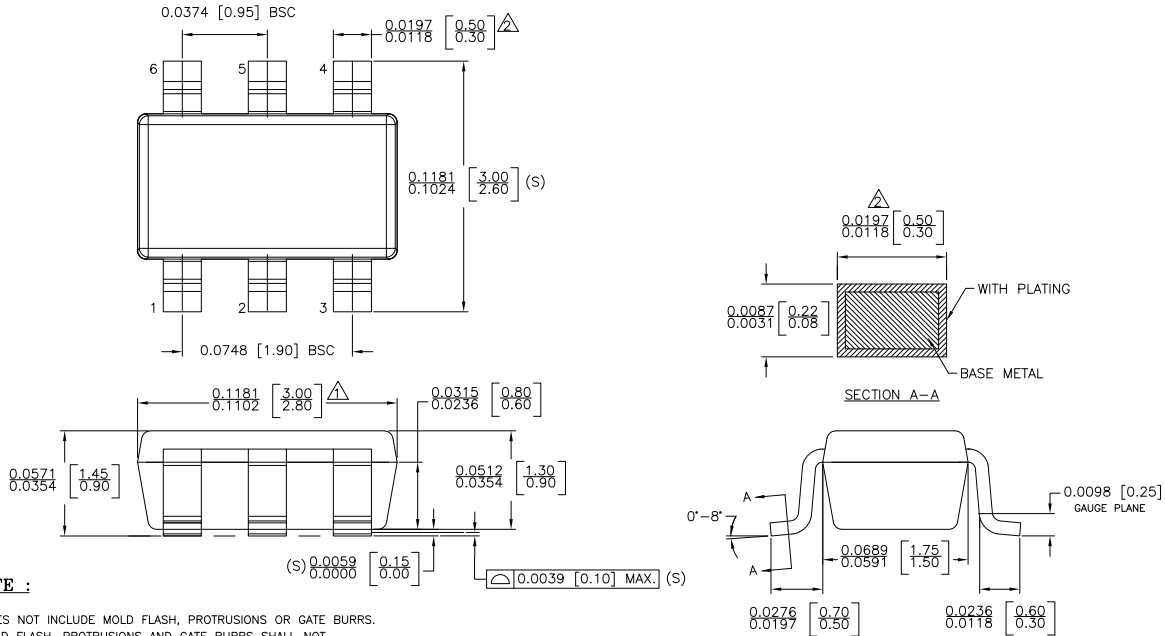
Parameter	Symbol	Value	Units
V_{IN} DC supply voltage range (pin 6, $I_{CC} = 15\text{mA}$ max)	V_{IN}	-0.3 to 33	V
Continuous DC supply current at V_{IN} pin ($V_{IN} = 30\text{V}$)	I_{VO}	15	mA
Continuous DC supply current at V_{CC} pin ($V_{CC} = 5.5\text{V}$)	I_{VCC}	15	mA
Gate peak output current	I_G	± 3	A
DRAIN pin voltage (Note 1)	V_D	-1.5 to 60	V
DRAIN pin peak current	I_{DRAIN}	-40 to 300	mA
SOURCE pin voltage	V_{SOURCE}	- 0.6 to 1	V
V_{CC} pin voltage	V_{CC}	-0.6 to 6	V
Junction temperature	T_J	-40 to 150	$^{\circ}\text{C}$
Storage temperature		-65 to 150	$^{\circ}\text{C}$
Thermal resistance junction-to-ambient	θ_{JA}	190	$^{\circ}\text{C}/\text{W}$
ESD rating per JEDEC JESD22-A114		2,000	V

Notes:

Note 1: The DRAIN pin voltage should not be below -0.6V for more than 500 ns.

Digital Green-Mode Synchronous Rectifier Controller

6 Physical Dimensions



NOTE :

- △ DOES NOT INCLUDE MOLD FLASH, PROTRUSIONS OR GATE BURRS. MOLD FLASH, PROTRUSIONS AND GATE BURRS SHALL NOT EXCEED 0.127 MM PER SIDE.
- △ DOES NOT INCLUDE INTER-LEAD FLASH OR PROTRUSIONS. INTER-LEAD FLASH AND PROTRUSIONS SHALL NOT EXCEED 0.127 MM PER SIDE.
- 3. DIE IS FACING UP FOR MOLD. DIE IS FACING DOWN FOR TRIM/FORM.
- 4. THIS PART IS COMPLIANT WITH EIAJ SPECIFICATION SC74A AND JEDEC SPECIFICATION MO-178AB.
- 5. LEAD SPAN/STAND OFF HEIGHT/COPLANARITY ARE CONSIDERED AS SPECIAL CHARACTERISTIC.(S)
- 6. CONTROLLING DIMENSIONS IN INCHES. [mm]

STATUS: RELEASED	SCALE: DO NOT SCALE
TERMINAL FINISH: 100% Sn or NiPdAu (PPF)	
TITLE: 6 SOT23 PACKAGE OUTLINE	
REV: A	DATE: 02-MAR-2015

7 Ordering Information

Part no.	Options	Package	Description
iW673-00	$V_{OUT} < 16V$. $I_{OUT} < 4A$. Not recommended for new designs	SOT23	Tape & Reel ¹
iW673-01	$V_{OUT} < 25V$. $I_{OUT} > 4A$ or when SR MOSFET with large package inductance (TO-220 or similar) is used.	SOT23	Tape & Reel ¹
iW673-10	$V_{OUT} < 25V$. $I_{OUT} < 4A$. PLR circuit is disabled until UVLO once V_{OUT} reaches PLR disable threshold ($V_{LR_DISABLE}$).	SOT23	Tape & Reel ¹
iW673-20	$V_{OUT} < 25V$. $I_{OUT} < 4A$.	SOT23	Tape & Reel ¹

Note 1: Tape and reel packing quantity is 3,000/reel. Minimum packing quantity is 3,000.

Digital Green-Mode Synchronous Rectifier Controller

Disclaimer

Information in this document is believed to be accurate and reliable. However, Dialog Semiconductor does not give any representations or warranties, expressed or implied, as to the accuracy or completeness of such information. Dialog Semiconductor furthermore takes no responsibility whatsoever for the content in this document if provided by any information source outside of Dialog Semiconductor.

Dialog Semiconductor reserves the right to change without notice the information published in this document, including without limitation the specification and the design of the related semiconductor products, software and applications.

Applications, software, and semiconductor products described in this document are for illustrative purposes only. Dialog Semiconductor makes no representation or warranty that such applications, software and semiconductor products will be suitable for the specified use without further testing or modification. Unless otherwise agreed in writing, such testing or modification is the sole responsibility of the customer and Dialog Semiconductor excludes all liability in this respect.

Customer notes that nothing in this document may be construed as a license for customer to use the Dialog Semiconductor products, software and applications referred to in this document. Such license must be separately sought by customer with Dialog Semiconductor.

All use of Dialog Semiconductor products, software and applications referred to in this document are subject to [Dialog Semiconductor's Standard Terms and Conditions of Sale](#), available on the company website (www.dialog-semiconductor.com) unless otherwise stated.

Dialog and the Dialog logo are trademarks of Dialog Semiconductor plc or its subsidiaries. All other product or service names are the property of their respective owners.

Qualcomm is a trademark of Qualcomm Incorporated, registered in the United States and other countries. Qualcomm Quick Charge is a trademark of Qualcomm Incorporated. All Qualcomm Incorporated marks are used with permission.

© 2018 Dialog Semiconductor. All rights reserved.

RoHS Compliance

Dialog Semiconductor's suppliers certify that its products are in compliance with the requirements of Directive 2011/65/EU of the European Parliament on the restriction of the use of certain hazardous substances in electrical and electronic equipment. RoHS certificates from our suppliers are available on request.

Contacting Dialog Semiconductor

United Kingdom (Headquarters)
Dialog Semiconductor (UK) LTD
 Phone: +44 1793 757700

Germany
Dialog Semiconductor GmbH
 Phone: +49 7021 805-0

The Netherlands
Dialog Semiconductor B.V.
 Phone: +31 73 640 8822

Email
info_pcbg@diasemi.com

North America
Dialog Semiconductor Inc.
 Phone: +1 408 845 8500

Japan
Dialog Semiconductor K. K.
 Phone: +81 3 5769 5100

Taiwan
Dialog Semiconductor Taiwan
 Phone: +886 281 786 222

Web site:
www.dialog-semiconductor.com

Hong Kong
Dialog Semiconductor Hong Kong
 Phone: +852 2607 4271

Korea
Dialog Semiconductor Korea
 Phone: +82 2 3469 8200

China (Shenzhen)
Dialog Semiconductor China
 Phone: +86 755 2981 3669

China (Shanghai)
Dialog Semiconductor China
 Phone: +86 21 5424 9058

X-ON Electronics

Largest Supplier of Electrical and Electronic Components

Click to view similar products for [Switching Controllers](#) category:

Click to view products by [Dialog Semiconductor](#) manufacturer:

Other Similar products are found below :

[AZ7500EP-E1](#) [NCP1218AD65R2G](#) [NCP1234AD100R2G](#) [NCP1244BD065R2G](#) [NCP1336ADR2G](#) [NCP6153MNTWG](#) [NCP81101BMNTXG](#)
[NCP81205MNTXG](#) [SJE6600](#) [SG3845DM](#) [NCP4204MNTXG](#) [NCP6132AMNR2G](#) [NCP81102MNTXG](#) [NCP81203MNTXG](#)
[NCP81206MNTXG](#) [NX2155HCUPTR](#) [UBA2051C](#) [MAX8778ETJ+](#) [NTBV30N20T4G](#) [NCP1015ST65T3G](#) [NCP1240AD065R2G](#)
[NCP1240FD065R2G](#) [NCP1361BABAYSNT1G](#) [NCP1230P100G](#) [NCP1612BDR2G](#) [NX2124CSTR](#) [SG2845M](#) [NCP81101MNTXG](#)
[TEA19362T/1J](#) [IFX81481ELV](#) [NCP81174NMNTXG](#) [NCP4308DMTTWG](#) [NCP4308DMNTWG](#) [NCP4308AMTTWG](#) [NCP1251FSN65T1G](#)
[NCP1246BLD065R2G](#) [NTE7154](#) [NTE7242](#) [LTC7852IUFD-1#PBF](#) [LTC7852EUFD-1#PBF](#) [MB39A136PFT-G-BND-ERE1](#)
[NCP1256BSN100T1G](#) [LV5768V-A-TLM-E](#) [NCP1365BABCYDR2G](#) [NCP1365AABCYDR2G](#) [MCP1633T-E/MG](#) [MCP1633-E/MG](#)
[NCV1397ADR2G](#) [NCP1246ALD065R2G](#) [AZ494AP-E1](#)