

Digital Synchronous Rectifier Controller Optimized for Wide Range Outputs with Optional Active Voltage Position Control

1 Description

The iW676 is an advanced synchronous rectifier (SR) controller with an integrated MOSFET driver for discontinuous mode flyback converters. The device works with an external power MOSFET to replace the main rectifying diode on the secondary of a flyback converter, improving efficiency by reducing conduction losses on the secondary. The iW676 uses lossless sensing by monitoring the voltage across the synchronous MOSFET to determine when to switch the FET, further improving efficiency. Dialog's digital adaptive turn-off control technology minimizes turn-off deadtime, eliminating the need for an additional Schottky diode that is typically needed in parallel with the synchronous MOSFET in conventional synchronous rectifiers.

The iW676 has the ability to work at output voltages as high as 25V and as low as 3V under all conditions to accommodate a wide array of power supplies. It can sense drain voltages up to 100V, eliminating the need for an external clamping circuit in applications with multi-level output voltage applications up to 12V. A unique internal regulator circuit enables the iW676 to operate down to very low voltages on the output of the power supply, optimizing the device for Direct Charging applications down to sub-3V levels.

The iW676-3X integrates Dialog's unique Active Voltage Positioning (AVP) control for fast dynamic load response and very low no-load power consumption (non-rapid charge applications), without increasing the package size or pin count.

2 Features

- Supports system output voltages from 3V to 25V in multi-level output voltage and current applications
 - » Integrated pulse linear regulator (PLR) enables high efficiency SR operation down to 3V under all load conditions and below 2.4V under constant current (CC) mode condition
 - » Supports Direct Charge down to sub-3V levels
 - » Wide V_{IN} pin operating voltage up to 25V
- High voltage Drain sensing up to 100V with no additional external clamping circuits required
- 6-pin SOT23 package
- Digital adaptive turn-off control minimizes dead-time and eliminates the parallel Schottky diode
- Lossless MOSFET V_{DS} sensing for SR timing control
- Optimized 5V MOSFET gate driver
- Intelligent low power management achieves ultra-low no-load operating current
- Built-in Active Voltage Positioning (AVP) to provide fast system output voltage transient detection with no additional pins or external components required. (iW676-3X option)

3 Applications

- Compact AC/DC adapters/chargers for media tablets and smart phones

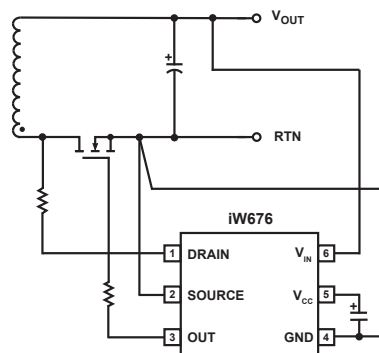


Figure 3.1 : iW676 Typical Application Circuit

Digital Synchronous Rectifier Controller Optimized for Wide Range Outputs with Optional Active Voltage Position Control

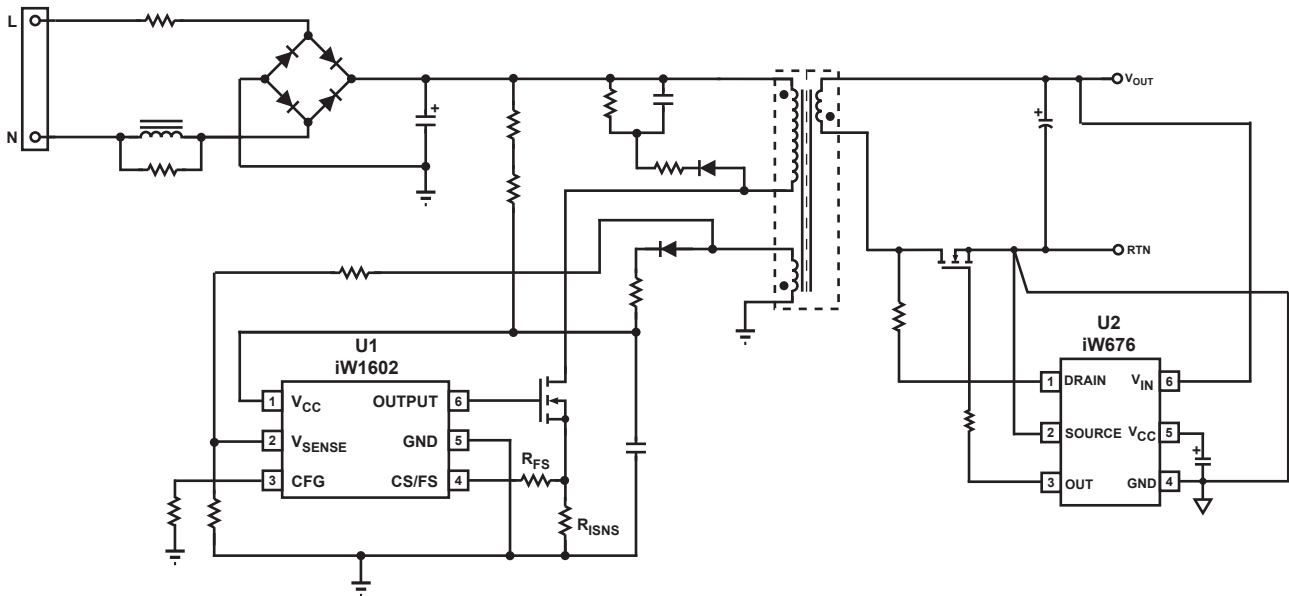


Figure 3.2 : iW676 Typical Application Circuit Using iW1602 as the Primary-Side Controller (Achieving <30mW No-Load Power Consumption in 5V, 2.5A Adapter Designs with Fast Dynamic Load Response, and Supporting Constant Current Operation at Low System Output)

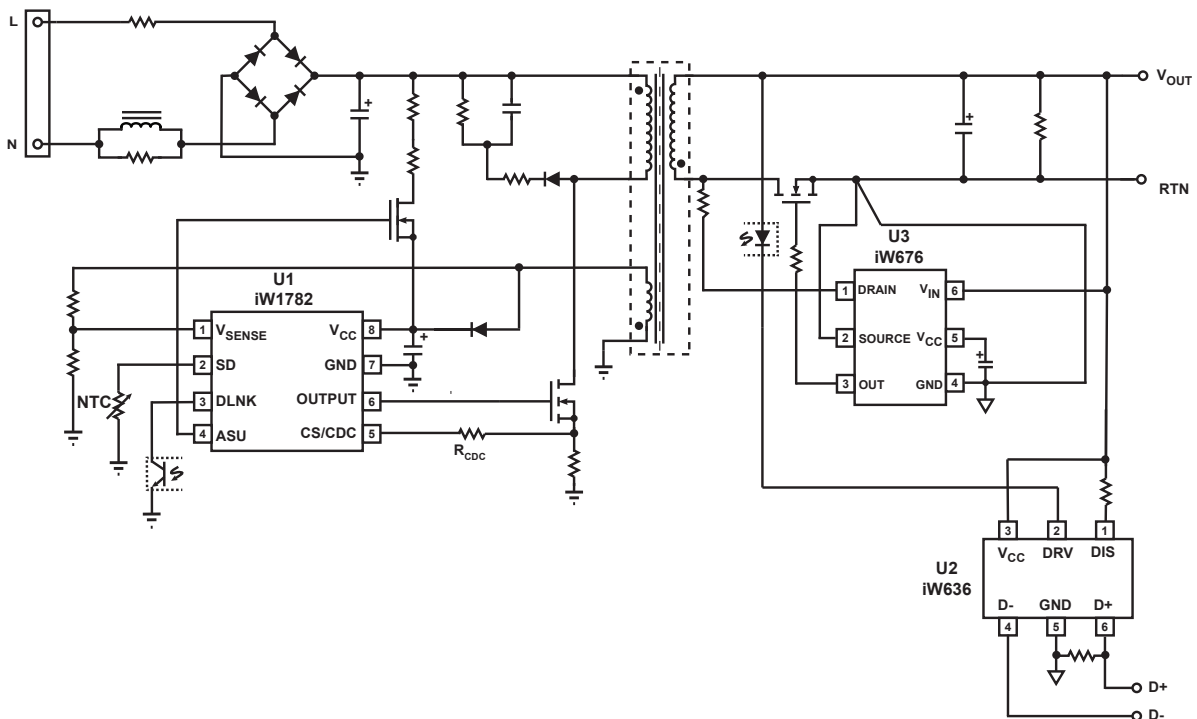


Figure 3.3 : iW676 Typical Application Circuit for Multi-Level Output Voltage and Current (Using iW1782 as Primary-Side Controller and iW636 as Secondary-Side Controller for Qualcomm® Quick Charge™ 3.0) (Achieving <20mW No-Load Power Consumption)

Digital Synchronous Rectifier Controller Optimized for Wide Range Outputs with Optional Active Voltage Position Control

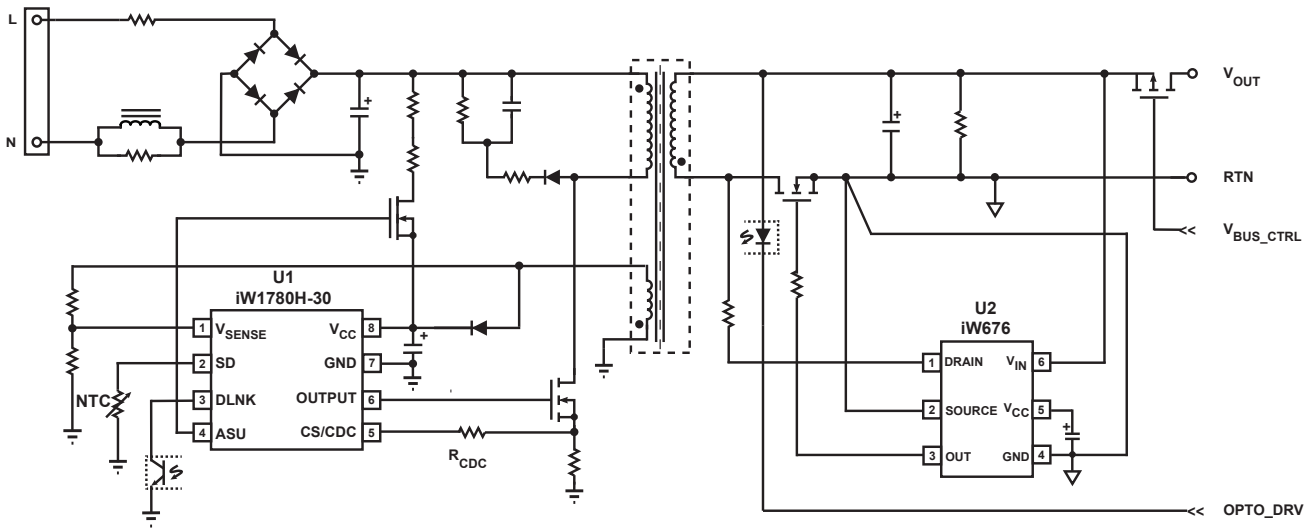


Figure 3.4 : Direct Charge Application with V_{BUS} Switch (Using Secondary-Side IC Interfacing MD with D+/D- or CC1/CC2 for Direct Charge and iW676 as SR Controller)

Digital Synchronous Rectifier Controller Optimized for Wide Range Outputs with Optional Active Voltage Position Control

4 Pinout Description

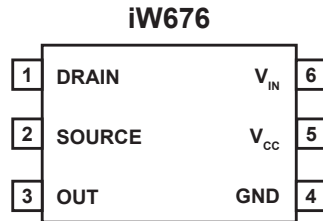


Figure 4.1 : 6-Pin SOT23 Package

Pin No.	Pin Name	Type	Pin Description
1	DRAIN	Analog Input	Synchronous rectifier MOSFET drain voltage sensing and the Pulse Linear Regulator (PLR) input. For iW676-3X, it is also the secondary-side Active Voltage Positioning function input and output.
2	SOURCE	Analog input	Synchronous rectifier MOSFET source voltage sensing input.
3	OUT	Output	Synchronous rectifier MOSFET driver.
4	GND	Ground	Ground.
5	V_{CC}	Power Input	Output of internal LDO and PLR. It provides bias voltage for the internal logic circuit and the MOSFET driver. Connect this pin to a capacitor.
6	V_{IN}	Analog Input	Input of internal LDO and system output voltage sensing circuit. Connect to adapter/charger output for bias voltage. The internal LDO clamps the V_{CC} voltage at 5V when $V_{IN} > 5V$. V_{IN} is also the input for the PLR enable comparator and the SR enable comparator.

Digital Synchronous Rectifier Controller Optimized for Wide Range Outputs with Optional Active Voltage Position Control

5 Absolute Maximum Ratings

Absolute maximum ratings are the parameter values or ranges which can cause permanent damage if exceeded. For maximum safe operating conditions, refer to Electrical Characteristics in Section 6.

Parameter	Symbol	Value	Units
V_{IN} DC supply voltage range (pin 6, $I_{CC} = 15\text{mA}$ max)	V_{IN}	-0.3 to 33	V
Continuous DC supply current at V_{IN} pin ($V_{IN} = 30\text{V}$)	I_{VO}	15	mA
Continuous DC supply current at V_{CC} pin ($V_{CC} = 5.5\text{V}$)	I_{VCC}	15	mA
Gate peak output current	I_G	± 3	A
DRAIN pin voltage (Note 1)	V_D	-1.5 to 100	V
DRAIN pin peak current	I_{DRAIN}	-40 to 300	mA
SOURCE pin voltage	V_{SOURCE}	-0.6 to 1	V
V_{CC} pin voltage	V_{CC}	-0.6 to 6	V
Junction temperature	T_J	-40 to 150	$^{\circ}\text{C}$
Storage temperature		-65 to 150	$^{\circ}\text{C}$
Thermal resistance junction-to-ambient	θ_{JA}	190	$^{\circ}\text{C}/\text{W}$
ESD rating per JEDEC JESD22-A114		$\pm 2,000$	V

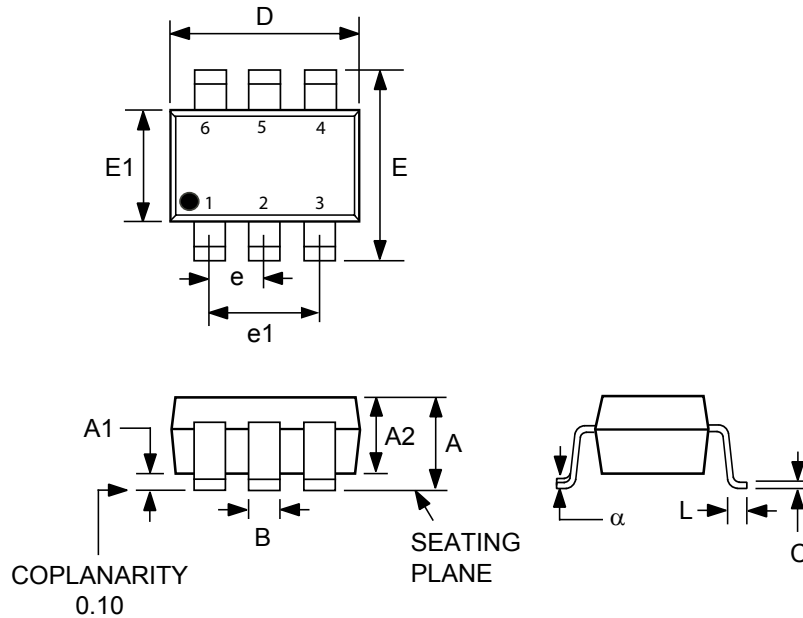
Notes:

Note 1: The DRAIN pin voltage should not be below -0.6V for more than 500ns.

Digital Synchronous Rectifier Controller Optimized for Wide Range Outputs with Optional Active Voltage Position Control

6 Physical Dimensions

6-Lead SOT Package



Symbol	Millimeters	
	MIN	MAX
A	-	1.45
A1	0.00	0.15
A2	0.90	1.30
B	0.30	0.50
C	0.08	0.22
D	2.90 BSC	
E	2.80 BSC	
E1	1.60 BSC	
e	0.95 BSC	
e1	1.90 BSC	
L	0.30	0.60
α	0°	8°

Compliant to JEDEC Standard MO-178AB

Controlling dimensions are in millimeters

This package is RoHS compliant and Halide free.

Soldering Temperature Resistance:

[a] Package is IPC/JEDEC Std 020D Moisture Sensitivity Level 1

[b] Package exceeds JEDEC Std No. 22-A111 for Solder Immersion Resistance; packages can withstand 10 s immersion < 260°C

Dimension D does not include mold flash, protrusions or gate burrs. Mold flash, protrusions or gate burrs shall not exceed 0.25 mm per side.

The package top may be smaller than the package bottom. Dimensions D and E1 are determined at the outermost extremes of the plastic body exclusive of mold flash, tie bar burrs and interlead flash, but including any mismatch between top and bottom of the plastic

7 Ordering Information

Part no.	Options	Package	Description
iW676-00	No Active Voltage Positioning (AVP) function	SOT23	Tape & Reel ⁽¹⁾
iW676-30	With secondary Active Voltage Positioning (AVP) function, under-voltage threshold (V_{UV}) = 4.75V ⁽²⁾	SOT23	Tape & Reel ⁽¹⁾
iW676-32	With secondary Active Voltage Positioning (AVP) function, under-voltage threshold (V_{UV}) = 11.2V ⁽²⁾	SOT23	Tape & Reel ⁽¹⁾

Notes:

Note 1: Tape and reel packing quantity is 3,000/reel. Minimum ordering quantity is 3,000.

Note 2: For availability of additional V_{UV} options, please contact marketing.

Digital Synchronous Rectifier Controller Optimized for Wide Range Outputs with Optional Active Voltage Position Control

Disclaimer

Information in this document is believed to be accurate and reliable. However, Dialog Semiconductor does not give any representations or warranties, expressed or implied, as to the accuracy or completeness of such information. Dialog Semiconductor furthermore takes no responsibility whatsoever for the content in this document if provided by any information source outside of Dialog Semiconductor.

Dialog Semiconductor reserves the right to change without notice the information published in this document, including without limitation the specification and the design of the related semiconductor products, software and applications.

Applications, software, and semiconductor products described in this document are for illustrative purposes only. Dialog Semiconductor makes no representation or warranty that such applications, software and semiconductor products will be suitable for the specified use without further testing or modification. Unless otherwise agreed in writing, such testing or modification is the sole responsibility of the customer and Dialog Semiconductor excludes all liability in this respect.

Customer notes that nothing in this document may be construed as a license for customer to use the Dialog Semiconductor products, software and applications referred to in this document. Such license must be separately sought by customer with Dialog Semiconductor.

All use of Dialog Semiconductor products, software and applications referred to in this document are subject to [Dialog Semiconductor's Standard Terms and Conditions of Sale](#), available on the company website (www.dialog-semiconductor.com) unless otherwise stated.

Dialog and the Dialog logo are trademarks of Dialog Semiconductor plc or its subsidiaries. All other product or service names are the property of their respective owners.

Qualcomm is a trademark of Qualcomm Incorporated, registered in the United States and other countries. Qualcomm Quick Charge is a trademark of Qualcomm Incorporated. All Qualcomm Incorporated marks are used with permission.

© 2017 Dialog Semiconductor. All rights reserved.

RoHS Compliance

Dialog Semiconductor's suppliers certify that its products are in compliance with the requirements of Directive 2011/65/EU of the European Parliament on the restriction of the use of certain hazardous substances in electrical and electronic equipment. RoHS certificates from our suppliers are available on request.

Contacting Dialog Semiconductor

United Kingdom (Headquarters)
Dialog Semiconductor (UK) LTD
Phone: +44 1793 757700

Germany
Dialog Semiconductor GmbH
Phone: +49 7021 805-0

The Netherlands
Dialog Semiconductor B.V.
Phone: +31 73 640 8822

Email
info_pcbg@diasemi.com

North America
Dialog Semiconductor Inc.
Phone: +1 408 845 8500

Japan
Dialog Semiconductor K. K.
Phone: +81 3 5425 4567

Taiwan
Dialog Semiconductor Taiwan
Phone: +886 281 786 222

Web site:
www.dialog-semiconductor.com

Singapore
Dialog Semiconductor Singapore
Phone: +65 64 8499 29

Hong Kong
Dialog Semiconductor Hong Kong
Phone: +852 3769 5200

Korea
Dialog Semiconductor Korea
Phone: +82 2 3469 8200

China (Shenzhen)
Dialog Semiconductor China
Phone: +86 755 2981 3669

China (Shanghai)
Dialog Semiconductor China
Phone: +86 21 5424 9058

X-ON Electronics

Largest Supplier of Electrical and Electronic Components

Click to view similar products for [Switching Controllers](#) category:

Click to view products by [Dialog Semiconductor](#) manufacturer:

Other Similar products are found below :

[LV5065VB-TLM-H](#) [LV5066V-TLM-H](#) [LV5725JAZ-AH](#) [633888R](#) [MP2908AGF](#) [AZ7500EP-E1](#) [NCP1012AP133G](#) [NCP1217P133G](#)
[NCP1218AD65R2G](#) [NCP1234AD100R2G](#) [NCP1244BD065R2G](#) [NCP1336ADR2G](#) [NCP1587GDR2G](#) [NCP6153MNTWG](#)
[NCP81005MNTWG](#) [NCP81101BMNTXG](#) [NCP81205MNTXG](#) [HV9123NG-G-M934](#) [IR35207MTRPBF](#) [ISL6367HIRZ](#) [CAT874-80ULGT3](#)
[SJ6522AG](#) [SJE6600](#) [TLE63893GV50XUMA1](#) [IR35215MTRPBF](#) [SG3845DM](#) [NCP1216P133G](#) [NCP1236DD65R2G](#) [NCP1247BD100R2G](#)
[NCP1250BP65G](#) [NCP4202MNR2G](#) [NCP4204MNTXG](#) [NCP6132AMNR2G](#) [NCP81141MNTXG](#) [NCP81142MNTXG](#) [NCP81172MNTXG](#)
[NCP81203MNTXG](#) [NCP81206MNTXG](#) [NX2155HCUPTR](#) [UC3845ADM](#) [UBA2051C](#) [IR35201MTRPBF](#) [MAX8778ETJ+](#)
[MAX17500AAUB+T](#) [MAX17411GTM+T](#) [MAX16933ATIR/V+](#) [NCP1010AP130G](#) [NCP1063AD100R2G](#) [NCP1216AP133G](#)
[NCP1217AP100G](#)