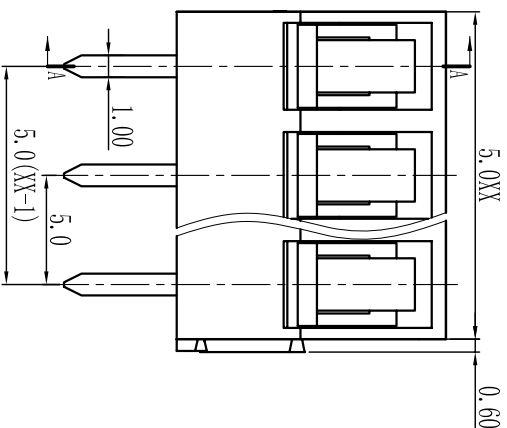
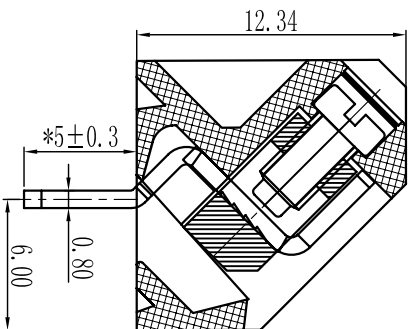
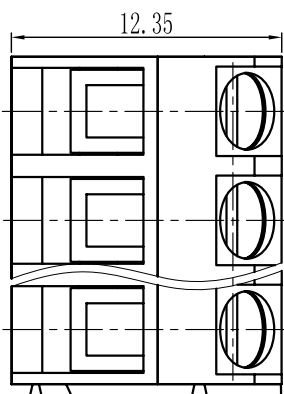
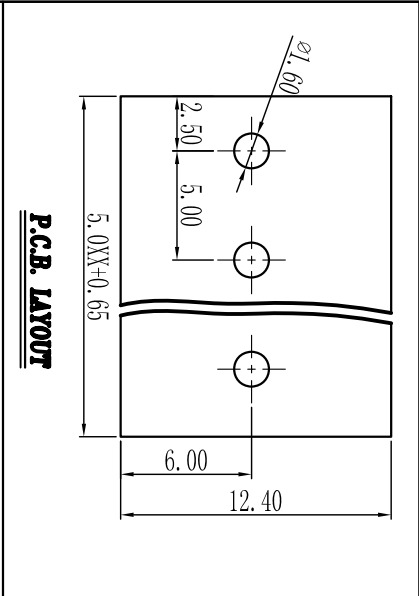




# Cixi Dibo Electronics Co., LTD

产品规格书  
product specification



订购方式：  
HOW TO ORDER

-  -  P -  -  -  -  -

型号/Model:       极数/POLE:       剥线长度/Strip length:       客户需求/Customer Request:

0. 剥线长度/Strip length:       1. 剥线长度/Strip length:       2. 剥线长度/Strip length:

剥线长度/Strip length:       剥线长度/Strip length:       剥线长度/Strip length:

电气性能/Electrical  
 参考标准/Standard: UL IEC  
 额定电压/Rated voltage: 300V 250V  
 额定电流/Rated current: 15A 18A  
 接触电阻/Contact resistance: 20m $\Omega$   
 使用线径/Wire range: 22-14AWG 2.5mm<sup>2</sup>  
 耐电压/Withstanding voltage: AC2000V/1Min  
 绝缘电阻/Insulation resistance: 500M $\Omega$ /DC500V

机械性能/Mechanical  
 温度范围/Temp. Range: -40 $^{\circ}$ C +105 $^{\circ}$ C  
 扭矩/Torque: 0.4Nm (3.5lb`in)  
 剥线长度/Strip length: 4.5-5mm

尺寸/Dimensions  
 间距/Pitch: 5.0mm  
 极数/Poles: 2P-24P

材料及电镀/Material  
 塑件/Housing: PA66, UL94V-0  
 螺丝/Screws: M2.5, steel Zinc plated  
 方块/Cage: Brass, Ni plated  
 焊脚/Pin header: Brass, Snle plated

linear dimension/Tolerances Standard GB/T 14486-2008)

	$\equiv$	-	$\square$	//	$\perp$											
tolerance	±0.1	±0.14	±0.19	±0.25	±0.32	±0.43	±0.57	±0.72	±0.88	±1.05	±1.25	0.5	0.025	0.06	0.12	0.4
variable range	6 to	6 to	10 to	18 to	30 to	50 to	80 to	120 to	160 to	200 to	250 to	all	5 to	5 to	30 to	120 to
over	6	10	18	30	50	80	120	160	200	250	250		5	5	30	120

单位/UNITS: mm    尺寸/SIZE: A4    比例/SCALE: 比例

Cixi Dibo Electronics Co., LTD

名称/NAME: DB102-5.0

第一视角/THIRD ANGLE PROJECTION

## X-ON Electronics

Largest Supplier of Electrical and Electronic Components

*Click to view similar products for [Barrier Terminal Blocks](#) category:*

*Click to view products by [DIBO](#) manufacturer:*

Other Similar products are found below :

[CTA-0103](#) [6PCR-02-008](#) [6PCR-05-008](#) [6PCR-08-008](#) [6PCR-21-006](#) [6PCV-06-008](#) [6PCV-10-009](#) [6PCV-15-008](#) [6STR-06-006](#) [6STR-08-006](#) [6STR-12-008](#) [6STR-14-008](#) [6STR-16-008](#) [6STR-17-008](#) [6STR-21-008](#) [6STR-25-008](#) [6STR-27-008](#) [6STV-03-006](#) [6STV-03-008](#) [6STV-04-006](#) [6STV-10-006](#) [6WWR-03](#) [6WWV-11-008](#) [6WWV-12-008](#) [6WWV-16-008](#) [7-1546701-0](#) [72212603](#) [72503-C](#) [73203](#) [76007](#) [7606-602LF](#) [77010-50](#) [796985-3](#) [796988-4](#) [7C1N08](#) [8-1437402-5](#) [8-1437402-7](#) [8-1546158-0](#) [870505](#) [870903](#) [8PCR-06-006](#) [8PCV-02-008](#) [8PCV-04-008](#) [8PCV-05-008](#) [8PCV-09-006](#) [8PCV-15-006](#) [8PCV-16-006](#) [8PCV-17-006](#) [8QCR-03-008](#) [8STV-04-006](#)