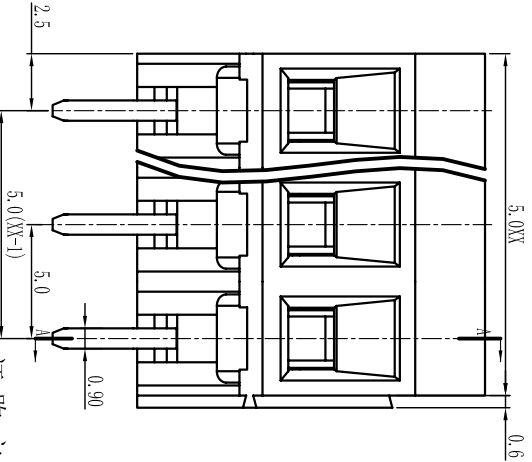
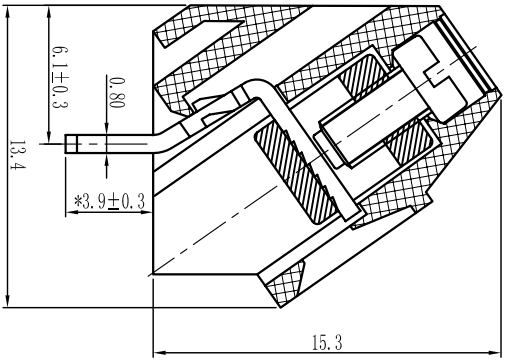
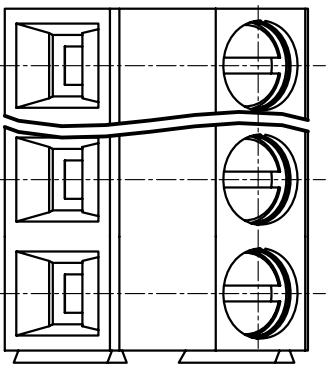
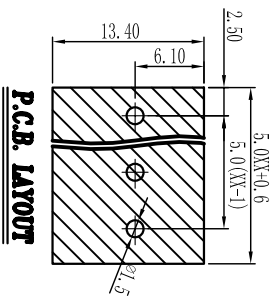




Cixi Dibo Electronics Co., LTD

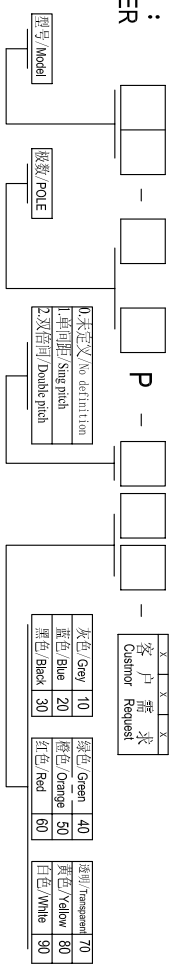
产品规格书
product specification



电气性能/Electrical
 参考标准/Standard: UL IEC
 额定电压/Rated voltage: 300V 250V
 额定电流/Rated current: 10A 18A
 接触电阻/Contact resistance: 20mΩ
 使用线径/Wire range: 24-12AWG 2.5mm²
 耐电压/Withstanding voltage: AC2000V/1Min
 绝缘电阻/Insulation resistance: 500MΩ/DC500V

机械性能/Mechanical
 温度范围/Temp. Range: -40°C+105°C
 扭矩/Torque: 0.4Nm (3.6lb·in)
 剥线长度/Strip length: 6-7mm
尺寸/Dimensions
 间距/Pitch: 5.0mm
 极数/Poles: 2P-24P
材料及电镀/Material
 塑件/Housing: P166, UL94V-0
 螺丝/Screws: M2.5, steel Zinc plated
 方块/Cage: Brass, Ni plated
 焊脚/Pin header: Brass, SnIe plated

订购方式：
HOW TO ORDER



| | | | | | | | | | | | | | | | | |
|--|-----------|-------------|--------------|----------------|-----------------|-------------|--------------|--------------|--------------|--------------|--------------|-----|------------|------------|-------------|-----|
| linear dimension (tolerances Standard GB/T 14486-2008) | ≡ | — | □ | ∥ | ⊥ | | | | | | | | | | | |
| | all | to 5 | over 5 to 30 | over 30 to 120 | over 120 to 250 | | | | | | | | | | | |
| tolerance variable range | ±0.1 to 6 | ±0.14 to 10 | ±0.19 to 18 | ±0.25 to 30 | ±0.32 to 50 | ±0.43 to 80 | ±0.57 to 120 | ±0.72 to 160 | ±0.88 to 200 | ±1.05 to 250 | ±1.25 to 250 | 0.5 | 0.025 to 5 | 0.06 to 30 | 0.12 to 120 | 0.4 |

单位/UNITS: mm 尺寸/SIZE: A4 比例/SCALE: 比例

Cixi Dibo Electronics Co., LTD

名称/NAME: DB103-5.0

第一视角/THIRD ANGLE PROJECTION

X-ON Electronics

Largest Supplier of Electrical and Electronic Components

Click to view similar products for [Barrier Terminal Blocks](#) category:

Click to view products by [DIBO](#) manufacturer:

Other Similar products are found below :

[CTA-0103](#) [6PCR-02-008](#) [6PCR-05-008](#) [6PCR-08-008](#) [6PCR-21-006](#) [6PCV-06-008](#) [6PCV-10-009](#) [6PCV-15-008](#) [6STR-06-006](#) [6STR-08-006](#) [6STR-12-008](#) [6STR-14-008](#) [6STR-16-008](#) [6STR-17-008](#) [6STR-21-008](#) [6STR-25-008](#) [6STR-27-008](#) [6STV-03-006](#) [6STV-03-008](#) [6STV-04-006](#) [6STV-10-006](#) [6WWR-03](#) [6WWV-11-008](#) [6WWV-12-008](#) [6WWV-16-008](#) [7-1546701-0](#) [72212603](#) [72503-C](#) [73203](#) [76007](#) [7606-602LF](#) [77010-50](#) [796985-3](#) [796988-4](#) [7C1N08](#) [8-1437402-5](#) [8-1437402-7](#) [8-1546158-0](#) [870505](#) [870903](#) [8PCR-06-006](#) [8PCV-02-008](#) [8PCV-04-008](#) [8PCV-05-008](#) [8PCV-09-006](#) [8PCV-15-006](#) [8PCV-16-006](#) [8PCV-17-006](#) [8QCR-03-008](#) [8STV-04-006](#)