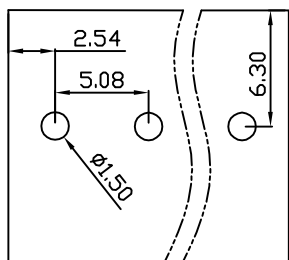
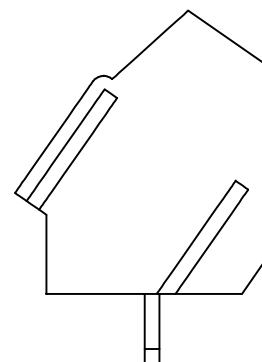
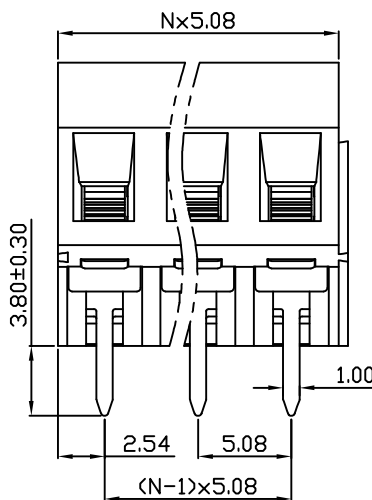
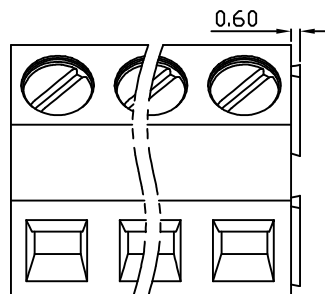
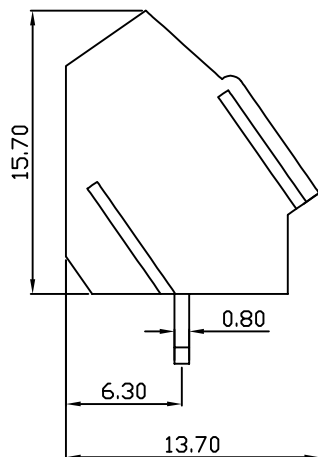


| linear dimension(Tolerances Standard GB/T 14486-2008) | | | | | | | | — | ∇ | \perp |
|---|-------|--------------|---------------|---------------|----------------|-----------------|-------------|-------|----------------|-------------|
| variable range | to 6 | over 6 to 10 | over 10 to 30 | over 30 to 60 | over 60 to 100 | over 100 to 160 | over 160 to | to 10 | over 10 to 100 | over 100 to |
| tolerance | ±0.20 | ±0.30 | ±0.50 | ±0.70 | ±1.00 | ±1.30 | ±1.60 | 0.10 | 0.30 | 0.60 |



PCB Layout



DB103 — 5.08 — XXP — C — S/P
 (Series No.) (Pitch) (Poles) Slotted/Phillips
 (Color) : 1.(Green) 2.(Black) 3.(Blue) 4.(Clear) 5.(Gray)
 6.(Orange) 7.(Red) 8.(White) 9.(Yellow)

APPD: JTING Chen 2022.8.4
 CHKD: Duck Mao 2022.8.4
 DRFT: Steven Lu 2022.8.4

宁波地博电气有限公司
Ningbo Dorabo Electric CO., Ltd

NAME: DB103-5.08-XXP-C-S

| | | | | |
|------------------------|------------|-------|-----|------|
| | SIZE: A4 | | REV | T0-1 |
| TYPE: CUSTOMER_DRAWING | SCALE: 1:1 | SHEET | 1/1 | |

| UL/CUL 技术参数 | | | | |
|--------------------|-----------------------------------|------------------|-----|-----|
| UL/CUL | Technical Data | | | |
| 等级 | Use Group | B | C | D |
| 额定电压 | Rated Voltage [V] | 300 | - | 300 |
| 额定电流 | Rated Current [A] | 16 | - | 10 |
| 接线范围 | Wire Range | 24-12 | | |
| 单/多芯线 | Solid/Stranded [AWG] | | | |
| 耐电压 | Withstanding Voltage | 1600V/1Min | | |
| IEC 技术参数 | | | | |
| IEC Technical Data | | | | |
| 过电压类别 | Overvoltage Category | III | III | II |
| 污染等级 | Contamination Class | 3 | 2 | 2 |
| 额定电压 | Rated Voltage [V] | 250 | 400 | 630 |
| 额定电流 | Rated Current [A] | 24 | 24 | 24 |
| 额定冲击电压 | Impulse withstand voltagea [KV] | 4 | 4 | 4 |
| 导线截面积 | Conductor cross section | 2.5 | | |
| 硬质/柔性导线 | Solid/flexible [mm ²] | | | |
| 材料 Material | | | | |
| 绝缘材料 | Insulation Material | PA66 | | |
| 阻燃等级 | Imflamability | UL94V-0 | | |
| 导体材料 | Contact Material | 铜合金 Copper alloy | | |
| 导体表面镀层 | Contactive Coating | 镀锡 Sn Plated | | |
| 一般参数 Other Data | | | | |
| 间距 | Pitch [mm] | 5.08 | | |
| 极数 | Poles [P] | 02-24 | | |
| 剥线长度 | Stripping Length [mm] | 6-7 | | |
| 螺丝 | Screw/扭矩 Torque(Max) [N.m] | M2.5/0.4 | | |
| 工作温度 | Operating temperatur [°C] | -40~+105 | | |
| 引针尺寸 | Pin Dimensions [mm] | 0.80x1.00 | | |
| PCB板孔径 | PCB Hole Diameter [mm] | 1.50 | | |

X-ON Electronics

Largest Supplier of Electrical and Electronic Components

Click to view similar products for [Fixed Terminal Blocks](#) category:

Click to view products by [DIBO](#) manufacturer:

Other Similar products are found below :

[MBE-1512](#) [MBE-1520](#) [MBE-154](#) [MBE-156](#) [MBES-156](#) [MH-2512](#) [MHE-132](#) [MHE-163](#) [MI-254 \(35\)](#) [MI-272](#) [MPT-275](#) [ELM10110G](#)
[BA311TU](#) [BA411SU](#) [MV-254-D](#) [MV-255](#) [MV-493](#) [MVE-252](#) [MVE-253](#) [MVEB-153](#) [1700096](#) [1705142](#) [1712417](#) [1713088](#) [1745195](#)
[1760594](#) [1-796689-8](#) [1800114](#) [20020314-C121B01LF](#) [20020316-G041B01LF](#) [KP03215000JOG](#) [KP04215000JOG](#) [S451](#) [29.007](#) [29.116](#)
[30.103](#) [30.503](#) [30.608](#) [30.853](#) [9872-0-00-15-00-00-33-0](#) [996750](#) [1706303](#) [1710052](#) [1715394](#) [1733868](#) [1777707](#) [1786769](#) [1-796692-3](#)
[1800883](#) [1868982](#)