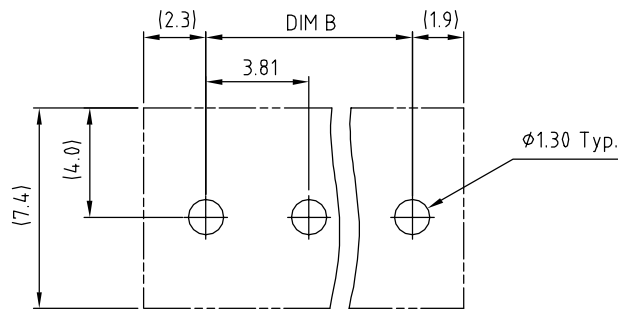
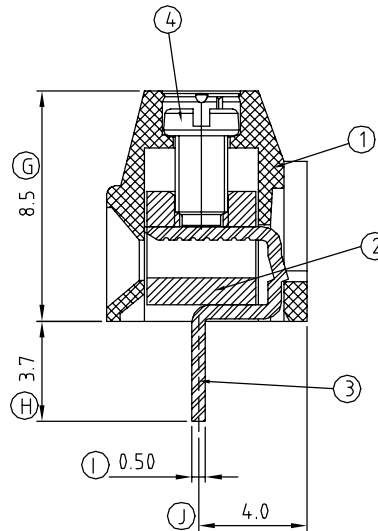
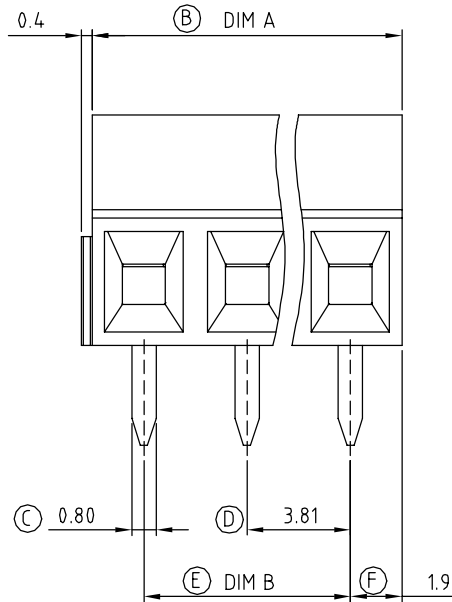


Dimension

Dim A =  $N \times 3.81$   
 Dim B =  $(N-1) \times 3.81$

N = Number of poles  $\Delta$

Poles	TOLERANCE
2P-5P	$\pm 0.15$
6P-12P	$\pm 0.30$
13P-24P	$\pm 0.40$



P.C.B. LAYOUT

SIGN	DATE	DESCRIPTION	APPROVER
$\Delta$	01/26'07	Soldering temperature changed from 245° to 250°	Tason
$\Delta$	01/26'07	Part NO is Changed	Tason
$\Delta$	9/01'08	增加公差标注	Seamus
$\Delta$	9/01'08	Operating temperature changed from -30°C/+105°C to -40°C/+115°C	Seamus
$\Delta$	12/08'10	Add is " TUV "	Aaron

*THIS IS CAD DRAWING, DO NOT REVISE MANUALLY !!!*

Material:

- Item 1 Terminal housing :Thermoplastic (UL 94V-0)
- Item 2 Clamp : Brass,Ni plated
- Item 3 Wire guard solder pin : Brass,Tin plated
- Item 4 Terminal screw: Steel Zinc plating"-slot type

$\Delta$  Electrical cULus / TUV

- Voltage rating: 300V / 300V
- Current rating: 10A / 12A
- Wire range: 0.2~1.5mm<sup>2</sup>
- Solid wire(AWG): 16-24
- Stranded wire(AWG): 16-24
- Torque: 1.7 Lb.in / 0.2Nm (stackable type: 1.5Kgf cm)
- Screw: M2
- Wire strip length: 5-6mm
- Withstanding Voltage: 1.6KV / 1.25KV
- $\Delta$  ● Operating temperature: -40°C to +115°C
- $\Delta$  ● Soldering temperature: 250°C $\pm$ 10°C/5 Sec
- Safety Approval:

		RoHS Pb<40,000ppm	
No. of poles	0 Black (RAL9005)	0000 Standard @ Logo	
02 2 CONTACTS	5 Green(RAL6018/T)	000A Standard ANY Logo	
03 3 CONTACTS	6 Blue (RAL5015/A)	Any special item by customer request,	
... ..	8 Grey(RAL7035/D)	please contact sales department.	
24 24 CONTACTS	C Green(RAL6018/U)		

**DORABO® Cixi Dibo Electronics Co.,LTD**

Model		DB125-3.81-(2-24P)				
APPROVED	CHECKED	DESIGNED	DRAWN	CUST NO.		
			Chen Bo 2011.04.02		Tolerance	
				ALE: NONE	X.	$\pm 0.50$
					X.X	$\pm 0.30$
					X.XX	$\pm 0.10$
					X°	$\pm 1°$

## **X-ON Electronics**

Largest Supplier of Electrical and Electronic Components

*Click to view similar products for [Fixed Terminal Blocks](#) category:*

*Click to view products by [DIBO](#) manufacturer:*

Other Similar products are found below :

[00175550202](#) [MBE-1512](#) [MBE-1520](#) [MBE-154](#) [MBE-156](#) [MBES-1510](#) [MBES-153](#) [MBES-156](#) [MH-2512](#) [MHE-132](#) [MHE-133](#) [MHE-163](#)  
[MI-254 \(35\)](#) [MI-272](#) [8739](#) [880507](#) [880508](#) [MPT-275](#) [1546551-6](#) [ELM023100](#) [ELM10110G](#) [ELVD12100](#) [BA311TU](#) [BA411SU](#) [MV-152](#)  
[MV-253/NCNOC](#) [MV-254-D](#) [MV-255](#) [MV-462](#) [MV-472](#) [MV-493](#) [MVE-252](#) [MVE-253](#) [MVE-258](#) [MVE-273](#) [MVEB-153](#) [1700096](#)  
[1702246](#) [1705142](#) [1712417](#) [1713020](#) [1713088](#) [1776118-2](#) [1790852](#) [1-796689-8](#) [1-796692-6](#) [1800001](#) [1800114](#) [1823215](#) [1838462](#)