

| REVISION RECORD | | | | |
|-----------------|-----|-------------|------|------|
| REV | ECN | DESCRIPTION | DRFT | DATE |
| | | | | |

NOTES1:
 UL Standard
 1.Rated voltage/current : 300V / 20A
 2.Torque value : M2.5 , 3.54lb.in
 3.Wire range : 30~12AWG

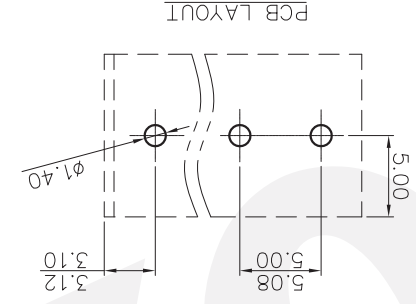
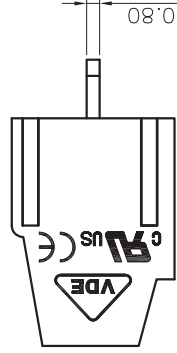
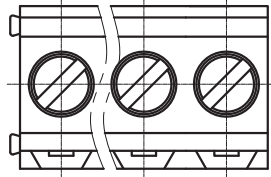
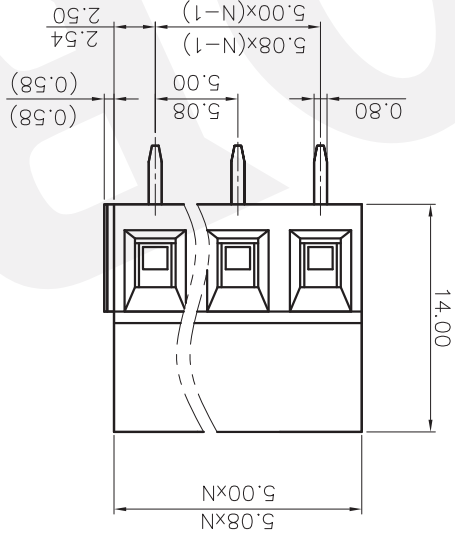
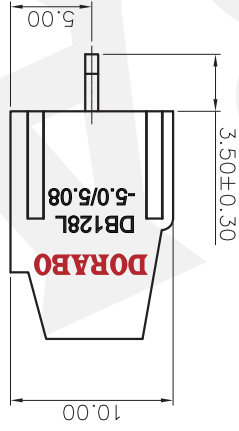
IEC Standard
 1.Rated voltage/current : 250V / 18A
 2.Torque value : M2.5 , 0.4N.m
 3.Wire range : 1.0~2.5mm²

NOTES2:
 1.Dimension shall be interpreted per ASME Y14.5-2009
 2.Pitch : 7.62mm, Poles : N=02~XXP
 3.Stripping length : 6~7mm
 4.Withstanding voltage : AC2000V/1Min
 5.Operating temperature : -40°C~+105°C
 6.Undimensioned tolerances:

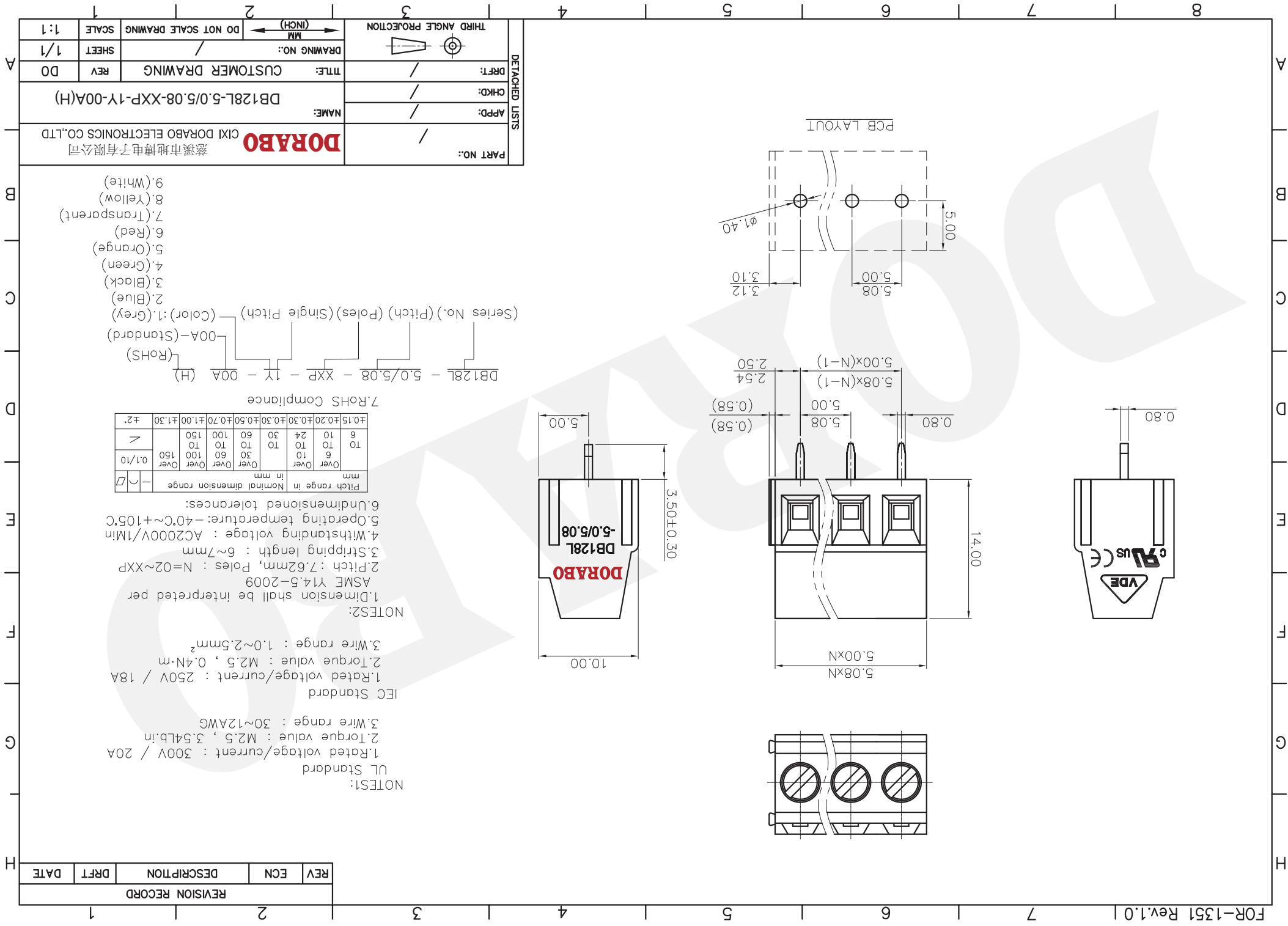
| Pitch range in mm | Nominal dimension range | |
|-------------------|-------------------------|--------|
| | mm | in |
| Over 150 | Over 150 | 0.1/10 |
| Over 100 | Over 100 | 0.1/10 |
| Over 60 | Over 60 | 0.1/10 |
| Over 30 | Over 30 | 0.1/10 |
| Over 10 | Over 10 | 0.1/10 |
| Over 6 | Over 6 | 0.1/10 |
| Over 3 | Over 3 | 0.1/10 |
| Over 2.5 | Over 2.5 | 0.1/10 |
| Over 1.5 | Over 1.5 | 0.1/10 |
| Over 1.0 | Over 1.0 | 0.1/10 |
| Over 0.7 | Over 0.7 | 0.1/10 |
| Over 0.5 | Over 0.5 | 0.1/10 |
| Over 0.3 | Over 0.3 | 0.1/10 |
| Over 0.2 | Over 0.2 | 0.1/10 |
| Over 0.15 | Over 0.15 | 0.1/10 |

7.RoHS Compliance

DB128L - 5.0/5.08 - XXP - 1Y - 00A (H)
 (RoHS)
 00A-(Standard)
 (Color:1:(Grey)
 2:(Blue)
 3:(Black)
 4:(Green)
 5:(Orange)
 6:(Red)
 7:(Transparent)
 8:(Yellow)
 9:(White)



| | | |
|------------------------|---------------------------------|-------|
| PART NO.: | CIXI DORABO ELECTRONICS CO.,LTD | |
| | DORABO 慈溪市地博电子有限公司 | |
| NAME: | DB128L-5.0/5.08-XXP-1Y-00A(H) | |
| APPD: | / | / |
| CHKD: | / | / |
| DRFT: | / | / |
| TITLE: | CUSTOMER DRAWING | REV |
| DRAWING NO.: | / | SHEET |
| DO NOT SCALE DRAWING | | SCALE |
| THIRD ANGLE PROJECTION | | 1:1 |
| (INCH) | | 1 |



X-ON Electronics

Largest Supplier of Electrical and Electronic Components

Click to view similar products for [Fixed Terminal Blocks](#) category:

Click to view products by [DIBO](#) manufacturer:

Other Similar products are found below :

[00175550202](#) [MBE-1512](#) [MBE-1520](#) [MBE-154](#) [MBE-156](#) [MBES-1510](#) [MBES-153](#) [MBES-156](#) [MH-2512](#) [MHE-132](#) [MHE-133](#) [MHE-163](#)
[MI-254 \(35\)](#) [MI-272](#) [8739](#) [880507](#) [880508](#) [MPT-275](#) [1546551-6](#) [ELM023100](#) [ELM10110G](#) [ELVD12100](#) [BA311TU](#) [BA411SU](#) [MV-152](#)
[MV-253/NCNOC](#) [MV-254-D](#) [MV-255](#) [MV-462](#) [MV-472](#) [MV-493](#) [MVE-252](#) [MVE-253](#) [MVE-258](#) [MVE-273](#) [MVEB-153](#) [1700096](#)
[1702246](#) [1705142](#) [1712417](#) [1713020](#) [1713088](#) [1776118-2](#) [1790852](#) [1-796689-8](#) [1-796692-6](#) [1800001](#) [1800114](#) [1823215](#) [1838462](#)