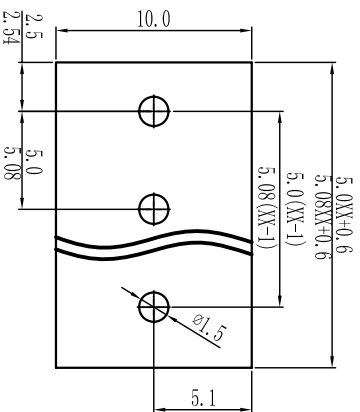


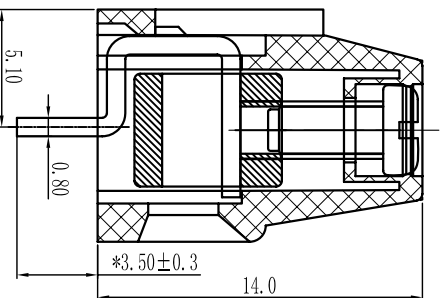
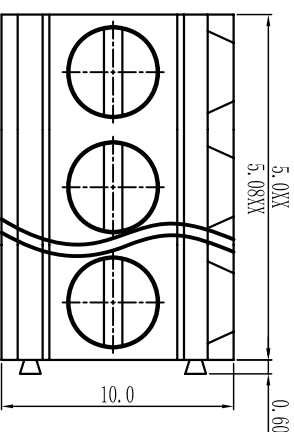
# DORABO<sup>®</sup>

# Cixi Dibo Electronics Co., LTD

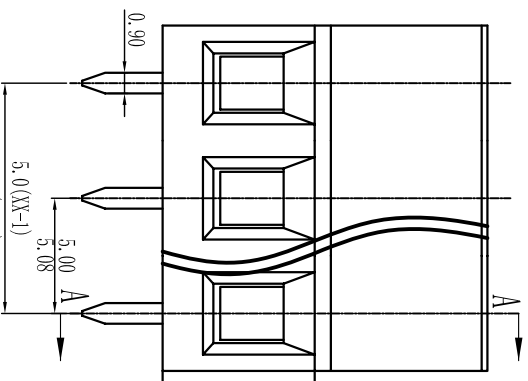
产品规格书  
product specification



**P.C.B. LAYOUT**



**SECTION A-A**



订购方式：  
HOW TO ORDER

linear dimension (Tolerances Standard GB/T 14486-2008)

|                |                 |                 |                 |                 |                 |
|----------------|-----------------|-----------------|-----------------|-----------------|-----------------|
|                | ≡               | —               | □               | ∥               | ⊥               |
| variable range | over 6 to 6     | over 10 to 10   | over 18 to 18   | over 30 to 30   | over 50 to 50   |
| tolerance      | ±0.1            | ±0.14           | ±0.19           | ±0.25           | ±0.32           |
|                | over 6 to 10    | over 10 to 18   | over 18 to 30   | over 30 to 50   | over 50 to 80   |
|                | over 6 to 10    | over 10 to 18   | over 18 to 30   | over 30 to 50   | over 50 to 80   |
|                | over 80 to 120  | over 120 to 160 | over 160 to 200 | over 200 to 250 | over 250 to 300 |
|                | over 80 to 120  | over 120 to 160 | over 160 to 200 | over 200 to 250 | over 250 to 300 |
|                | over 120 to 160 | over 160 to 200 | over 200 to 250 | all to 5        | over 5 to 30    |
|                | over 120 to 160 | over 160 to 200 | over 200 to 250 | over 5 to 30    | over 30 to 120  |
|                | over 120 to 160 | over 160 to 200 | over 200 to 250 | over 30 to 120  | over 120 to 120 |
|                | ±0.57           | ±0.72           | ±1.05           | ±1.25           | 0.5             |
|                | ±0.57           | ±0.72           | ±1.05           | ±1.25           | 0.025           |
|                | ±0.57           | ±0.72           | ±1.05           | ±1.25           | 0.06            |
|                | ±0.57           | ±0.72           | ±1.05           | ±1.25           | 0.12            |
|                | ±0.57           | ±0.72           | ±1.05           | ±1.25           | 0.4             |

电气性能/Electrical

参考标准/Standard: UL IEC

额定电压/Rated voltage: 300V 250V

额定电流/Rated current: 15A 18A

接触电阻/Contact resistance: 20mΩ

使用线径/Wire range: 30-12AWG 2.5mm<sup>2</sup>

耐电压/Withstanding voltage: AC2000V/1Min

绝缘电阻/Insulation resistance: 500MΩ/DC500V

机械性能/Mechanical

温度范围/Temp Range: -40°C+105°C

扭矩/Torque: 0.4Nm(3.54lb·in)

剥线长度/Strip length: 6-7mm

尺寸/Dimensions

间距/Pitch: 5.0mm, 5.08mm

极数/Poles: 2P-24P

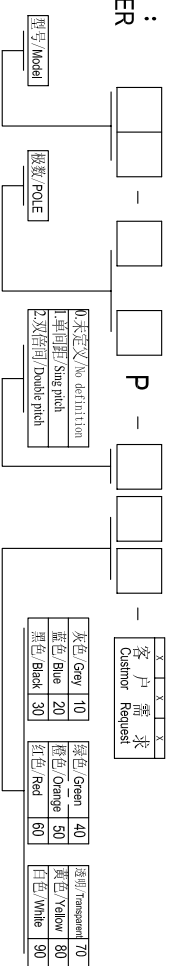
材质及电镀/Material

塑件/Housing: PA66 UL94V-0

螺丝/Screws: M2.5, steel Zinc plated

方块/Cage: Brass, Ni plated

焊脚/Pin header: Brass, Snle plated



Cixi Dibo Electronics Co., LTD

名称/NAME DB128L-5-0/5.08



第一视角/THIRD ANGLE PROJECTION

## **X-ON Electronics**

Largest Supplier of Electrical and Electronic Components

*Click to view similar products for [Fixed Terminal Blocks](#) category:*

*Click to view products by [DIBO](#) manufacturer:*

Other Similar products are found below :

[00175550202](#) [MBE-1512](#) [MBE-1520](#) [MBE-154](#) [MBE-156](#) [MBES-1510](#) [MBES-153](#) [MBES-156](#) [MH-2512](#) [MHE-132](#) [MHE-133](#) [MHE-163](#)  
[MI-254 \(35\)](#) [MI-272](#) [8739](#) [880507](#) [880508](#) [MPT-275](#) [1546551-6](#) [ELM023100](#) [ELM10110G](#) [ELVD12100](#) [BA311TU](#) [BA411SU](#) [MV-152](#)  
[MV-253/NCNOC](#) [MV-254-D](#) [MV-255](#) [MV-462](#) [MV-472](#) [MV-493](#) [MVE-252](#) [MVE-253](#) [MVE-258](#) [MVE-273](#) [MVEB-153](#) [1700096](#)  
[1702246](#) [1705142](#) [1712417](#) [1713020](#) [1713088](#) [1776118-2](#) [1790852](#) [1-796689-8](#) [1-796692-6](#) [1800001](#) [1800114](#) [1823215](#) [1838462](#)