

REVISION RECORD			
REV	ECN	DESCRIPTION	DATE

NOTE1:
 UL Standard
 1.Rated voltage/current : 300V / 20A
 2.Torque value : M2.5 , 3.54lb.in
 3.Wire range : 30~12AWG

IEC Standard
 1.Rated voltage/current : 250V / 18A
 2.Torque value : M2.5 , 0.4N.m
 3.Wire range : 2.5mm²

NOTE2:

1.Dimension shall be interpreted per ASME Y14.5-2009
 2.Pitch : 5.0mm, Poles : N=02~XXP
 3.Stripping length : 6~7mm
 4.Withstanding voltage : AC2000V/1Min
 5.Operating temperature: -40°C~+105°C
 6.Undimensioned tolerances:

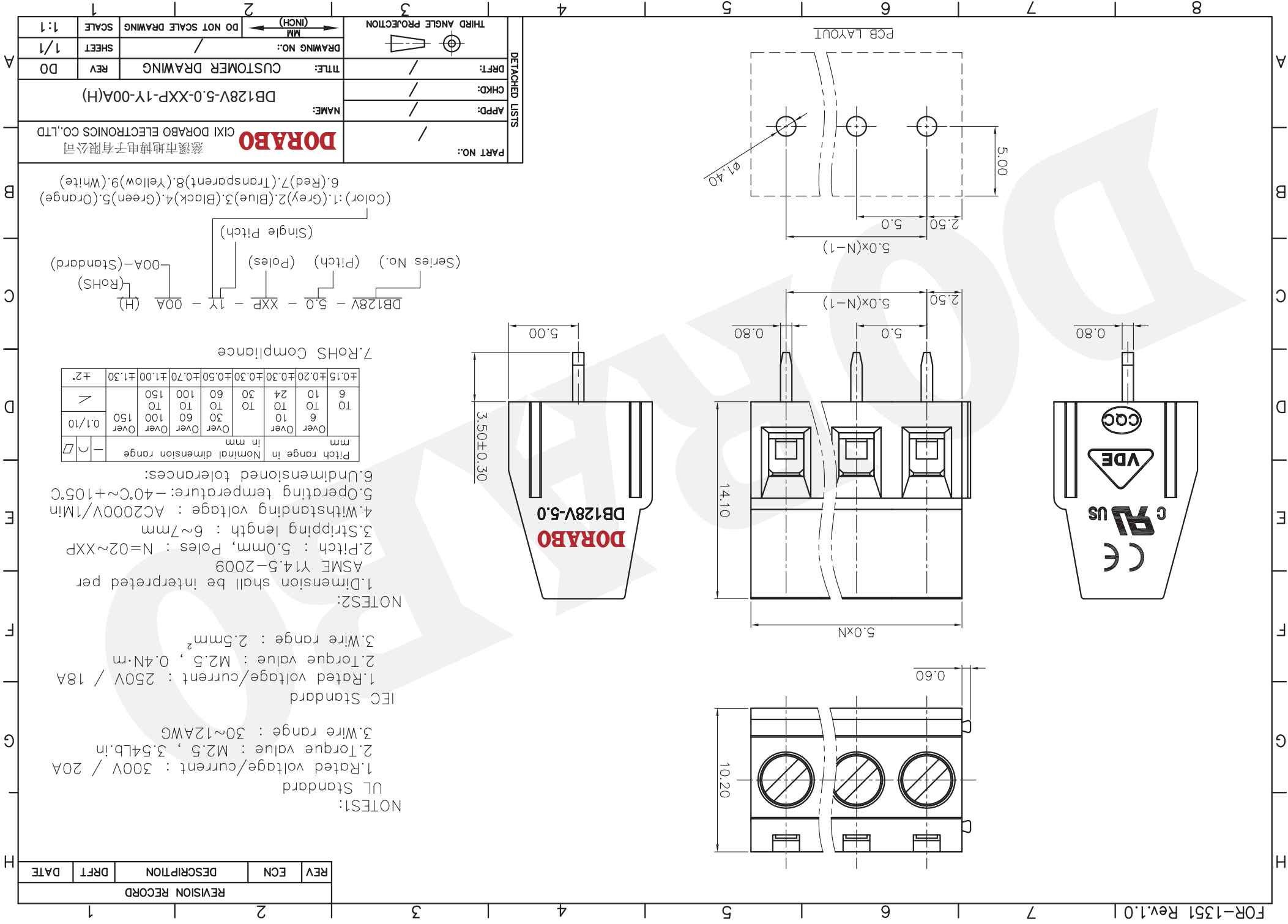
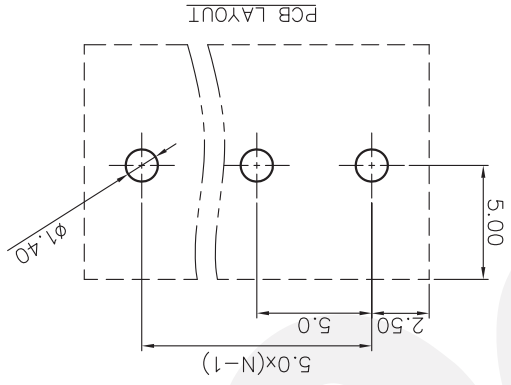
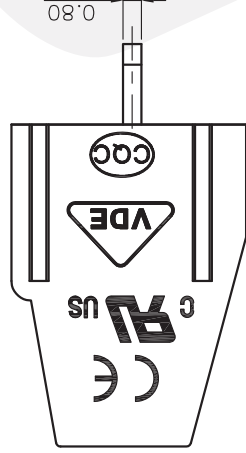
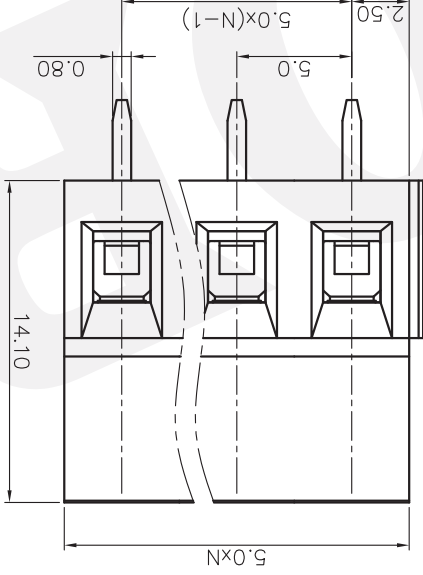
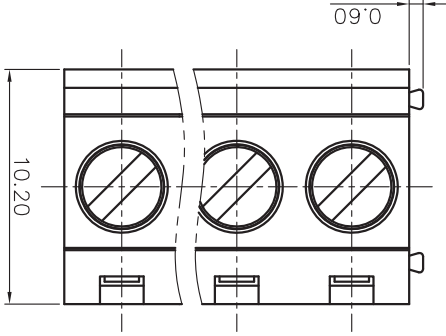
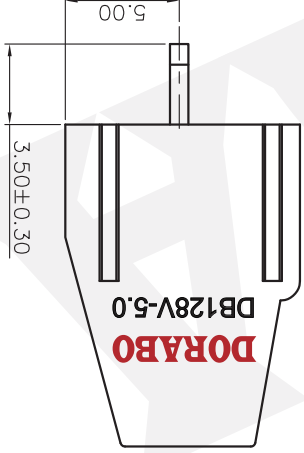
Pitch range in mm	Nominal dimension range in mm	mm	±2.
Over 150	Over 150	0.1/10	∠
Over 100	Over 100	0.1/10	
Over 60	Over 60	0.1/10	
Over 30	Over 30	0.1/10	
Over 10	Over 10	0.1/10	
Over 6	Over 6	0.1/10	
Over 24	Over 24	0.1/10	
Over 30	Over 30	0.1/10	
Over 60	Over 60	0.1/10	
Over 100	Over 100	0.1/10	
Over 150	Over 150	0.1/10	

7.RoHS Compliance

DB128V - 5.0 - XXP - 1X - 00A (H)
 (RoHS)
 00A-(Standard)
 (Series No.) (Pitch) (Poles)
 (Single Pitch)

(Color):1.(Grey)2.(Blue)3.(Black)4.(Green)5.(Orange)
 6.(Red)7.(Transparent)8.(Yellow)9.(White)

PART NO.:	CIXI DORABO ELECTRONICS CO.,LTD	
	DORABO 慈溪市地博电子有限公司	
NAME:	DB128V-5.0-XXP-1Y-00A(H)	APPD: / /
CHKD:	/ /	DRFT: / /
TITLE:	CUSTOMER DRAWING	REV
DRAWING NO.:	/	SHEET
SCALE	1:1	1:1
THIRD ANGLE PROJECTION	(INCH)	DO NOT SCALE DRAWING



X-ON Electronics

Largest Supplier of Electrical and Electronic Components

Click to view similar products for [Aluminium Electrolytic Capacitors - Screw Terminal](#) category:

Click to view products by [DIBO](#) manufacturer:

Other Similar products are found below :

[A331FH221M500A](#) [A331FB472M063A](#) [A331FD153M040A](#) [A331FD682M063A](#) [A331LH223M063A](#) [A331PM682M200A](#)
[36DA332F350CD2A](#) [ETOR401CTH902QEG8N](#) [C1808N680J302T](#) [A331PM472M250A](#) [500X822U450DG1B](#) [A331LH683M025A](#)
[A331LM333M063A](#) [A331TW682M500A](#) [500332U050BB2B](#) [ALS31B1003NX](#) [E32D600LPN133TDA5M](#) [550152M200BC2B](#)
[36DX253G075DC2A](#) [101C282U063AK2A](#) [DB301V-3.5-3P-GN](#) [DB301V-3.5-2P-GN](#) [WR479M1JT1LO5](#) [OBJ35](#) [OBJ35A](#)
[WL338M2WU1AD6](#) [WL 10000U/100V](#) [WL 4700U/200V](#) [B43310A5109M000](#) [B43310C9228M000](#) [B43310A9828M000](#)
[GT1H109M35060SB](#) [GT1H229M35100SB](#) [GT1J229M35120SB](#) [GT2A229M51100SB](#) [GT2W227M35060SB](#) [GT2W228M64120SB](#)
[WR229M1JS80O5](#) [WR188M2WS1MO5](#) [WL158M2WS1AO5](#) [WR478M2WU1PD6](#) [2738](#) [ALS30A151DB500](#) [ALS30A152KF350](#)
[ALS30A682DF100](#) [ALS31A103DE063](#) [ALS40A223DB025](#) [ALS40A223KF063](#) [ALS40A472DF100](#) [ALS40A473DF025](#)