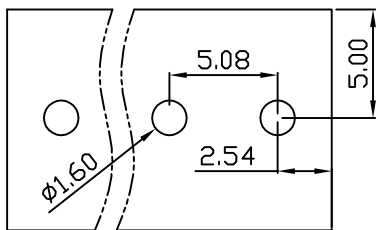
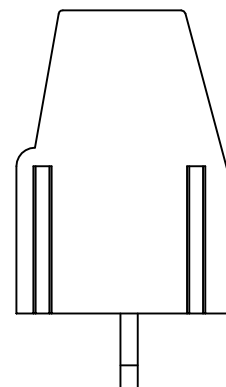
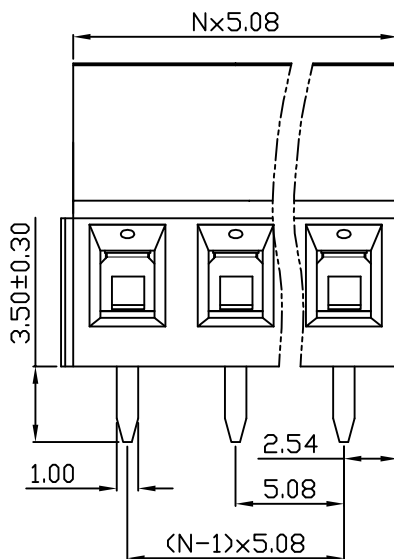
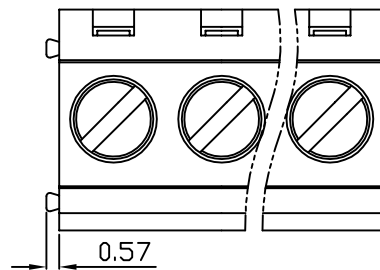
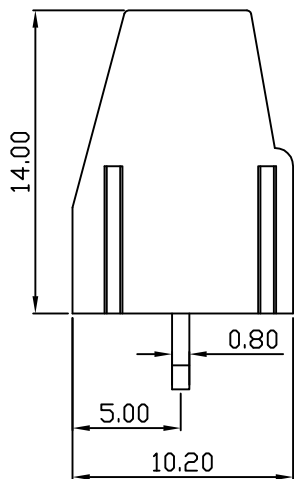


linear dimension(Tolerances Standard GB/T 14486-2008)								—	$\nabla$	$\perp$
variable range	to 6	over 6 to 10	over 10 to 30	over 30 to 60	over 60 to 100	over 100 to 160	over 160 to	to 10	over 10 to 100	over 100 to
tolerance	±0.20	±0.30	±0.50	±0.70	±1.00	±1.30	±1.60	0.10	0.30	0.60



PCB Layout



UL/CUL 技术参数		UL/CUL Technical Data		
等级	Use Group	B	C	D
额定电压	Rated Voltage [V]	300	-	300
额定电流	Rated Current [A]	16	-	10
接线范围	Wire Range	22-12		
单/多芯线	Solid/Stranded [AWG]			
耐电压	Withstanding Voltage	1600V/1Min		
IEC 技术参数		IEC Technical Data		
过电压类别	Overvoltage Category	III	III	II
污染等级	Contamination Class	3	2	2
额定电压	Rated Voltage [V]	250	400	630
额定电流	Rated Current [A]	24	24	24
额定冲击电压	Impulse withstand voltagea [KV]	4	4	4
导线截面积	Conductor cross section	2.5		
硬质/柔性导线	Solid/flexible [mm <sup>2</sup> ]			
材料		Material		
绝缘材料	Insulation Material	PA66		
阻燃等级	Imflamability	UL94V-0		
导体材料	Contact Material	铜合金 Copper alloy		
导体表面镀层	Contactive Coating	镀锡 Sn Plated		
一般参数		Other Data		
间距	Pitch [mm]	5.08		
极数	Poles [P]	02-24		
剥线长度	Stripping Length [mm]	6-7		
螺丝	Screw/扭矩 Torque(Max) [N.m]	M2.5/0.4		
工作温度	Operating temperatur [°C]	-40~+105		
引针尺寸	Pin Dimensions [mm]	0.80x1.00		
PCB板孔径	PCB Hole Diameter [mm]	1.60		

DB128V — 5.08 — XXP — C — S/P  
 (Series No.) (Pitch) (Poles) Slotted/Phillips

(Color):GN:(Green), BK:(Black), BU:(Blue), RD:(Red), GY:(Gray)  
 OG:(Orange), WT:(White), YL:(Yellow), CR:(Clear)

APPD:	JTing Chen	2022.10.27
CHKD:	Duck Mao	2022.10.27
DRFT:	Steven Lu	2022.10.27

**DORABO**

宁波地博电气有限公司  
 Ningbo Dorabo Electric CO., Ltd

NAME:

DB128V-5.08-XXP-C-S

$\oplus$	$\triangleleft$	SIZE: A4	mm (inch)	REV	T0-1
TYPE: CUSTOMER_DRAWING		SCALE: 1:1	SHEET	1/1	

## X-ON Electronics

Largest Supplier of Electrical and Electronic Components

*Click to view similar products for [Fixed Terminal Blocks](#) category:*

*Click to view products by [DIBO](#) manufacturer:*

Other Similar products are found below :

[MBE-1512](#) [MBE-1520](#) [MBE-156](#) [MBES-156](#) [MH-2512](#) [MHE-163](#) [MI-254 \(35\)](#) [MI-272](#) [MPT-275](#) [ELM10110G](#) [BA311TU](#) [BA411SU](#)  
[MV-254-D](#) [MV-255](#) [MV-493](#) [MVE-252](#) [MVE-253](#) [MVEB-153](#) [1700096](#) [1705142](#) [1712417](#) [1713088](#) [1745195](#) [1760594](#) [1-796689-8](#)  
[1800114](#) [20020314-C121B01LF](#) [20020316-G041B01LF](#) [KP03215000J0G](#) [KP04215000J0G](#) [S451](#) [29.116](#) [30.103](#) [30.503](#) [30.608](#) [30.853](#)  
[9872-0-00-15-00-00-33-0](#) [996750](#) [1706303](#) [1710052](#) [1712418](#) [1715394](#) [1733868](#) [1777707](#) [1786769](#) [1-796692-3](#) [1800883](#) [1868982](#)  
[1868995](#) [1932342](#)