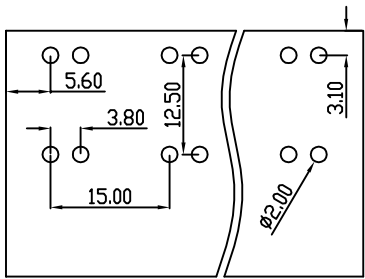
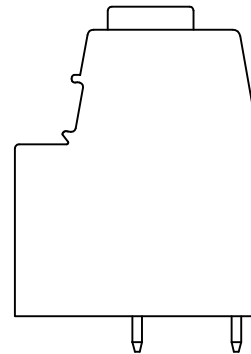
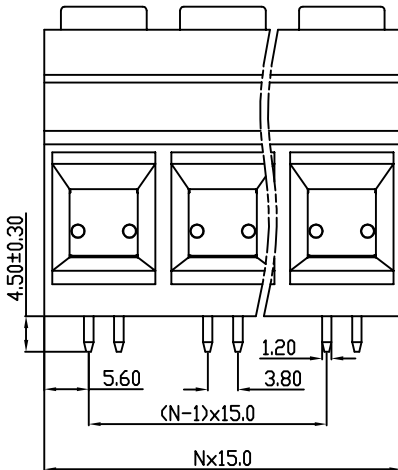
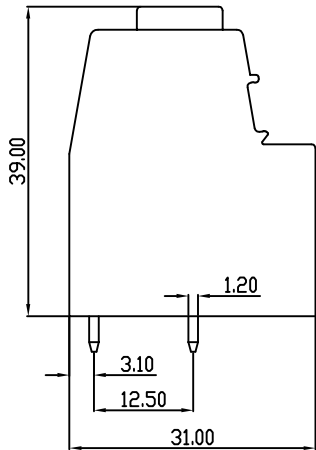
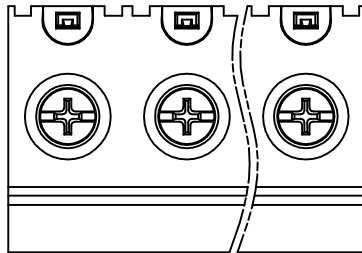


linear dimension(Tolerances Standard GB/T 14486-2008)								—	∕	⊥
variable range	to 6	over 6 to 10	over 10 to 30	over 30 to 60	over 60 to 100	over 100 to 160	over 160 to	to 10	over 10 to 100	over 100 to
tolerance	±0.20	±0.30	±0.50	±0.70	±1.00	±1.30	±1.60	0.10	0.30	0.60



PCB Layout



DB137 — 15.0 — XXP — C — S/P
 (Series No.) (Pitch) (Poles) Slotted/Phillips
 (Color) : 1.(Green) 2.(Black) 3.(Blue) 4.(Clear) 5.(Gray)
 6.(Orange) 7.(Red) 8.(White) 9.(Yellow)

APPD: JTING Chen 2022.4.10
 CHKD: Duck Mao 2022.4.10
 DRFT: Steven Lu 2022.4.10

UL/CUL 技术参数	UL/CUL Technical Data			ULus		
等级	Use Group	B	C	D		
额定电压	Rated Voltage [V]	600	-	600		
额定电流	Rated Current [A]	115	-	5		
接线范围	Wire Range	20-2				
单/多芯线	Solid/Stranded [AWG]					
耐电压	Withstanding Voltage	2200V/1Min				
IEC 技术参数	IEC Technical Data					
过电压类别	Overvoltage Category	III	III	II		
污染等级	Contamination Class	3	2	2		
额定电压	Rated Voltage [V]	1000	1000	1000		
额定电流	Rated Current [A]	125	125	125		
额定冲击电压	Impulse withstand voltagea [KV]	8	8	8		
导线截面积	Conductor cross section	35				
硬质/柔性导线	Solid/flexible [mm²]					
材料	Material					
绝缘材料	Insulation Material	PA66				
阻燃等级	Imflamability	UL94V-0				
导体材料	Contact Material	铜合金 Copper alloy				
导体表面镀层	Contactive Coating	镀锡 Sn Plated				
一般参数	Other Data					
间距	Pitch [mm]	15.0				
极数	Poles [P]	02~10				
剥线长度	Stripping Length [mm]	17-18				
螺丝	Screw/扭矩 Torque(Max) [N.m]	M5/2.0				
工作温度	Operating temperatur [°C]	-40~+105				
引针尺寸	Pin Dimensions [mm]	1.20x1.20				
PCB板孔径	PCB Hole Diameter [mm]	2.00				

DORABO

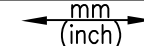
宁波地博电气有限公司
 Ningbo Dorabo Electric CO., Ltd

NAME:

DB137-15.0-XXP-C-P



SIZE: A4



REV T0-1

TYPE: CUSTOMER_DRAWING

SCALE: 1:1

SHEET 1/1

X-ON Electronics

Largest Supplier of Electrical and Electronic Components

Click to view similar products for [Fixed Terminal Blocks](#) category:

Click to view products by [DIBO](#) manufacturer:

Other Similar products are found below :

[MBE-1512](#) [MBE-1520](#) [MBE-154](#) [MBE-156](#) [MBES-156](#) [MH-2512](#) [MHE-132](#) [MHE-163](#) [MI-254 \(35\)](#) [MI-272](#) [MPT-275](#) [ELM10110G](#)
[BA311TU](#) [BA411SU](#) [MV-253/NCNOC](#) [MV-254-D](#) [MV-255](#) [MV-493](#) [MVE-252](#) [MVE-253](#) [MVE-273](#) [MVEB-153](#) [1700096](#) [1705142](#)
[1712417](#) [1713088](#) [1745195](#) [1760594](#) [1-796689-8](#) [1-796692-6](#) [1800114](#) [20020314-C121B01LF](#) [20020316-G041B01LF](#) [KP03215000J0G](#)
[KP04215000J0G](#) [S451](#) [29.007](#) [29.116](#) [30.103](#) [30.106](#) [30.503](#) [30.608](#) [30.755](#) [30.756](#) [30.853](#) [9872-0-00-15-00-00-33-0](#) [996750](#) [1706303](#)
[1710052](#) [1712418](#)