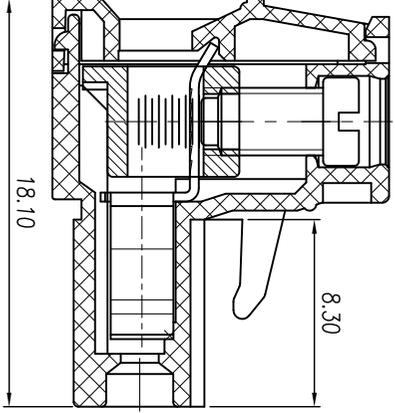
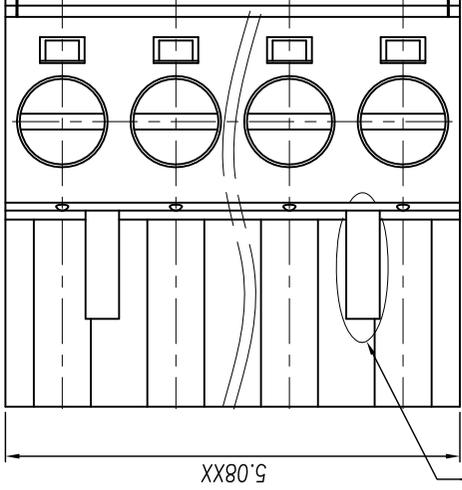
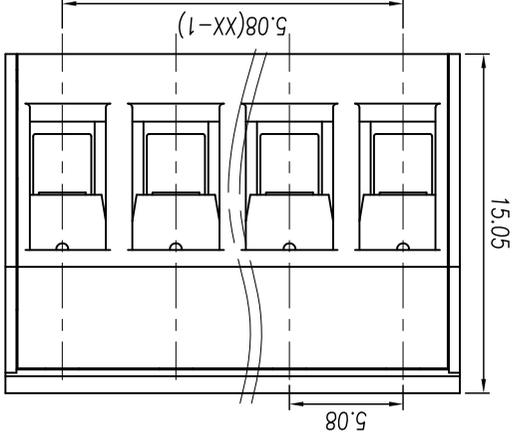


慈溪市地博电子有限公司 Cixi Dibo Electronics Co., LTD

产品规格书
THE SPEC SHEET



电气性能/Electrical
参考标准/Standard
UL 300V 450V
额定电压/Rated voltage
额定电流/Rated current
15A 17.5A
接触电阻/Contact resistance
20mΩ
绝缘电阻/Insulation resistance
500MΩ/DC500V
28~14AWG 1.5mm²
AC 2000V/1 Min
机械性能/Mechanical
最大扭矩/Torque(Max)
0.5Nm(4.5Lb.in)
温度范围/Temp.Range
-40°C~+105°C
尺寸/Dimensions
间距/Pitch
5.08mm
极数/Poles
2~24p
材质及电镀/Material
塑料/Housing
螺丝/Screws
M3.0 Steel, Zn plated
夹子/Clamp
方块/Wire guard
Phosphor bronze, Ni plated
Brass, Ni plated

单位/UNITS
mm
尺寸/SIZE
A4
比例/SCALE
3:1
第三视角/THIRD ANGLE PROJECTION

Cixi Dibo Electronics Co., LTD
名称/

DB2EK-5.08
TITLE

tolerance	variable range	linear dimension(Tolerances Standard GB/T 14486-2008)	≡	—	□	//	L
±0.1	6 to	over	all	to	to	to	to
±0.14	10 to	over	to	to	to	to	to
±0.19	18 to	over	to	to	to	to	to
±0.25	30 to	over	to	to	to	to	to
±0.32	50 to	over	to	to	to	to	to
±0.43	80 to	over	to	to	to	to	to
±0.57	120 to	over	to	to	to	to	to
±0.72	160 to	over	to	to	to	to	to
±0.88	200 to	over	to	to	to	to	to
±1.05	250 to	over	to	to	to	to	to
±1.25	250 to	over	to	to	to	to	to
0.5	5 to	over	to	to	to	to	to
0.025	5 to	over	to	to	to	to	to
0.06	30 to	over	to	to	to	to	to
0.12	120 to	over	to	to	to	to	to
0.4	120 to	over	to	to	to	to	to

X-ON Electronics

Largest Supplier of Electrical and Electronic Components

Click to view similar products for [Pluggable Terminal Blocks](#) category:

Click to view products by [DIBO](#) manufacturer:

Other Similar products are found below :

[57.404.7553](#) [57.504.0053.7](#) [57.510.0053](#) [57.910.6153](#) [01.112.1453](#) [CTB932VE/6](#) [MC 1.5/ 6-ST-3.5 GY AU](#) [ET02015000J0G](#) [734-104](#) [734-302](#) [734-304](#) [8-141-P](#) [FKCT 2.5/ 3-ST KMGY](#) [860505](#) [860508](#) [860516](#) [860810](#) [861908](#) [GBPACX-12](#) [93.731.4953.0](#) [PV05-5,08-K](#) [PVP02-5,00](#) [PVP04-3,50](#) [PVS02-5,00](#) [1-1986160-3](#) [H-10](#) [ELFH09150](#) [ELFH16150](#) [ELFP03110](#) [ELFT06250](#) [ELFT07250](#) [ELVF09400](#) [ELVP03100](#) [ELXH03100](#) [ELXH071G0E](#) [ELXP041G0](#) [ELXT046G0](#) [1700101](#) [1700410](#) [1700425](#) [1703176](#) [1703243](#) [1705229](#) [1710175](#) [1714537](#) [1717806](#) [1719600](#) [1729386](#) [1734692](#) [1734795](#)