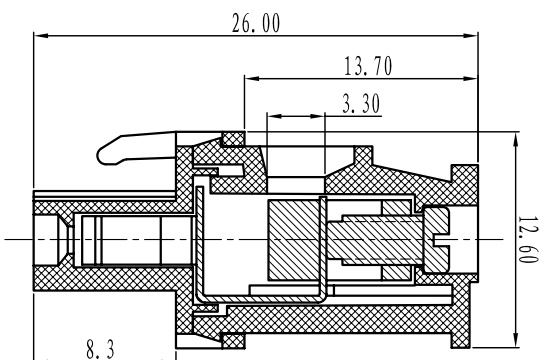
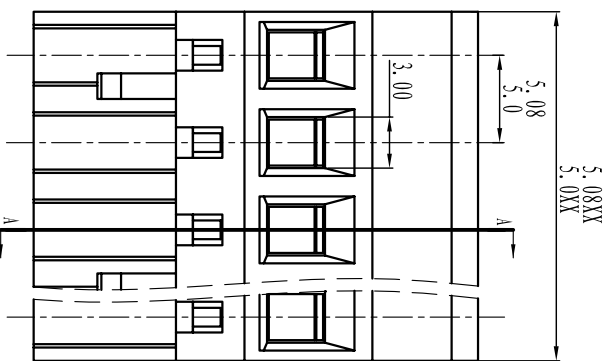


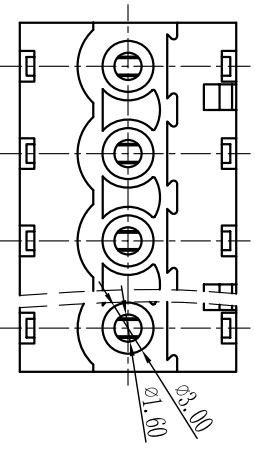


# Cixi Dibo Electronics Co., LTD

产品规格书  
product specification



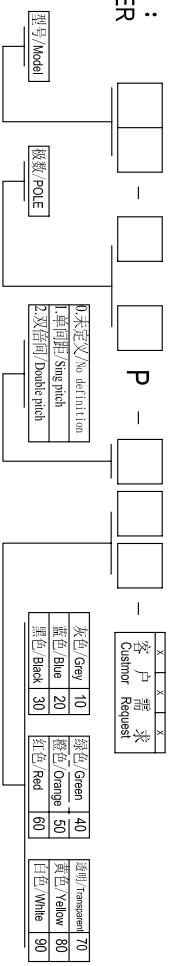
SECTION A-A



TOLERANCES EXCEPT AS NOTED

	linear dimension	fillet	chamfer	短角	短角边	倒角	倒角	倒角	倒角
variable range	6 to 30	6 to 120	6 to 480	6 to 10	5 to 120	6 to 5	5 to 30	5 to 120	5 to 120
tolerance	±0.1	±0.2	±0.3	±0.5	±0.9	±0.2	±0.5	±1	1°
	6 to 30	120 to 480	480 to 120	10 to 50	120 to 50	5 to 30	30 to 120	120 to 50	0.5 to 0.12

订购方式：  
HOW TO ORDER



电性能/Electrical  
 参考标准/Standard: UL IEC  
 额定电压/Rated voltage: 300V 320V  
 额定电流/Rated current: 15A 20A  
 接触电阻/Contact resistance: 20mΩ  
 使用线径/Wire range: 28-14AWG 2.5mm<sup>2</sup>  
 耐电压/Withstanding voltage: AC2000V/1Min  
 绝缘电阻/Insulation resistance: 500MΩ/DC500V  
 机械性能/Mechanical  
 温度范围/Temp Range: -40°C+105°C  
 扭矩/Torque: 0.5Nm(4.51b·in)  
 剥线长度/Strip length: 7-8mm  
 尺寸/Dimensions  
 间距/Pitch: 5.0mm, 5.08mm  
 极数/Poles: 02P-24P  
 材质及电镀/Material  
 塑件/Housing: PA66, UL94V-0  
 螺丝/Screws: M3, steel Zinc plated  
 夹子/Clamp: Brass, Ni plated  
 方块/wire guard: Phosphor bronze, Ni plated

单位/UNITS	mm	尺寸/SIZE	A4	比例/SCALE	第一视角/FIRST ANGLE PROJECTION
Cixi Dibo Electronics Co., LTD					
名称/NAME	DB2EKA-5.0/5.08				

## X-ON Electronics

Largest Supplier of Electrical and Electronic Components

*Click to view similar products for [Pluggable Terminal Blocks](#) category:*

*Click to view products by [DIBO](#) manufacturer:*

Other Similar products are found below :

[57.404.7553](#) [57.504.0053.7](#) [57.510.0053](#) [57.910.6153](#) [01.112.1453](#) [CTB932VE/6](#) [MC 1.5/ 6-ST-3.5 GY AU](#) [ET02015000J0G](#) [734-104](#) [734-302](#) [734-304](#) [8-141-P](#) [FKCT 2.5/ 3-ST KMGY](#) [860505](#) [860508](#) [860516](#) [860810](#) [861908](#) [GBPACX-12](#) [93.731.4953.0](#) [PV05-5,08-K](#) [PVP02-5,00](#) [PVP04-3,50](#) [PVS02-5,00](#) [1-1986160-3](#) [H-10](#) [ELFH09150](#) [ELFH16150](#) [ELFP03110](#) [ELFT06250](#) [ELFT07250](#) [ELVF09400](#) [ELVP03100](#) [ELXH03100](#) [ELXH071G0E](#) [ELXP041G0](#) [ELXT046G0](#) [1700101](#) [1700410](#) [1700425](#) [1703176](#) [1703243](#) [1705229](#) [1710175](#) [1714537](#) [1717806](#) [1719600](#) [1729386](#) [1734692](#) [1734795](#)