

电气性能/Electrical

参考标准/Standard: UL IEC
 额定电压/Rated voltage: 300V 320V
 额定电流/Rated current: 15A 20A
 接触电阻/Contact resistance: 20mΩ
 使用线径/Wire range: 28-14AWG 2.5mm²
 耐电压/Withstanding voltage: AC2000V/1Min
 绝缘电阻/Insulation resistance: 500MΩ/DC500V

机械性能/Mechanical

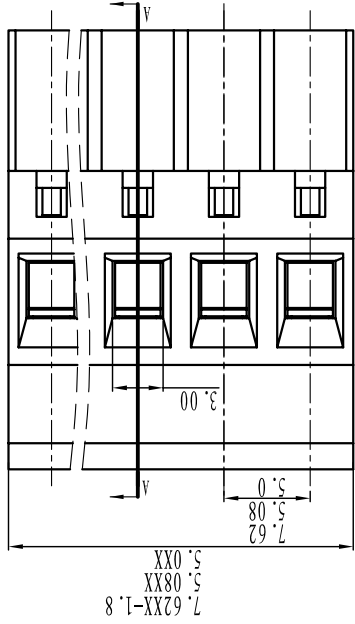
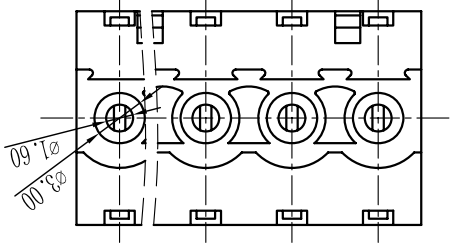
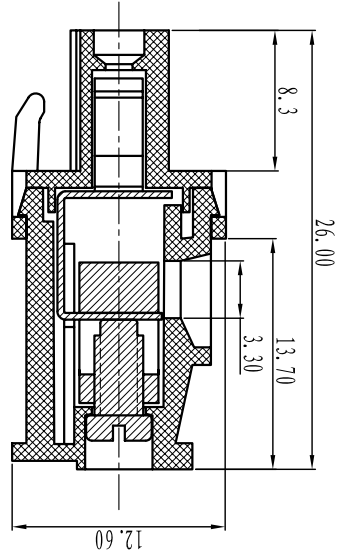
温度范围/Temp.Range: -40°C+105°C
 扭矩/Torque: 0.5Nm (4.51b in)
 剥线长度/Strip length: 7-8mm

尺寸/Dimensions

间距/Pitch: 5.0mm, 5.08mm, 7.62mm
 极数/Poles: 02P-24P

材质及电镀/Material

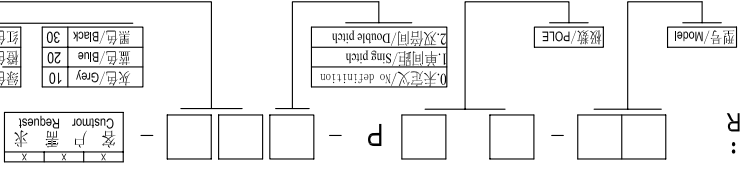
塑件/Housing: PA66, UL94V-0
 螺丝/Screws: M3, steel Zinc plated
 夹子/Clamp: Brass, Ni plated
 方块/wire guard: Phosphor bronze, Ni plated



TOOLERANCES EXCEPT AS NOTED

linear dimension	±0.5	±0.9	±0.2	±0.5	±1	1°	30'	20'	10'	0.5	0.025	0.06	0.12	0.4
fillet	all	all	all	all	all	all	all	all	all	all	all	all	all	all
chamfer	6	6	6	6	6	6	6	6	6	6	6	6	6	6
short angle sid	10	10	10	10	10	10	10	10	10	10	10	10	10	10
over	over	over	over	over	over	over	over	over	over	over	over	over	over	over
range	to	to	to	to	to	to	to	to	to	to	to	to	to	to
tolerance	±0.1	±0.2	±0.3	±0.5	±0.9	1°	30'	20'	10'	0.5	0.025	0.06	0.12	0.4

订购方式:
HOW TO ORDER:



灰色/Grey	10	蓝色/Blue	20	黑色/Black	30
绿色/Green	40	橙色/Orange	50	红色/Red	60
透明/Transparent	70	黄色/Yellow	80	白色/White	90

单位/UNITS mm 尺寸/SIZE A4 比例/SCALE

Cixi Dibo Electronics Co., LTD

名称/NAME

DB2EKB-5.0/5.08-XXP



X-ON Electronics

Largest Supplier of Electrical and Electronic Components

Click to view similar products for [Pluggable Terminal Blocks](#) category:

Click to view products by [DIBO](#) manufacturer:

Other Similar products are found below :

[57.404.7553](#) [57.504.0053.7](#) [57.510.0053](#) [57.910.6153](#) [01.112.1453](#) [CTB932VE/6](#) [MC 1.5/ 6-ST-3.5 GY AU](#) [ET02015000J0G](#) [734-104](#) [734-302](#) [734-304](#) [8-141-P](#) [FKCT 2.5/ 3-ST KMGY](#) [860505](#) [860508](#) [860516](#) [860810](#) [861908](#) [GBPACX-12](#) [93.731.4953.0](#) [PV05-5,08-K](#) [PVP02-5,00](#) [PVP04-3,50](#) [PVS02-5,00](#) [1-1986160-3](#) [H-10](#) [ELFH09150](#) [ELFH16150](#) [ELFP03110](#) [ELFT06250](#) [ELFT07250](#) [ELVF09400](#) [ELVP03100](#) [ELXH03100](#) [ELXH071G0E](#) [ELXP041G0](#) [ELXT046G0](#) [1700101](#) [1700410](#) [1700425](#) [1703176](#) [1703243](#) [1705229](#) [1710175](#) [1714537](#) [1717806](#) [1719600](#) [1729386](#) [1734692](#) [1734795](#)