

电气性能/Electrical

参考标准/Standard: UL IEC  
 额定电压/Rated voltage: 300V 320V  
 额定电流/Rated current: 15A 20A  
 接触电阻/Contact resistance: 20mΩ  
 使用线径/Wire range: 28-14AWG 2.5mm<sup>2</sup>  
 耐电压/Withstanding voltage: AC2000V/1Min  
 绝缘电阻/Insulation resistance: 500MΩ/DC500V

机械性能/Mechanical

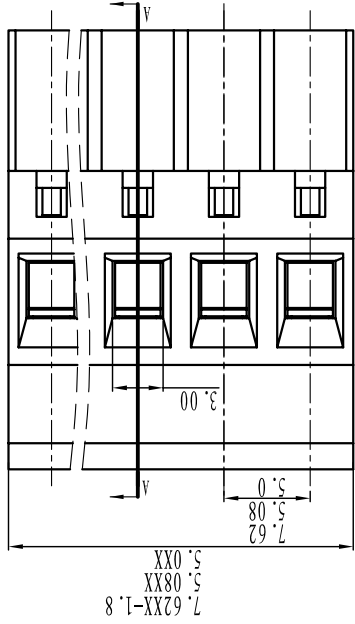
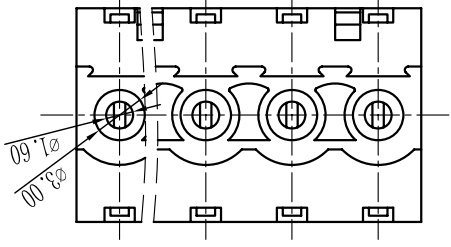
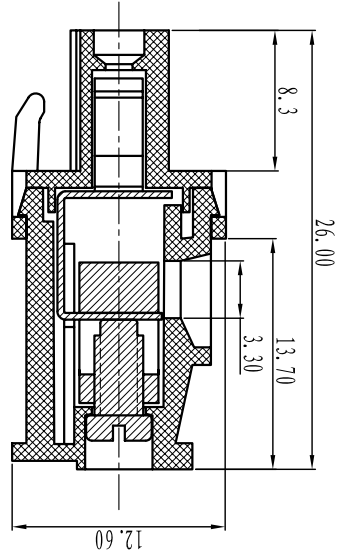
温度范围/Temp.Range: -40°C+105°C  
 扭矩/Torque: 0.5Nm (4.51b in)  
 剥线长度/Strip length: 7-8mm

尺寸/Dimensions

间距/Pitch: 5.0mm, 5.08mm, 7.62mm  
 极数/Poles: 02P-24P

材质及电镀/Material

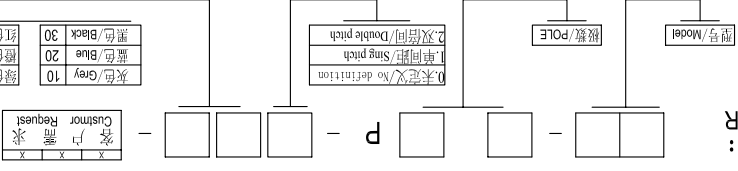
塑件/Housing: PA66, UL94V-0  
 螺丝/Screws: M3, steel Zinc plated  
 夹子/Clamp: Brass, Ni plated  
 方块/wire guard: Phosphor bronze, Ni plated



TOOLERANCES EXCEPT AS NOTED

|                  |                  |        |           |                  |        |           |          |       |           |
|------------------|------------------|--------|-----------|------------------|--------|-----------|----------|-------|-----------|
| linear dimension | linear dimension | fillet | chamfer   | short angle side | ≡      | ≠         | □        | ∥     | ⊥         |
| tolerance        | variable         | range  | tolerance | variable         | range  | tolerance | variable | range | tolerance |
| ±0.1             | ±0.1             | 6 to   | ±0.5      | ±0.5             | 6 to   | ±1        | ±1       | 10 to | ±0.4      |
| ±0.2             | ±0.2             | 6 to   | ±0.2      | ±0.2             | 6 to   | ±1        | ±1       | 10 to | 0.12      |
| ±0.3             | ±0.3             | 6 to   | ±0.9      | ±0.9             | all to | ±1        | ±1       | 10 to | 0.06      |
| ±0.5             | ±0.5             | 6 to   | ±0.5      | ±0.5             | all to | ±1        | ±1       | 10 to | 0.025     |
| ±0.5             | ±0.5             | 6 to   | ±0.9      | ±0.9             | all to | ±1        | ±1       | 10 to | 0.5       |
| ±0.3             | ±0.3             | 6 to   | ±0.5      | ±0.5             | all to | ±1        | ±1       | 10 to | 0.5       |
| ±0.2             | ±0.2             | 6 to   | ±0.5      | ±0.5             | all to | ±1        | ±1       | 10 to | 0.5       |
| ±0.1             | ±0.1             | 6 to   | ±0.5      | ±0.5             | all to | ±1        | ±1       | 10 to | 0.5       |

订购方式:  
HOW TO ORDER:



|                      |                     |                     |
|----------------------|---------------------|---------------------|
| 0. 未定义/No definition | 1. 单间距/Single pitch | 2. 双间距/Double pitch |
| 灰色/Grey 10           | 蓝色/Blue 20          | 黑色/Black 30         |
| 绿色/Green 40          | 棕色/Orange 50        | 红色/Red 60           |
| 透明/Transparent 70    | 黄色/Yellow 80        | 白色/White 90         |

单位/UNITS mm 尺寸/SIZE A4 比例/SCALE

Cixi Dibo Electronics Co., LTD

名称/NAME

DB2EKB-5.0/5.08-XXP



## X-ON Electronics

Largest Supplier of Electrical and Electronic Components

*Click to view similar products for [Pluggable Terminal Blocks](#) category:*

*Click to view products by [DIBO](#) manufacturer:*

Other Similar products are found below :

[57.404.7553](#) [57.504.0053.7](#) [57.510.0053](#) [57.910.6153](#) [01.112.1453](#) [CTB932VE/6](#) [MC 1.5/ 6-ST-3.5 GY AU](#) [ET02015000J0G](#) [734-104](#) [734-302](#) [734-304](#) [8-141-P](#) [FKCT 2.5/ 3-ST KMGY](#) [860505](#) [860508](#) [860516](#) [860810](#) [861908](#) [GBPACX-12](#) [93.731.4953.0](#) [PV05-5,08-K](#) [PVP02-5,00](#) [PVP04-3,50](#) [PVS02-5,00](#) [1-1986160-3](#) [H-10](#) [ELFH09150](#) [ELFH16150](#) [ELFP03110](#) [ELFT06250](#) [ELFT07250](#) [ELVF09400](#) [ELVP03100](#) [ELXH03100](#) [ELXH071G0E](#) [ELXP041G0](#) [ELXT046G0](#) [1700101](#) [1700410](#) [1700425](#) [1703176](#) [1703243](#) [1705229](#) [1710175](#) [1714537](#) [1717806](#) [1719600](#) [1729386](#) [1734692](#) [1734795](#)