

REVISION RECORD			
REV	ECN	DESCRIPTION	DATE

NOTES1:
 UL Standard
 1. Rated voltage/current : 300V / 10A
 2. Withstanding voltage : AC1600V/1min.
 3. Torque value : M2.5 , 3.54lb.in
 4. Wire range : 28~12AWG

IEC Standard
 1. Pollution Degree 2
 Overvoltage Category III
 Rate Impulse Voltage(kV) 4.0KV
 Rate Voltage(V) 320V
 Rate Current(A) 20A

NOTES2:
 2. Torque value : M2.5 , 0.4N.m
 3. Wire range : 0.2~2.5mm²

1. Dimension shall be interpreted per ASME Y14.5-2009
 2. Pitch : 5.0/5.08mm, Poles : N=02~24P
 3. Striping length : 9~10mm
 4. Operating temperature : -40°C~+105°C
 5. Undimensioned tolerances:
 Pitch range in mm
 Nominal dimension range

±0.15	±0.20	±0.30	±0.50	±0.70	±1.00	±1.30	±2.
To	To	To	To	To	To	To	To
6	10	24	30	60	100	150	
Over	Over	Over	Over	Over	Over	Over	Over
0.1/10	150	100	60	30	100	150	

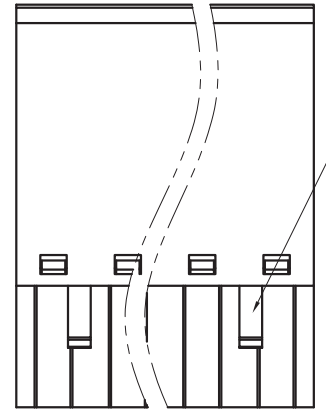
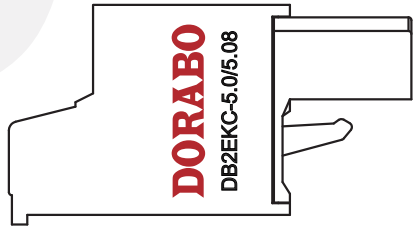
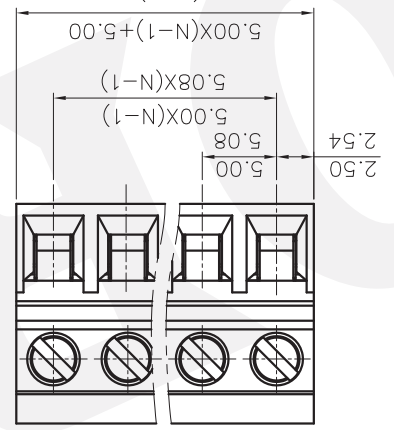
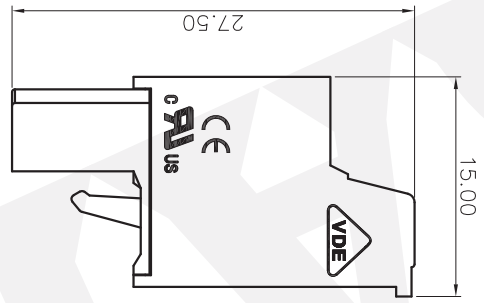
6. RoHS Compliance

PART NO.:	/	NAME:	DB2EKC-5.0/5.08-XXP-1Y-00A(H)		
			TITLE:	CUSTOMER DRAWING	
DRFT:	/	APPD:	/	CHKD:	/
REV:	DO	SHEET:	1/1	SCALE:	1:1
THIRD ANGLE PROJECTION		DO NOT SCALE DRAWING		SCALE	1:1

DETACHED LISTS

DB2EKC - 5.0/5.08 - XXP - 1Y - 00A (H)
 (RoHS)
 00A-(Standard)
 (Series No.) (Pitch) (Poles) (Single Pitch)

(Color): 1.(Grey) 2.(Blue) 3.(Black) 4.(Green) 5.(Orange)
 6.(Red) 7.(Transparent) 8.(Yellow) 9.(White)



02P: Clasp on the left from this view

X-ON Electronics

Largest Supplier of Electrical and Electronic Components

Click to view similar products for [Pluggable Terminal Blocks](#) category:

Click to view products by [DIBO](#) manufacturer:

Other Similar products are found below :

[57.404.7553](#) [57.504.0053.7](#) [57.510.0053](#) [57.910.6153](#) [01.112.1453](#) [CTB932VE/6](#) [MC 1.5/ 6-ST-3.5 GY AU](#) [ET02015000J0G](#) [734-104](#) [734-302](#) [734-304](#) [8-141-P](#) [FKCT 2.5/ 3-ST KMGY](#) [860505](#) [860508](#) [860516](#) [860810](#) [861908](#) [GBPACX-12](#) [93.731.4953.0](#) [PV05-5,08-K](#) [PVP02-5,00](#) [PVP04-3,50](#) [PVS02-5,00](#) [1-1986160-3](#) [H-10](#) [1546228-5](#) [ELFH09150](#) [ELFH16150](#) [ELFP03110](#) [ELFT06250](#) [ELFT07250](#) [ELVF09400](#) [ELVP03100](#) [ELXH03100](#) [ELXH071G0E](#) [ELXP041G0](#) [ELXT046G0](#) [1700101](#) [1700410](#) [1700425](#) [1703176](#) [1705229](#) [1710175](#) [1714537](#) [1717806](#) [1719600](#) [1729386](#) [1734692](#) [1734795](#)