

REVISION RECORD			
REV	ECN	DESCRIPTION	DATE

1

NOTES1:  
UL Standard

1. Rated voltage/current : 300V / 10A
2. Withstanding voltage : AC1600V/1min.
3. Torque value : M2.5 , 3.54lb.in
4. Wire range : 28~12AWG

IEC Standard

1.	Pollution Degree	2
	Overvoltage Category	III
	Rate Impulse Voltage(kV)	4.0kV
	Rate Voltage(V)	320V
	Rate Current(A)	20A

2. Torque value : M2.5 , 0.4N.m
3. Wire range : 0.2~2.5mm<sup>2</sup>

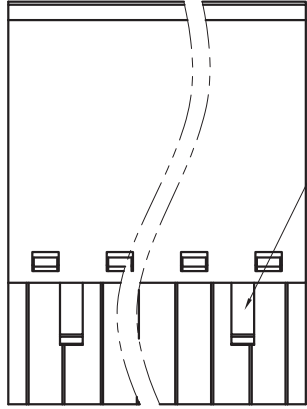
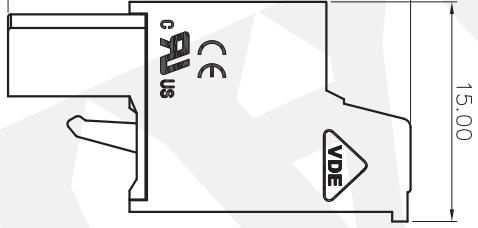
NOTES2:

1. Dimension shall be interpreted per ASME Y14.5-2009

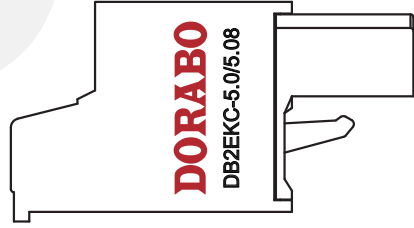
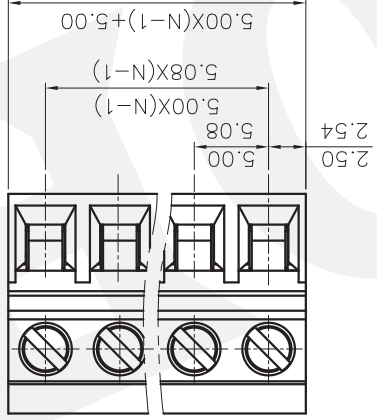
2. Pitch : 5.0/5.08mm, Poles : N=02~24P
3. Striping length : 9~10mm
4. Operating temperature : -40°C~+105°C
5. Undimensioned tolerances:

Pitch range in mm	Nominal dimension range in mm	mm	mm
Over	Over	Over	Over
6 TO 10	30 TO 60	100 TO 150	0.1/10
10 TO 24	30 TO 60	100 TO 150	0.1/10
24 TO 30	30 TO 60	100 TO 150	0.1/10
30 TO 60	30 TO 60	100 TO 150	0.1/10
60 TO 100	30 TO 60	100 TO 150	0.1/10
100 TO 150	30 TO 60	100 TO 150	0.1/10
±2.	±1.30	±1.00	±2.
±0.15	±0.30	±0.70	±2.
±0.20	±0.30	±0.50	±2.
±0.30	±0.30	±0.70	±2.

6.RoHS Compliance



02P: Clasp on the left from this view



DB2EKC - 5.0/5.08 - XXP - 1Y - 00A (H)  
(RoHS)  
00A-(Standard)

(Series No.) (Pitch) (Poles) (Single Pitch)

(Color): 1.(Grey) 2.(Blue) 3.(Black) 4.(Green) 5.(Orange) 6.(Red) 7.(Transparent) 8.(Yellow) 9.(White)

PART NO.:	/	
	CIXI DORABO ELECTRONICS CO.,LTD	
NAME:	DB2EKC-5.0/5.08-XXP-1Y-00A(H)	
APPD:	/	
CHKD:	/	
DRFT:	/	
TITLE:	CUSTOMER DRAWING	
REV	DO	
SHEET	1/1	
SCALE	1:1	
DO NOT SCALE DRAWING	1	

THIRD ANGLE PROJECTION



(INCH)

2

1

A

B

C

D

E

F

G

H

4

5

6

7

8

A

B

C

D

E

F

G

H

## X-ON Electronics

Largest Supplier of Electrical and Electronic Components

*Click to view similar products for [Pluggable Terminal Blocks](#) category:*

*Click to view products by [DIBO](#) manufacturer:*

Other Similar products are found below :

[57.404.7553](#) [57.504.0053.7](#) [57.510.0053](#) [57.910.6153](#) [01.112.1453](#) [CTB932VE/6](#) [MC 1.5/ 6-ST-3.5 GY AU](#) [ET02015000J0G](#) [734-104](#) [734-302](#) [734-304](#) [8-141-P](#) [FKCT 2.5/ 3-ST KMGY](#) [860505](#) [860508](#) [860516](#) [860810](#) [861908](#) [GBPACX-12](#) [93.731.4953.0](#) [PV05-5,08-K](#) [PVP02-5,00](#) [PVP04-3,50](#) [PVS02-5,00](#) [1-1986160-3](#) [H-10](#) [1546228-5](#) [ELFH09150](#) [ELFH16150](#) [ELFP03110](#) [ELFT06250](#) [ELFT07250](#) [ELVF09400](#) [ELVP03100](#) [ELXH03100](#) [ELXH071G0E](#) [ELXP041G0](#) [ELXT046G0](#) [1700101](#) [1700410](#) [1700425](#) [1703176](#) [1705229](#) [1710175](#) [1714537](#) [1717806](#) [1719600](#) [1729386](#) [1734692](#) [1734795](#)