

REVISION RECORD			
REV	ECN	DESCRIPTION	DATE

REV	ECN	DESCRIPTION	DATE

NOTES1:

- 1. Rated voltage/current : 300V / 10A
- 2. Withstanding voltage : AC1600V/1min.
- 3. Torque value : M2.5 , 3.54lb.in
- 4. Wire range : 28~12AWG

IEC Standard

1.	Pollution Degree	2
	Overvoltage Category	III
	Rate Impulse Voltage(kV)	4.0kV
	Rate Voltage(V)	320V
	Rate Current(A)	20A

NOTES2:

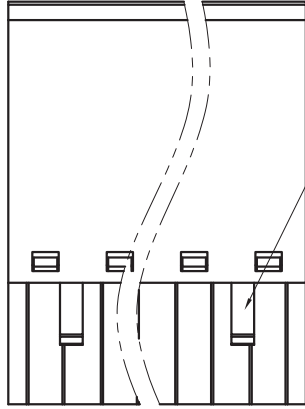
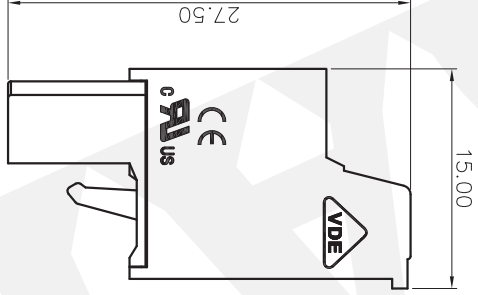
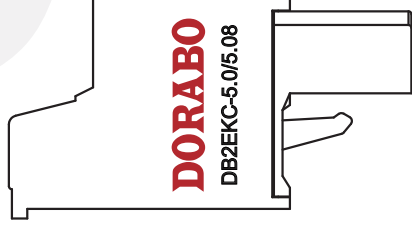
- 2. Torque value : M2.5 , 0.4N.m
- 3. Wire range : 0.2~2.5mm²

1. Dimension shall be interpreted per ASME Y14.5-2009

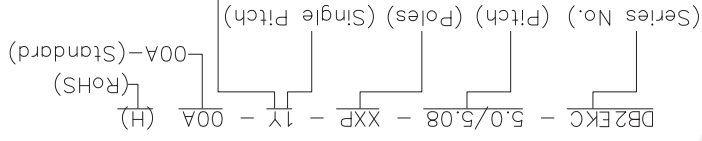
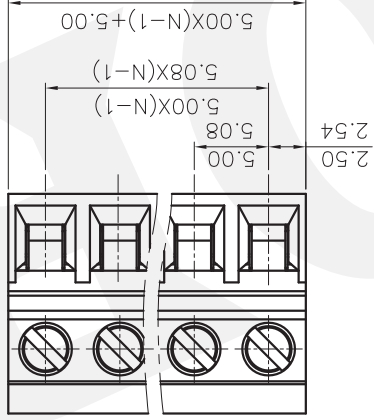
- 2. Pitch : 5.0/5.08mm, Poles : N=02~24P
- 3. Striping length : 9~10mm
- 4. Operating temperature : -40°C~+105°C
- 5. Undimensioned tolerances:

Pitch range in mm	Nominal dimension range in mm	Over	Over	Over	Over	Over	Over	Over	Over
±2.0	±0.15	±0.20	±0.30	±0.50	±0.70	±1.00	±1.30	±1.50	±2.0
6	TO	TO	TO	TO	TO	TO	TO	TO	TO
10	TO	TO	TO	TO	TO	TO	TO	TO	TO
24	TO	TO	TO	TO	TO	TO	TO	TO	TO
30	TO	TO	TO	TO	TO	TO	TO	TO	TO
60	TO	TO	TO	TO	TO	TO	TO	TO	TO
100	TO	TO	TO	TO	TO	TO	TO	TO	TO
150	TO	TO	TO	TO	TO	TO	TO	TO	TO
0.1/10	Over	Over	Over	Over	Over	Over	Over	Over	Over

6.RoHS Compliance



02P:Clasp on the left from this view



PART NO.:	/	
	CIXI DORABO ELECTRONICS CO.,LTD	
NAME:	DB2EKC-5.0/5.08-XXP-1Y-00A(H)	
APPD:	/	
CHKD:	/	
DRFT:	/	
TITLE:	CUSTOMER DRAWING	
REV	DO	
SHEET	1/1	
SCALE	1:1	
DO NOT SCALE DRAWING	1:1	

1 2 3 4 5 6 7 8

A B C D E F G H

X-ON Electronics

Largest Supplier of Electrical and Electronic Components

Click to view similar products for [Pluggable Terminal Blocks](#) category:

Click to view products by [DIBO](#) manufacturer:

Other Similar products are found below :

[57.404.7553](#) [57.504.0053.7](#) [57.510.0053](#) [57.910.6153](#) [01.112.1453](#) [CTB932VE/6](#) [MC 1.5/ 6-ST-3.5 GY AU](#) [ET02015000J0G](#) [734-104](#) [734-302](#) [734-304](#) [8-141-P](#) [FKCT 2.5/ 3-ST KMGY](#) [860505](#) [860508](#) [860516](#) [860810](#) [861908](#) [GBPACX-12](#) [93.731.4953.0](#) [PV05-5,08-K](#) [PVP02-5,00](#) [PVP04-3,50](#) [PVS02-5,00](#) [1-1986160-3](#) [H-10](#) [1546228-5](#) [ELFH09150](#) [ELFH16150](#) [ELFP03110](#) [ELFT06250](#) [ELFT07250](#) [ELVF09400](#) [ELVP03100](#) [ELXH03100](#) [ELXH071G0E](#) [ELXP041G0](#) [ELXT046G0](#) [1700101](#) [1700410](#) [1700425](#) [1703176](#) [1705229](#) [1710175](#) [1714537](#) [1717806](#) [1719600](#) [1729386](#) [1734692](#) [1734795](#)