

REVISION RECORD			
REV	ECN	DESCRIPTION	DATE

REV	ECN	DESCRIPTION	DATE

NOTES1:

- 1. Rated voltage/current : 300V / 10A
- 2. Withstanding voltage : AC1600V/1min.
- 3. Torque value : M2.5 , 3.54lb.in
- 4. Wire range : 28~12AWG

IEC Standard

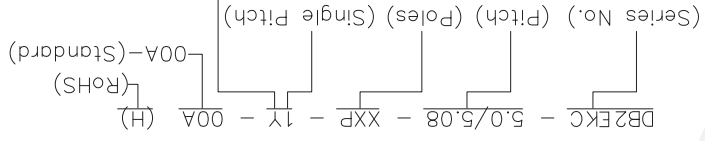
1. Pollution Degree	2
Overvoltage Category	III
Rate Impulse Voltage(kV)	4.0kV
Rate Voltage(V)	320V
Rate Current(A)	20A

NOTES2:

- 1. Dimension shall be interpreted per ASME Y14.5-2009
- 2. Pitch : 5.0/5.08mm, Poles : N=02~24P
- 3. Striping length : 9~10mm
- 4. Operating temperature : -40°C~+105°C
- 5. Undimensioned tolerances:

Pitch range in mm	Nominal dimension range in mm	Over	Over	Over	Over	Over	Over	Over	Over
±0.15	±0.20	±0.30	±0.50	±0.70	±1.00	±1.30	±1.50	±1.50	±2.0
6	10	10	30	60	100	150	150	150	150
To	To	To	To	To	To	To	To	To	To
6	10	24	30	60	100	150	150	150	150
Over	Over	Over	Over	Over	Over	Over	Over	Over	Over
0.1/10	0.1/10	0.1/10	0.1/10	0.1/10	0.1/10	0.1/10	0.1/10	0.1/10	0.1/10
∠	∠	∠	∠	∠	∠	∠	∠	∠	∠

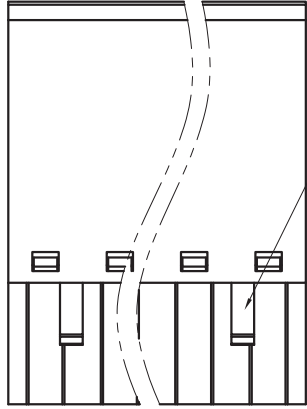
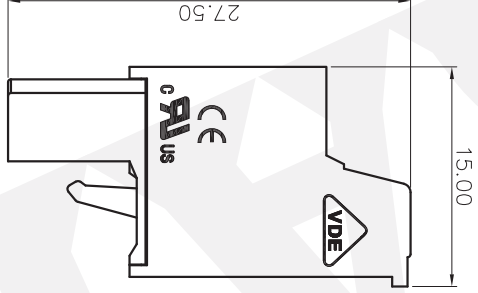
6.RoHS Compliance



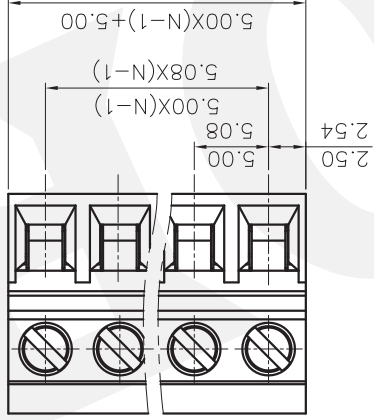
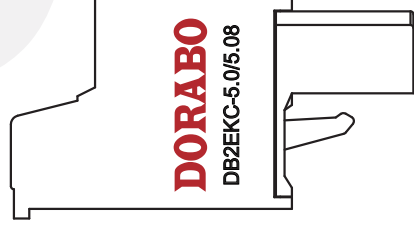
(Color):1.(Grey) 2.(Blue) 3.(Black) 4.(Green) 5.(Orange) 6.(Red) 7.(Transparent) 8.(Yellow) 9.(White)

DETACHED LISTS

PART NO.:	/
APPD.:	/
CHKD.:	/
DRFT.:	/
TITLE:	CUSTOMER DRAWING
NAME:	DB2EKC-5.0/5.08-XXP-1Y-00A(H)
COMP.:	CIXI DORABO ELECTRONICS CO.,LTD
DRAWING NO.:	/
SHEET:	1/1
SCALE:	1:1
DO NOT SCALE DRAWING	DO NOT SCALE DRAWING
THIRD ANGLE PROJECTION	THIRD ANGLE PROJECTION



02P:Clasp on the left from this view



## X-ON Electronics

Largest Supplier of Electrical and Electronic Components

*Click to view similar products for [Pluggable Terminal Blocks](#) category:*

*Click to view products by [DIBO](#) manufacturer:*

Other Similar products are found below :

[57.404.7553](#) [57.504.0053.7](#) [57.510.0053](#) [57.910.6153](#) [01.112.1453](#) [CTB932VE/6](#) [MC 1.5/ 6-ST-3.5 GY AU](#) [ET02015000J0G](#) [734-104](#) [734-302](#) [734-304](#) [8-141-P](#) [FKCT 2.5/ 3-ST KMGY](#) [860505](#) [860508](#) [860516](#) [860810](#) [861908](#) [GBPACX-12](#) [93.731.4953.0](#) [PV05-5,08-K](#) [PVP02-5,00](#) [PVP04-3,50](#) [PVS02-5,00](#) [1-1986160-3](#) [H-10](#) [1546228-5](#) [ELFH09150](#) [ELFH16150](#) [ELFP03110](#) [ELFT06250](#) [ELFT07250](#) [ELVF09400](#) [ELVP03100](#) [ELXH03100](#) [ELXH071G0E](#) [ELXP041G0](#) [ELXT046G0](#) [1700101](#) [1700410](#) [1700425](#) [1703176](#) [1705229](#) [1710175](#) [1714537](#) [1717806](#) [1719600](#) [1729386](#) [1734692](#) [1734795](#)