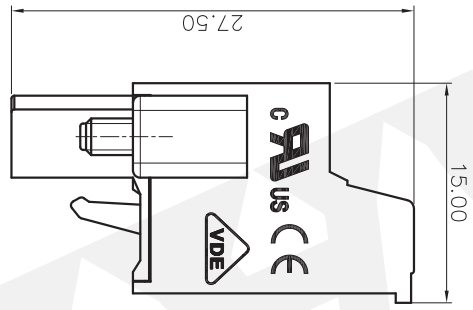
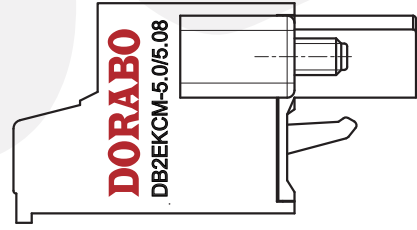
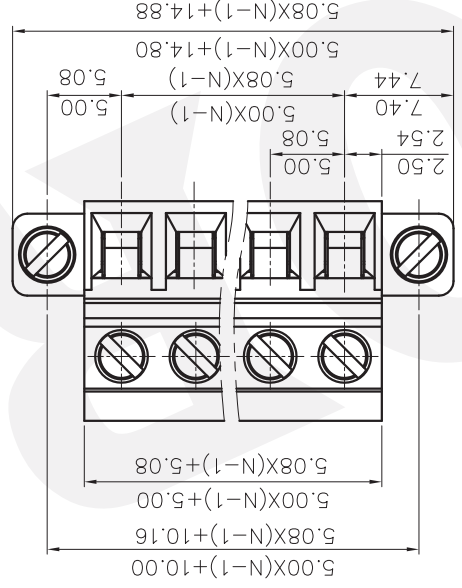
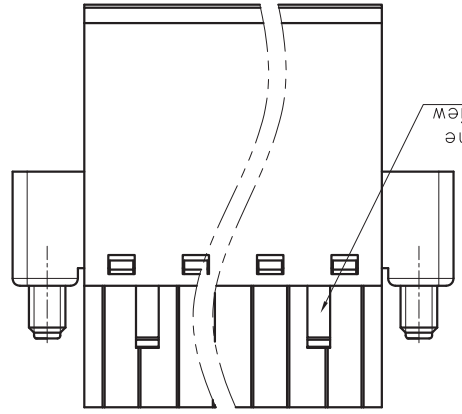


REVISION RECORD			
REV	ECN	DESCRIPTION	DATE

PART NO.:	CIXI DORABO ELECTRONICS CO.,LTD	
	DORABO 慈溪市地博电子有限公司	
NAME:	DB2EKCМ-5.0/5.08-XXP-1Y-00A(H)	
CHKD:	/	/
DRFT:	/	/
TITLE:	CUSTOMER DRAWING	REV
DRAWING NO.:	/	SHEET
DO NOT SCALE DRAWING		SCALE
THIRD ANGLE PROJECTION		1:1
(INCH)		1



DB2EKCМ - 5.0/5.08 - XXP - 1Y - 00A (H)
 (RoHS)
 00A-(Standard)
 (Series No.) (Pitch) (Poles) (Single Pitch)
 (Color): 1.(Grey) 2.(Blue) 3.(Black) 4.(Green) 5.(Orange) 6.(Red) 7.(Transparent) 8.(Yellow) 9.(White)

NOTES1:
 1. Rated voltage/current : 300V / 10A
 2. Withstanding voltage : AC1600V/1Min.
 3. Torque value : M2.5 , 3.54Lb.in
 4. Wire range : 28~12AWG
 IEC Standard
 1. Pollution Degree 2
 Overvoltage Category III
 Rate Impulse Voltage(KV) 4.0KV
 Rate Voltage(V) 320V
 Rate Current(A) 20A

NOTES2:
 1. Dimension shall be interpreted per ASME Y14.5-2009
 2. Pitch : 5.0/5.08mm, Poles : N=02~24P
 3. Stripping length : 9~10mm
 4. Operating temperature: -40°C~+105°C
 5. Undimensioned tolerances:
 Pitch range in mm
 Nominal dimension range

±2	±1.30	±1.00	±0.70	±0.50	±0.30	±0.20	±0.15
6	10	10	10	10	10	10	6
To	To	To	To	To	To	To	To
Over	Over	Over	Over	Over	Over	Over	Over
150	100	60	30	30	30	30	6
0.1/10	150	100	60	30	30	30	0.1/10
∇	-	-	-	-	-	-	∇

6. RoHS Compliance

DETACHED LISTS

A B C D E F G H

1 2 3 4 5 6 7 8

X-ON Electronics

Largest Supplier of Electrical and Electronic Components

Click to view similar products for [Pluggable Terminal Blocks](#) category:

Click to view products by [DIBO](#) manufacturer:

Other Similar products are found below :

[57.404.7553](#) [57.504.0053.7](#) [57.510.0053](#) [57.910.6153](#) [01.112.1453](#) [CTB932VE/6](#) [MC 1.5/ 6-ST-3.5 GY AU](#) [ET02015000J0G](#) [734-104](#) [734-302](#) [734-304](#) [8-141-P](#) [FKCT 2.5/ 3-ST KMGY](#) [860505](#) [860508](#) [860516](#) [860810](#) [861908](#) [GBPACX-12](#) [93.731.4953.0](#) [PV05-5,08-K](#) [PVP02-5,00](#) [PVP04-3,50](#) [PVS02-5,00](#) [1-1986160-3](#) [H-10](#) [1546228-5](#) [ELFH09150](#) [ELFH16150](#) [ELFP03110](#) [ELFT06250](#) [ELFT07250](#) [ELVF09400](#) [ELVP03100](#) [ELXH03100](#) [ELXH071G0E](#) [ELXP041G0](#) [ELXT046G0](#) [1700101](#) [1700410](#) [1700425](#) [1703176](#) [1705229](#) [1710175](#) [1714537](#) [1717806](#) [1719600](#) [1729386](#) [1734692](#) [1734795](#)