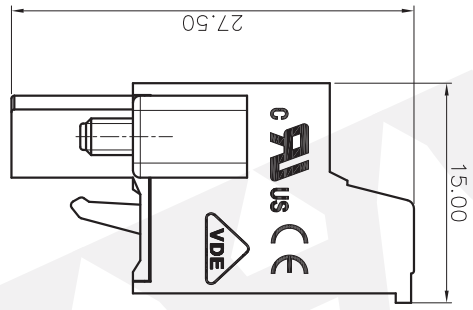
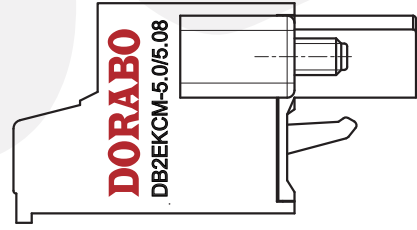
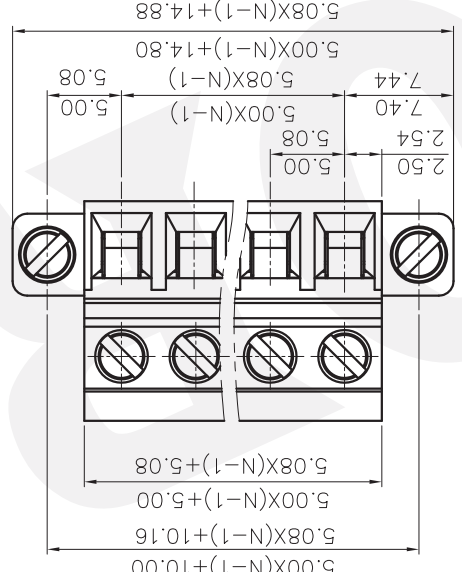
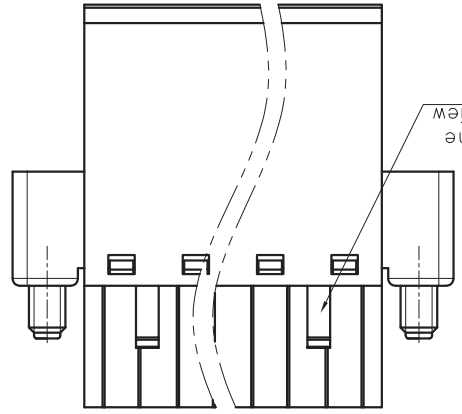


REVISION RECORD			
REV	ECN	DESCRIPTION	DATE

PART NO.:	CIXI DORABO ELECTRONICS CO.,LTD	
	DORABO 慈溪市地博电子有限公司	
NAME:	DB2EKCМ-5.0/5.08-XXP-1Y-00A(H)	
APPD:	/	
CHKD:	/	
DRFT:	/	
TITLE:	CUSTOMER DRAWING	REV
DRAWING NO.:	/	SHEET
DO NOT SCALE DRAWING		SCALE
THIRD ANGLE PROJECTION		1:1
(INCH)		1



DB2EKCМ - 5.0/5.08 - XXP - 1Y - 00A (H)
 (Rohs)
 00A-(Standard)
 (Series No.) (Pitch) (Poles) (Single Pitch)
 (Color): 1.(Grey) 2.(Blue) 3.(Black) 4.(Green) 5.(Orange) 6.(Red) 7.(Transparent) 8.(Yellow) 9.(White)

NOTES1:
 1. Rated voltage/current : 300V / 10A
 2. Withstanding voltage : AC1600V/1Min.
 3. Torque value : M2.5 , 3.54Lb.in
 4. Wire range : 28~12AWG
 IEC Standard
 1. Pollution Degree 2
 2. Overvoltage Category III
 3. Rate Impulse Voltage(KV) 4.0KV
 4. Rate Voltage(V) 320V
 5. Rate Current(A) 20A

NOTES2:
 1. Dimension shall be interpreted per ASME Y14.5-2009
 2. Pitch : 5.0/5.08mm, Poles : N=02~24P
 3. Stripping length : 9~10mm
 4. Operating temperature: -40°C~+105°C
 5. Undimensioned tolerances:

Pitch range in mm	Nominal dimension range in mm	Over	Under
6 TO 10	60 TO 100	0.150	0.1/10
10 TO 24	30 TO 150	0.30	0.150
24 TO 30	30 TO 150	0.30	0.150
30 TO 60	30 TO 150	0.30	0.150
60 TO 100	30 TO 150	0.30	0.150
100 TO 150	30 TO 150	0.30	0.150
150 TO 200	30 TO 150	0.30	0.150
200 TO 250	30 TO 150	0.30	0.150
250 TO 300	30 TO 150	0.30	0.150
300 TO 400	30 TO 150	0.30	0.150
400 TO 500	30 TO 150	0.30	0.150
500 TO 600	30 TO 150	0.30	0.150
600 TO 700	30 TO 150	0.30	0.150
700 TO 800	30 TO 150	0.30	0.150
800 TO 900	30 TO 150	0.30	0.150
900 TO 1000	30 TO 150	0.30	0.150

6. Rohs Compliance

DETACHED LISTS

X-ON Electronics

Largest Supplier of Electrical and Electronic Components

Click to view similar products for [Pluggable Terminal Blocks](#) category:

Click to view products by [DIBO](#) manufacturer:

Other Similar products are found below :

[57.404.7553](#) [57.504.0053.7](#) [57.510.0053](#) [57.910.6153](#) [01.112.1453](#) [CTB932VE/6](#) [MC 1.5/ 6-ST-3.5 GY AU](#) [ET02015000J0G](#) [734-104](#) [734-302](#) [734-304](#) [8-141-P](#) [FKCT 2.5/ 3-ST KMGY](#) [860505](#) [860508](#) [860516](#) [860810](#) [861908](#) [GBPACX-12](#) [93.731.4953.0](#) [PV05-5,08-K](#) [PVP02-5,00](#) [PVP04-3,50](#) [PVS02-5,00](#) [1-1986160-3](#) [H-10](#) [1546228-5](#) [ELFH09150](#) [ELFH16150](#) [ELFP03110](#) [ELFT06250](#) [ELFT07250](#) [ELVF09400](#) [ELVP03100](#) [ELXH03100](#) [ELXH071G0E](#) [ELXP041G0](#) [ELXT046G0](#) [1700101](#) [1700410](#) [1700425](#) [1703176](#) [1705229](#) [1710175](#) [1714537](#) [1717806](#) [1719600](#) [1729386](#) [1734692](#) [1734795](#)