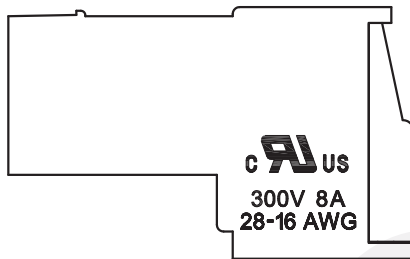
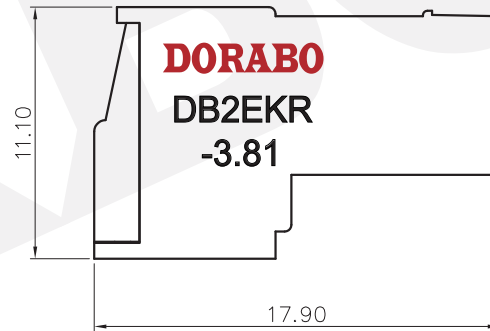
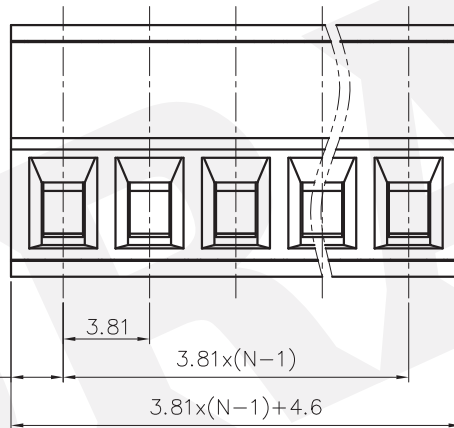
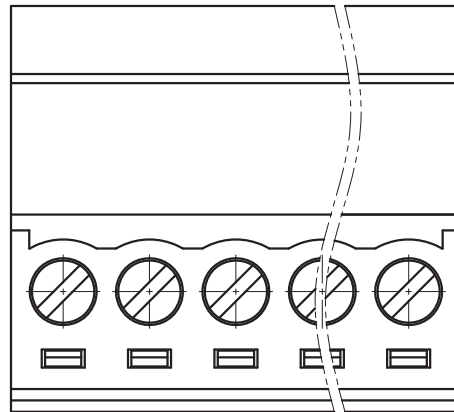


| REVISION RECORD |     |             |      |      |
|-----------------|-----|-------------|------|------|
| REV             | ECN | DESCRIPTION | DRFT | DATE |



DB2EKR - 3.81 - XXP - 1Y - 00A (H)  
 (Series No.) (Pitch) (Poles) (Color) 1.(Grey)2.(Blue)3.(Black)4.(Green)5.(Orange)6.(Red)7.(Transparent)8.(Yellow)9.(White)  
 (Single Pitch) 00A-(Standard) (RoHS)

NOTES1:

UL Standard

- 1.Rated voltage/current : 300V / 8A
- 2.Withstanding voltage : AC1600V/1Min.
- 3.Torque value : M2 , 1.77Lb.in
- 4.Wire range : 28~16AWG

IEC Standard

|                          |       |
|--------------------------|-------|
| 1. Pollution degree      | 2     |
| Overvoltage category     | II    |
| Rate impulse voltage(KV) | 2.5KV |
| Rate voltage(V)          | 250V  |
| Rate current(A)          | 7A    |

- 2.Torque value : M2 , 0.2N·m
- 3.Wire range : 1.5mm<sup>2</sup>

NOTES2:

- 1.Dimension shall be interpreted per ASME Y14.5-2009
- 2.Pitch : 3.81mm, Poles : N=02~16P
- 3.Stripping length : 6~7mm
- 4.Operating temperature: -40°C~+105°C
- 5.Undimensioned tolerances:

| Pitch range in mm |       | Nominal dimension range in mm |       |       |       |       |       |        | □ | ○ | ∇ |
|-------------------|-------|-------------------------------|-------|-------|-------|-------|-------|--------|---|---|---|
| TO                | Over  | Over                          | Over  | Over  | Over  | Over  | Over  | 0.1/10 |   |   |   |
| 6                 | 10    | 10                            | 24    | 30    | 60    | 100   | 150   |        |   |   |   |
| ±0.15             | ±0.20 | ±0.30                         | ±0.30 | ±0.50 | ±0.70 | ±1.00 | ±1.30 | ±2'    |   |   |   |

6.RoHS Compliance

|                            |           |  |  |           |    |
|----------------------------|-----------|--|--|-----------|----|
| DETACHED LISTS             | PART NO.: | <b>DORABO</b> 慈溪市地博电子有限公司<br>CIXI DORABO ELECTRONICS CO.,LTD |  |           |    |
|                            | APPD:     | NAME: DB2EKR-3.81-XXP-1Y-00A(H)                              |  |           |    |
|                            | CHKD:     | TITLE: CUSTOMER DRAWING                                      |  |           |    |
|                            | DRFT:     | DRAWING NO.:   |  | REV       | DO |
| <br>THIRD ANGLE PROJECTION |           | DO NOT SCALE DRAWING<br>SCALE 1:1                            |  | SHEET 1/1 |    |

H  
G  
F  
E  
D  
C  
B  
A

H  
G  
F  
E  
D  
C  
B  
A

## X-ON Electronics

Largest Supplier of Electrical and Electronic Components

*Click to view similar products for [Pluggable Terminal Blocks](#) category:*

*Click to view products by [DIBO](#) manufacturer:*

Other Similar products are found below :

[57.510.0053](#) [MC 1.5/ 6-ST-3.5 GY AU](#) [ET02015000J0G](#) [734-104](#) [734-302](#) [860505](#) [860516](#) [860810](#) [GBPACX-12](#) [93.731.4953.0](#) [PV05-5,08-K](#) [PVP03-3,50](#) [PVP04-3,50](#) [PVS02-5,00](#) [1-1986160-3](#) [1377680000](#) [1531000000](#) [1546228-5](#) [ELFP03110](#) [ELFT07250](#) [ELVD12100](#) [ELVF09400](#) [ELVP03100](#) [ELXH071G0E](#) [1700410](#) [1702246](#) [1705229](#) [1714537](#) [1717806](#) [1719600](#) [1728941](#) [1734692](#) [1734795](#) [1740291](#) [1740628](#) [1746952](#) [1750207](#) [1752865](#) [1754115](#) [1754144](#) [1756913](#) [1760051](#) [1760336](#) [1765111](#) [1776388](#) [1777701](#) [1783410](#) [1800227](#) [1801080](#) [1809474](#)