

电气性能/Electrical
参考标准/Standard: UL IEC

额定电压/Rated voltage: 300V 320V

额定电流/Rated current: 15A 20A

接触电阻/Contact resistance: 20m Ω

耐电压/Withstanding voltage: AC2000V/1Min

绝缘电阻/Insulation resistance: 500M Ω /DC500V

机械性能/Mechanical

温度范围/Temp.Range: -40 $^{\circ}$ C~+105 $^{\circ}$ C

瞬间温度/MAX Soldering: +250 $^{\circ}$ C, for 5 Sec

尺寸/Dimensions

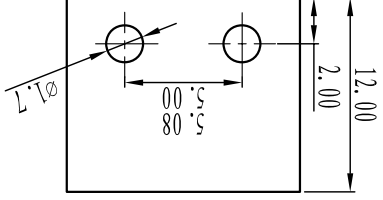
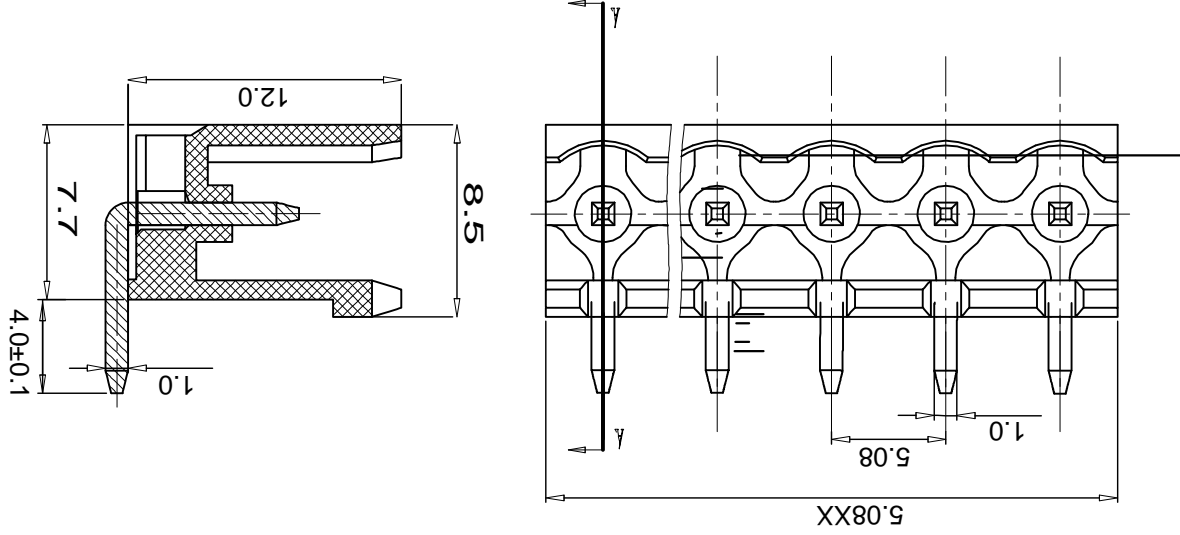
间距/Pitch: 5.00mm, 5.08mm

极数/Poles: 2P-24P

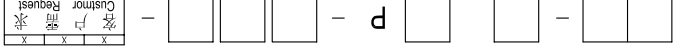
材质及电镀/Material

塑件/Housing: PA66, UL94V-0

焊针/Pin header: Brass, Tin plated



订购方式:
HOW TO ORDER:



型号/Model	极数/POLE	间距/Double pitch	1.单间距/Single pitch	2.双间距/Double pitch
灰色/No definition	0.未定义/No definition	0.未定义/No definition	1.单间距/Single pitch	2.双间距/Double pitch
灰色/Grey 10	灰色/Grey 10	灰色/Grey 10	绿色/Green 40	透明/Transparent 70
蓝色/Blue 20	蓝色/Blue 20	蓝色/Blue 20	绿色/Orange 50	黄色/Yellow 80
黑色/Black 30	黑色/Black 30	黑色/Black 30	红色/Red 60	白色/White 90

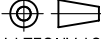
TOOLERANCES EXCEPT AS NOTED

linear dimension	linear dimension	fillet	chamfer	short angle side	≡	—	□	//	⊥
tolerance	±0.1	±0.2	±0.2	±0.5	±1	1 $^{\circ}$	30 $^{\circ}$	20 $^{\circ}$	10 $^{\circ}$
variable range	to 6	to 30	to 120	to 480	to 6	to 10	to 50	to 120	to 120
tolerance	±0.1	±0.2	±0.3	±0.5	±0.9	±0.2	±0.5	±1	1 $^{\circ}$
variable range	to 6	to 30	to 120	to 480	to 480	to all	to 6	to 10	to 120
tolerance	±0.1	±0.2	±0.3	±0.5	±0.9	±0.2	±0.5	±1	1 $^{\circ}$
variable range	to 6	to 30	to 120	to 480	to 480	to all	to 6	to 10	to 120
tolerance	±0.1	±0.2	±0.3	±0.5	±0.9	±0.2	±0.5	±1	1 $^{\circ}$
variable range	to 6	to 30	to 120	to 480	to 480	to all	to 6	to 10	to 120
tolerance	±0.1	±0.2	±0.3	±0.5	±0.9	±0.2	±0.5	±1	1 $^{\circ}$
variable range	to 6	to 30	to 120	to 480	to 480	to all	to 6	to 10	to 120
tolerance	±0.1	±0.2	±0.3	±0.5	±0.9	±0.2	±0.5	±1	1 $^{\circ}$
variable range	to 6	to 30	to 120	to 480	to 480	to all	to 6	to 10	to 120
tolerance	±0.1	±0.2	±0.3	±0.5	±0.9	±0.2	±0.5	±1	1 $^{\circ}$
variable range	to 6	to 30	to 120	to 480	to 480	to all	to 6	to 10	to 120
tolerance	±0.1	±0.2	±0.3	±0.5	±0.9	±0.2	±0.5	±1	1 $^{\circ}$
variable range	to 6	to 30	to 120	to 480	to 480	to all	to 6	to 10	to 120
tolerance	±0.1	±0.2	±0.3	±0.5	±0.9	±0.2	±0.5	±1	1 $^{\circ}$
variable range	to 6	to 30	to 120	to 480	to 480	to all	to 6	to 10	to 120

Cixi Dibo Electronics Co.,LTD

名称/NAME

DB2ER-5.08-XXP-F



第一视角/FIRST ANGLE PROJECTION

单位/UNITS mm

尺寸/SIZE A4

比例/SCALE

X-ON Electronics

Largest Supplier of Electrical and Electronic Components

Click to view similar products for [Pluggable Terminal Blocks](#) category:

Click to view products by [DIBO](#) manufacturer:

Other Similar products are found below :

[57.404.7553](#) [57.504.0053.7](#) [57.510.0053](#) [57.910.6153](#) [01.112.1453](#) [CTB932VE/6](#) [MC 1.5/ 6-ST-3.5 GY AU](#) [ET02015000J0G](#) [734-104](#) [734-302](#) [734-304](#) [8-141-P](#) [FKCT 2.5/ 3-ST KMGY](#) [860505](#) [860508](#) [860516](#) [860810](#) [861908](#) [GBPACX-12](#) [93.731.4953.0](#) [PV05-5,08-K](#) [PVP02-5,00](#) [PVP04-3,50](#) [PVS02-5,00](#) [1-1986160-3](#) [H-10](#) [ELFH09150](#) [ELFH16150](#) [ELFP03110](#) [ELFT06250](#) [ELFT07250](#) [ELVF09400](#) [ELVP03100](#) [ELXH03100](#) [ELXH071G0E](#) [ELXP041G0](#) [ELXT046G0](#) [1700101](#) [1700410](#) [1700425](#) [1703176](#) [1703243](#) [1705229](#) [1710175](#) [1714537](#) [1717806](#) [1719600](#) [1729386](#) [1734692](#) [1734795](#)