

电气性能/Electrical  
参考标准/Standard: UL IEC

额定电压/Rated voltage: 300V 320V

额定电流/Rated current: 15A 20A

接触电阻/Contact resistance: 20mΩ

耐电压/Withstanding voltage: AC2000V/1Min

绝缘电阻/Insulation resistance: 500MΩ/DC500V

机械性能/Mechanical

温度范围/Temp.Range: -40°C~+105°C

瞬间温度/MAX Soldering: +250°C, for 5 Sec

尺寸/Dimensions

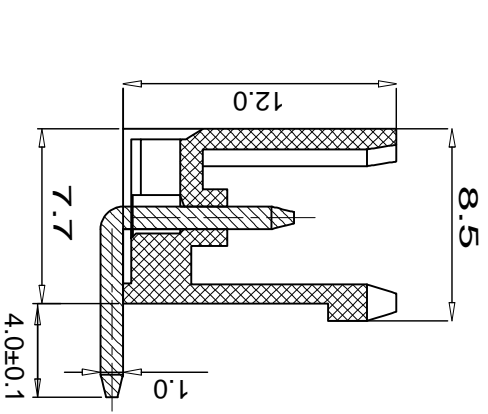
间距/Pitch: 5.00mm, 5.08mm

极数/Poles: 2P-24P

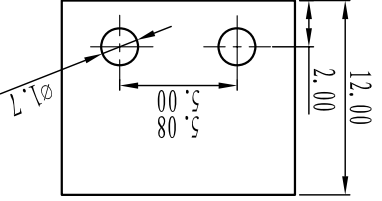
材质及电镀/Material

塑件/Housing: PA66, UL94V-0

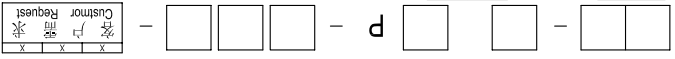
焊针/Pin header: Brass, Tin plated



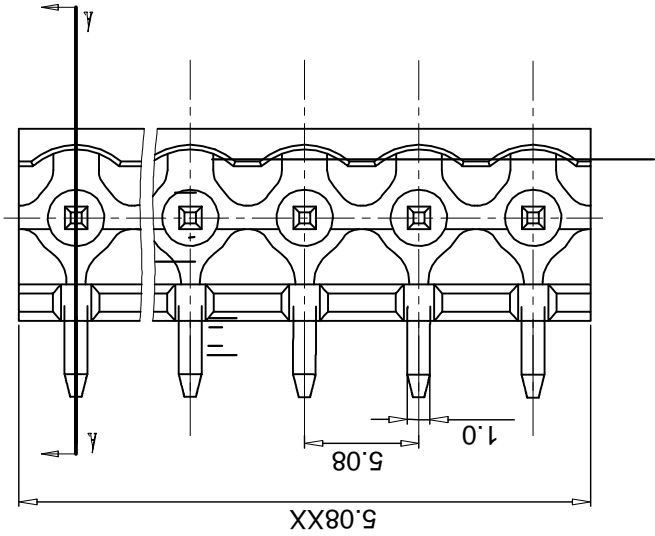
SECTION A-A



订购方式:  
HOW TO ORDER:



型号/Model	极数/POLE	0.未定义/No definition 1.单间距/Single pitch 2.双间距/Double pitch
灰色/Black	20	灰色/Black
蓝色/Blue	30	蓝色/Black
绿色/Orange	40	绿色/Orange
黄色/Red	50	黄色/Red
透明/Transparent	60	透明/Transparent
透明/Transparent	70	透明/Transparent
黄色/Yellow	80	黄色/Yellow
白色/White	90	白色/White



TOLERANCES EXCEPT AS NOTED

linear dimension	linear dimension	fillet	chamfer	short angle side	≡	—	□	//	⊥
tolerance	tolerance	tolerance	tolerance	tolerance	tolerance	tolerance	tolerance	tolerance	tolerance
±0.1	±0.2	±0.2	±0.2	±0.5	±1	1°	30'	20'	10'
to 6	to 30	to 6	to 6	to 6	to 10	to 10	to 50	to 120	to 120
variable	variable	variable	variable	variable	variable	variable	variable	variable	variable
to 6	to 30	to 6	to 6	to 6	to 10	to 10	to 50	to 120	to 120
over 6	over 30	over 6	over 6	over 6	over 10	over 10	over 50	over 120	over 120
over 6	over 30	over 6	over 6	over 6	over 10	over 10	over 50	over 120	over 120
0.12	0.06	0.025	0.5	0.5	0.25	0.12	0.12	0.12	0.4

Cixi Dibo Electronics Co., LTD

名称/NAME

DB2ER-5.08-XXP-F

第一视角/FIRST ANGLE PROJECTION

## X-ON Electronics

Largest Supplier of Electrical and Electronic Components

*Click to view similar products for [Pluggable Terminal Blocks](#) category:*

*Click to view products by [DIBO](#) manufacturer:*

Other Similar products are found below :

[57.404.7553](#) [57.504.0053.7](#) [57.510.0053](#) [57.910.6153](#) [01.112.1453](#) [CTB932VE/6](#) [MC 1.5/ 6-ST-3.5 GY AU](#) [ET02015000J0G](#) [734-104](#) [734-302](#) [734-304](#) [8-141-P](#) [FKCT 2.5/ 3-ST KMGY](#) [860505](#) [860508](#) [860516](#) [860810](#) [861908](#) [GBPACX-12](#) [93.731.4953.0](#) [PV05-5,08-K](#) [PVP02-5,00](#) [PVP04-3,50](#) [PVS02-5,00](#) [1-1986160-3](#) [H-10](#) [1546228-5](#) [ELFH09150](#) [ELFH16150](#) [ELFP03110](#) [ELFT06250](#) [ELFT07250](#) [ELVF09400](#) [ELVP03100](#) [ELXH03100](#) [ELXH071G0E](#) [ELXP041G0](#) [ELXT046G0](#) [1700101](#) [1700410](#) [1700425](#) [1703176](#) [1705229](#) [1710175](#) [1714537](#) [1717806](#) [1719600](#) [1729386](#) [1734692](#) [1734795](#)