

电气性能/Electrical
参考标准/Standard: IEC UL

额定电压/Rated voltage: 300V 320V

额定电流/Rated current: 15A 20A

接触电阻/Contact resistance: 20mΩ

耐电压/Withstanding voltage: AC2000V/1Min

绝缘电阻/Insulation resistance: 500MΩ/DC500V

机械性能/Mechanical

温度范围/Temp.Range: -40°C~+105°C

瞬间温度/MAX Soldering: +250°C, for 5 Sec

尺寸/Dimensions

间距/Pitch: 5.00mm, 5.08mm

极数/Poles: 2P-24P

材质及电镀/Material

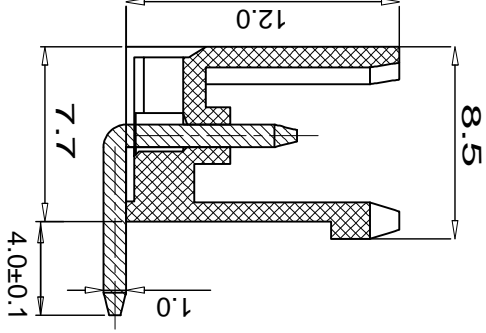
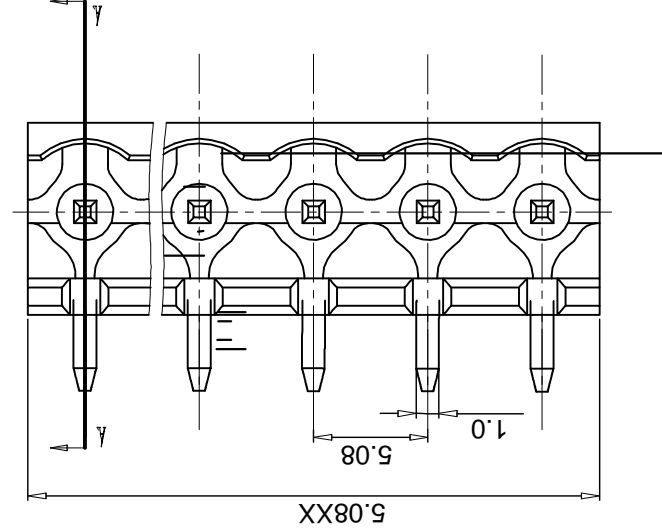
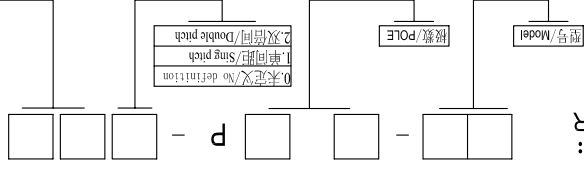
塑件/Housing: PA66, UL94V-0

焊针/Pin header: Brass, Tin plated

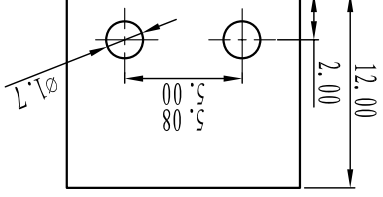
型号/Model	极数/POLE	0.未定义/No definition	1.单间距/Single pitch	2.双间距/Double pitch
透明/Transparent 70	灰色/Grey 10	蓝色/Blue 20	灰色/Black 30	黑色/Black 30
黄色/Yellow 80	绿色/Green 40	绿色/Orange 50	红色/Red 60	红色/Red 60
白色/White 90				

客户
需求
Customer
Request

订购方式:
HOW TO ORDER:



SECTION A-A



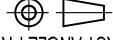
TOLERANCES EXCEPT AS NOTED

linear dimension	linear dimension	fillet	chamfer	short angle sid	≡	—	□	//	L
tolerance	±0.1	±0.2	±0.2	±0.5	±1	1°	30'	20'	10'
variable	to	to	to	to	to	to	to	to	to
range	6	30	6	6	6	10	50	50	120
tolerance	±0.3	±0.5	±0.9	±0.2	±0.5	±1	30'	20'	10'
tolerance	±0.2	±0.3	±0.5	±0.2	±0.5	±1	30'	20'	10'
tolerance	±0.1	±0.2	±0.3	±0.2	±0.5	±1	30'	20'	10'
tolerance	±0.1	±0.2	±0.3	±0.2	±0.5	±1	30'	20'	10'

Cixi Dibo Electronics Co.,LTD

名称/NAME

DB2ER-5.08-XXP-F



第一视角/FIRST ANGLE PROJECTION

单位/UNITS mm
尺寸/SIZE A4
比例/SCALE

X-ON Electronics

Largest Supplier of Electrical and Electronic Components

Click to view similar products for [Pluggable Terminal Blocks](#) category:

Click to view products by [DIBO](#) manufacturer:

Other Similar products are found below :

[57.404.7553](#) [57.504.0053.7](#) [57.510.0053](#) [57.910.6153](#) [01.112.1453](#) [CTB932VE/6](#) [MC 1.5/ 6-ST-3.5 GY AU](#) [ET02015000J0G](#) [734-104](#) [734-302](#) [734-304](#) [8-141-P](#) [FKCT 2.5/ 3-ST KMGY](#) [860505](#) [860508](#) [860516](#) [860810](#) [861908](#) [GBPACX-12](#) [93.731.4953.0](#) [PV05-5,08-K](#) [PVP02-5,00](#) [PVP04-3,50](#) [PVS02-5,00](#) [1-1986160-3](#) [H-10](#) [1546228-5](#) [ELFH09150](#) [ELFH16150](#) [ELFP03110](#) [ELFT06250](#) [ELFT07250](#) [ELVF09400](#) [ELVP03100](#) [ELXH03100](#) [ELXH071G0E](#) [ELXP041G0](#) [ELXT046G0](#) [1700101](#) [1700410](#) [1700425](#) [1703176](#) [1705229](#) [1710175](#) [1714537](#) [1717806](#) [1719600](#) [1729386](#) [1734692](#) [1734795](#)