

电气性能/Electrical  
参考标准/Standard: UL IEC

额定电压/Rated voltage: 300V 320V

额定电流/Rated current: 15A 20A

接触电阻/Contact resistance: 20m $\Omega$

耐电压/Withstanding voltage: AC2000V/1Min

绝缘电阻/Insulation resistance: 500M $\Omega$ /DC500V

机械性能/Mechanical

温度范围/Temp.Range: -40 $^{\circ}$ C~+105 $^{\circ}$ C

瞬间温度/MAX Soldering: +250 $^{\circ}$ C, for 5 Sec

尺寸/Dimensions

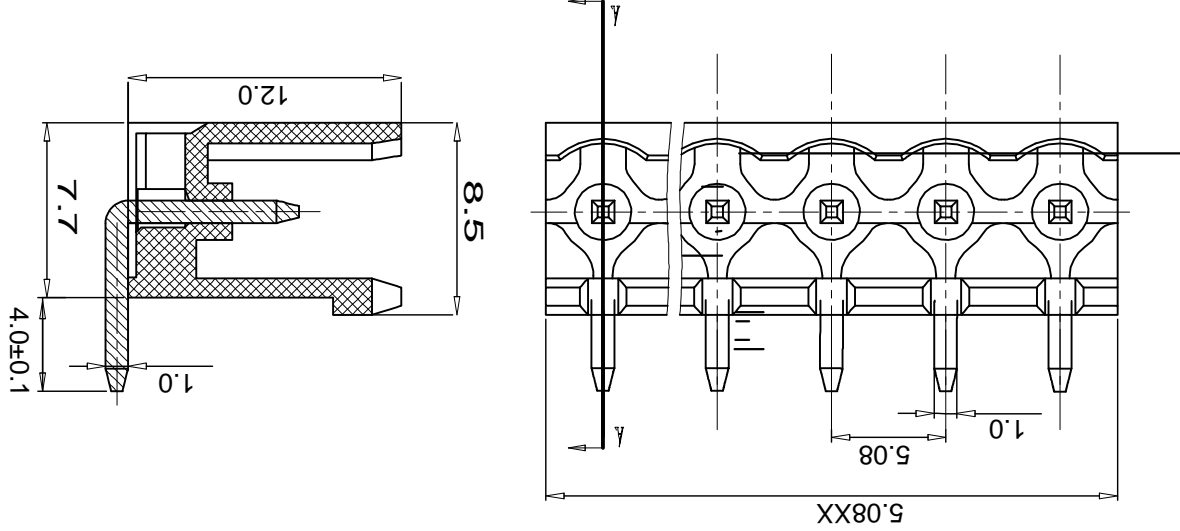
间距/Pitch: 5.00mm, 5.08mm

极数/Poles: 2P-24P

材质及电镀/Material

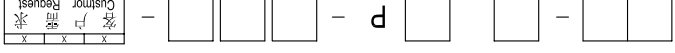
塑件/Housing: PA66, UL94V-0

焊针/Pin header: Brass, Tin plated



SECTION A-A

订购方式:  
HOW TO ORDER:



型号/Model	极数/POLE	0.未定义/No definition 1.单间距/Single pitch 2.双间距/Double pitch
灰色/Black	20	灰色/Grey
蓝色/Blue	30	黑色/Black
绿色/Green	40	绿色/Orange
透明/Transparent	70	黄色/Yellow
	80	白色/White
	90	

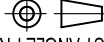
TOLERANCES EXCEPT AS NOTED

linear dimension	linear dimension	fillet	chamfer	short angle side	≡	—	□	//	⊥
tolerance	±0.1	±0.2	±0.3	±0.5	±0.9	±0.2	±0.5	±1	1 $^{\circ}$
variable	to 6	to 6	to 6	to 6	to 6	to 6	to 6	to 6	to 6
range	to 30	to 30	to 120	to 120	to 480	to 480	to 480	to 120	to 120
tolerance	±0.1	±0.2	±0.3	±0.5	±0.9	±0.2	±0.5	±1	1 $^{\circ}$
variable	to 6	to 6	to 30	to 30	to 120	to 480	to 480	to 120	to 120
range	to 30	to 30	to 120	to 120	to 480	to 480	to 480	to 120	to 120
tolerance	±0.1	±0.2	±0.3	±0.5	±0.9	±0.2	±0.5	±1	1 $^{\circ}$
variable	to 6	to 6	to 30	to 30	to 120	to 480	to 480	to 120	to 120
range	to 30	to 30	to 120	to 120	to 480	to 480	to 480	to 120	to 120
tolerance	±0.1	±0.2	±0.3	±0.5	±0.9	±0.2	±0.5	±1	1 $^{\circ}$
variable	to 6	to 6	to 30	to 30	to 120	to 480	to 480	to 120	to 120
range	to 30	to 30	to 120	to 120	to 480	to 480	to 480	to 120	to 120
tolerance	±0.1	±0.2	±0.3	±0.5	±0.9	±0.2	±0.5	±1	1 $^{\circ}$
variable	to 6	to 6	to 30	to 30	to 120	to 480	to 480	to 120	to 120
range	to 30	to 30	to 120	to 120	to 480	to 480	to 480	to 120	to 120

Cixi Dibo Electronics Co., LTD

名称/NAME

DB2ER-5.08-XXP-F



第一视角/FIRST ANGLE PROJECTION

单位/UNITS mm  
尺寸/SIZE A4  
比例/SCALE

## X-ON Electronics

Largest Supplier of Electrical and Electronic Components

*Click to view similar products for [Pluggable Terminal Blocks](#) category:*

*Click to view products by [DIBO](#) manufacturer:*

Other Similar products are found below :

[57.404.7553](#) [57.504.0053.7](#) [57.510.0053](#) [57.910.6153](#) [01.112.1453](#) [CTB932VE/6](#) [MC 1.5/ 6-ST-3.5 GY AU](#) [ET02015000J0G](#) [734-104](#) [734-302](#) [734-304](#) [8-141-P](#) [FKCT 2.5/ 3-ST KMGY](#) [860505](#) [860508](#) [860516](#) [860810](#) [861908](#) [GBPACX-12](#) [93.731.4953.0](#) [PV05-5,08-K](#) [PVP02-5,00](#) [PVP04-3,50](#) [PVS02-5,00](#) [1-1986160-3](#) [H-10](#) [ELFH09150](#) [ELFH16150](#) [ELFP03110](#) [ELFT06250](#) [ELFT07250](#) [ELVF09400](#) [ELVP03100](#) [ELXH03100](#) [ELXH071G0E](#) [ELXP041G0](#) [ELXT046G0](#) [1700101](#) [1700410](#) [1700425](#) [1703176](#) [1703243](#) [1705229](#) [1710175](#) [1714537](#) [1717806](#) [1719600](#) [1729386](#) [1734692](#) [1734795](#)