

电气性能/Electrical
参考标准/Standard: UL IEC

额定电压/Rated voltage: 300V 320V

额定电流/Rated current: 15A 20A

接触电阻/Contact resistance: 20m Ω

耐电压/Withstanding voltage: AC2000V/1Min

绝缘电阻/Insulation resistance: 500M Ω /DC500V

机械性能/Mechanical

温度范围/Temp.Range: -40~+105°C

瞬间温度/MAX Soldering: +250°C, for 5 Sec

尺寸/Dimensions

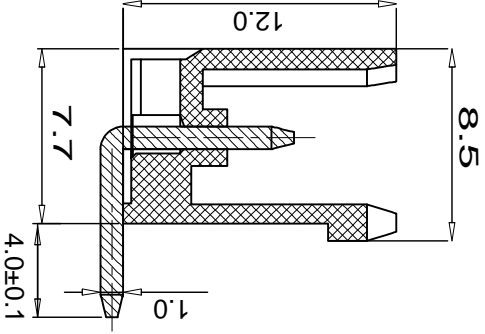
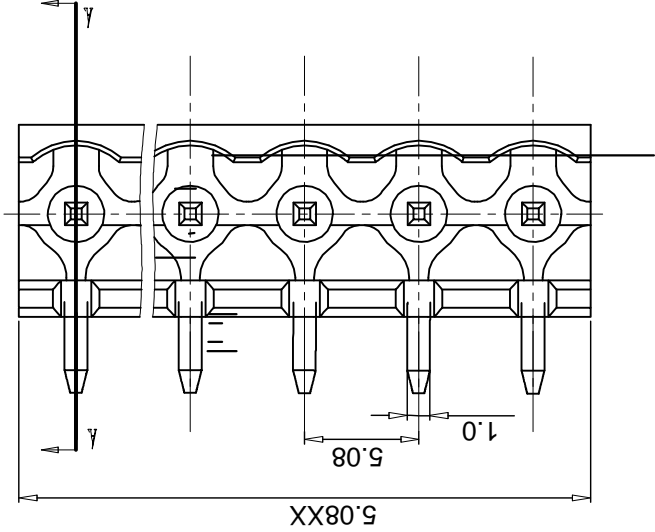
间距/Pitch: 5.00mm, 5.08mm

极数/Poles: 2P-24P

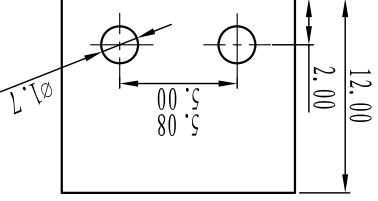
材质及电镀/Material

塑件/Housing: PA66, UL94V-0

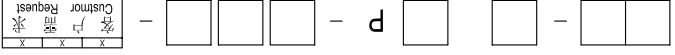
焊针/Pin header: Brass, Tin plated



SECTION A-A



订购方式:
HOW TO ORDER:



0.未定义/No definition	1.单间距/Single pitch	2.双间距/Double pitch
灰色/Gray 10	蓝色/Blue 20	黑色/Black 30
绿色/Green 40	棕色/Orange 50	红色/Red 60
透明/Transparent 70	黄色/Yellow 80	白色/White 90

TOLERANCES EXCEPT AS NOTED

Linear dimension	linear dimension	fillet	chamfer	short angle side	≡	—	□	//	⊥						
tolerance	variable	range	tolerance	tolerance	tolerance	tolerance	tolerance	tolerance	tolerance						
±0.1	±0.1	±0.2	±0.2	±0.2	±0.5	±1	1°	30'	20'	10'	0.5	0.025	0.06	0.12	0.4
to	to	to	to	to	to	to	to	to	to	to	to	to	to	to	to
6	6	6	6	6	6	6	6	10	10	10	5	5	5	5	5
over	over	over	over	over	over	over	over	over	over	over	over	over	over	over	over
30	30	30	30	30	30	30	30	120	120	120	120	120	120	120	120

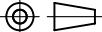
Cixi Dibo Electronics Co., LTD

名称/NAME

DB2ER-5.08-XXP-F

单位/UNITS mm 尺寸/SIZE A4 比例/SCALE

第一视角/FIRST ANGLE PROJECTION



X-ON Electronics

Largest Supplier of Electrical and Electronic Components

Click to view similar products for [Pluggable Terminal Blocks](#) category:

Click to view products by [DIBO](#) manufacturer:

Other Similar products are found below :

[57.404.7553](#) [57.504.0053.7](#) [57.510.0053](#) [57.910.6153](#) [01.112.1453](#) [CTB932VE/6](#) [MC 1.5/ 6-ST-3.5 GY AU](#) [ET02015000J0G](#) [734-104](#) [734-302](#) [734-304](#) [8-141-P](#) [FKCT 2.5/ 3-ST KMGY](#) [860505](#) [860508](#) [860516](#) [860810](#) [861908](#) [GBPACX-12](#) [93.731.4953.0](#) [PV05-5,08-K](#) [PVP02-5,00](#) [PVP04-3,50](#) [PVS02-5,00](#) [1-1986160-3](#) [H-10](#) [ELFH09150](#) [ELFH16150](#) [ELFP03110](#) [ELFT06250](#) [ELFT07250](#) [ELVF09400](#) [ELVP03100](#) [ELXH03100](#) [ELXH071G0E](#) [ELXP041G0](#) [ELXT046G0](#) [1700101](#) [1700410](#) [1700425](#) [1703176](#) [1703243](#) [1705229](#) [1710175](#) [1714537](#) [1717806](#) [1719600](#) [1729386](#) [1734692](#) [1734795](#)