



# Cixi Dibo Electronics Co.,LTD

产品规格书  
product specification

## 电气性能/Electrical

参考标准/Standard: UL IEC  
 额定电压/Rated voltage: 300V 250V  
 额定电流/Rated current: 8A 10A  
 接触电阻/Contact resistance: 20m $\Omega$

耐电压/Withstanding voltage: AC2000V/1Min

绝缘电阻/Insulation resistance: 500M $\Omega$ /DC500V

## 机械性能/Mechanical

温度范围/Temp.Range: -40 $^{\circ}$ C $^{+}$ 105 $^{\circ}$ C

瞬间温度/MAX Soldering: +250 $^{\circ}$ C, for 5 Sec

## 尺寸/Dimensions

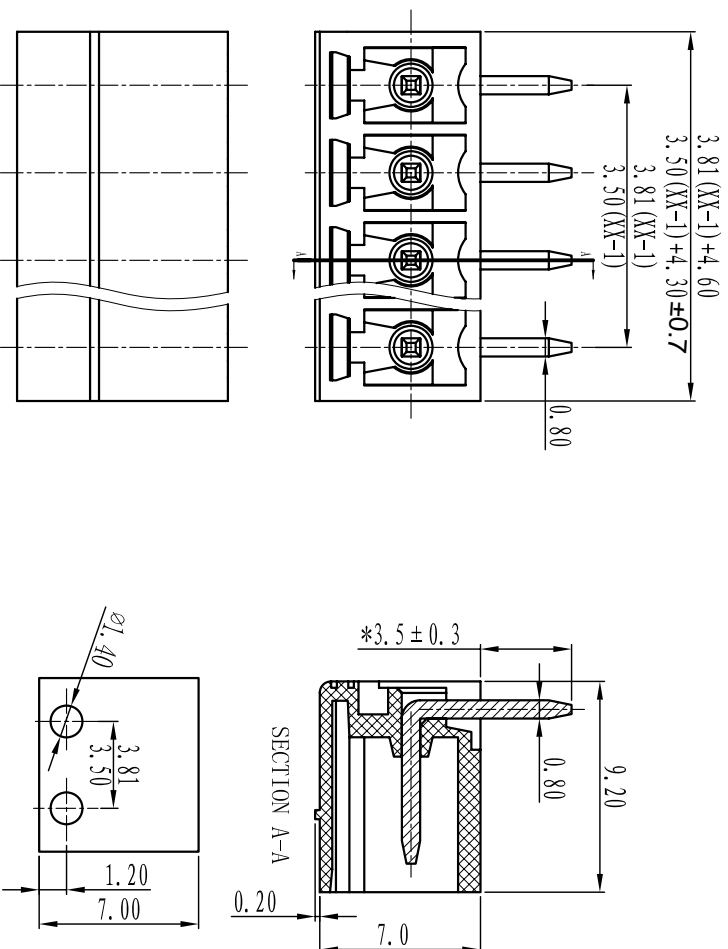
间距/Pitch: 3.81mm/3.50mm

极数/Poles: 2P-24P

## 材质及电镀/Material

塑件/Housing: PA66, UL94V-0

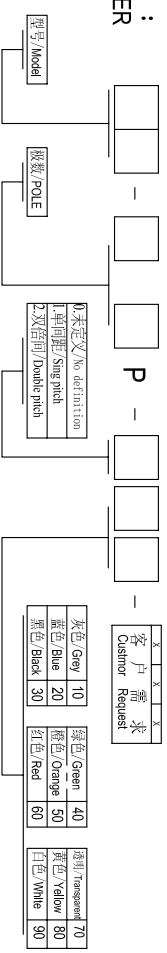
焊针/Pin header: Brass, Tin plated



## TOLERANCES EXCEPT AS NOTED

|                | linear dimension                                             | fillet       | chamfer            | short angle sid                                                  | ≡            | □                              | //              | ⊥                |
|----------------|--------------------------------------------------------------|--------------|--------------------|------------------------------------------------------------------|--------------|--------------------------------|-----------------|------------------|
| variable range | over 6 to 30<br>over 30 to 120<br>over 120 to 480            | all to 6     | over 6 to 10       | over 10 to 50<br>over 50 to 120                                  | all to 5     | over 5 to 30<br>over 30 to 120 | over 120 to 480 | over 480 to 1200 |
| tolerance      | ±0.1 to ±0.2<br>±0.2 to ±0.3<br>±0.3 to ±0.5<br>±0.5 to ±0.9 | ±0.2 to ±0.5 | ±1 to 1 $^{\circ}$ | 10 $^{\circ}$ to 20 $^{\circ}$<br>20 $^{\circ}$ to 10 $^{\circ}$ | 0.5 to 0.025 | 0.06 to 0.12                   | 0.12 to 0.4     | 0.4              |

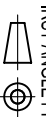
## 订购方式: HOW TO ORDER



Cixi Dibo Electronics Co.,LTD

名称/NAME DB2ERC-3.81/3.5

第一视角/FIRST ANGLE PROJECTION



## X-ON Electronics

Largest Supplier of Electrical and Electronic Components

*Click to view similar products for [Pluggable Terminal Blocks](#) category:*

*Click to view products by [DIBO](#) manufacturer:*

Other Similar products are found below :

[57.510.0053](#) [MC 1.5/ 6-ST-3.5 GY AU](#) [ET02015000J0G](#) [734-104](#) [734-302](#) [860505](#) [860516](#) [860810](#) [GBPACX-12](#) [93.731.4953.0](#) [PV05-5,08-K](#) [PVP03-3,50](#) [PVP04-3,50](#) [PVS02-5,00](#) [1-1986160-3](#) [1377680000](#) [1531000000](#) [1546228-5](#) [ELFP03110](#) [ELFT07250](#) [ELVD12100](#) [ELVF09400](#) [ELVP03100](#) [ELXH071G0E](#) [1700410](#) [1702246](#) [1705229](#) [1714537](#) [1717806](#) [1719600](#) [1728941](#) [1734692](#) [1734795](#) [1740291](#) [1740628](#) [1746952](#) [1750207](#) [1752865](#) [1754115](#) [1754144](#) [1756913](#) [1760051](#) [1760336](#) [1765111](#) [1776388](#) [1777701](#) [1783410](#) [1800227](#) [1801080](#) [1809474](#)