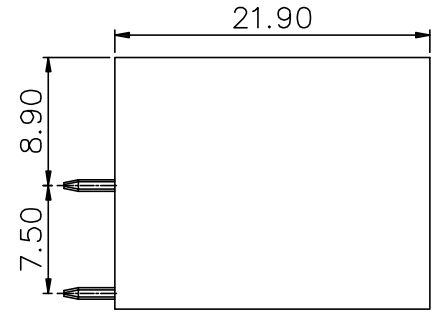
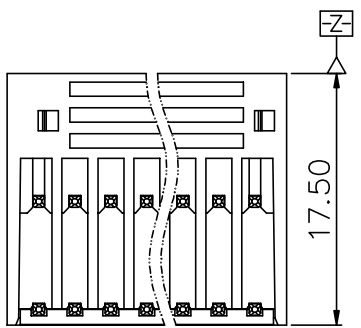
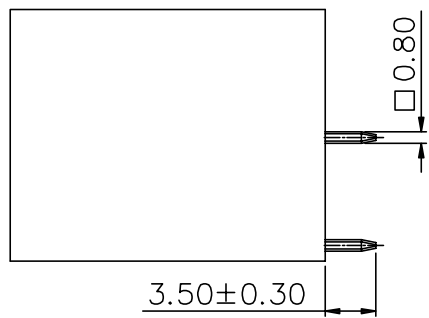
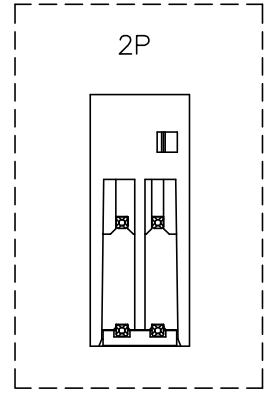
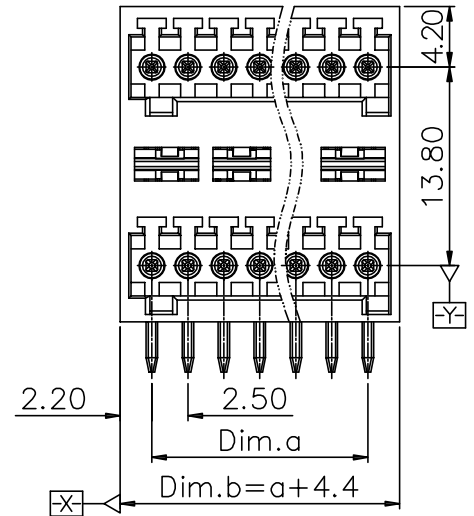
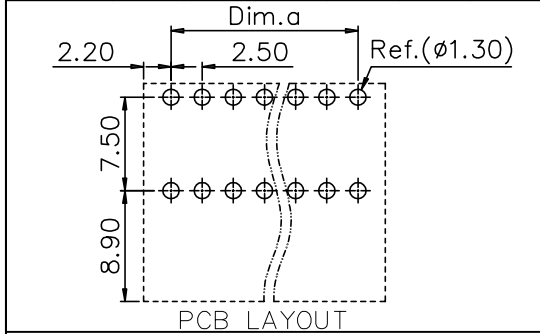


linear dimension(Tolerances Standard GB/T 14486-2008)								—	∇	\perp
variable range	to 6	over 6 to 10	over 10 to 30	over 30 to 60	over 60 to 100	over 100 to 160	over 160 to	to 10	over 10 to 100	over 100 to
tolerance	±0.20	±0.30	±0.50	±0.70	±1.00	±1.30	±1.60	0.10	0.30	0.60



UL/CUL 技术参数	UL/CUL Technical Data			cRUus		
等级 Use Group	B	C	D			
额定电压 Rated Voltage [V]	125	-	-			
额定电流 Rated Current [A]	4	-	-			
接线范围 Wire Range						
单/多芯线 Solid/Stranded [AWG]						
耐电压 Withstanding Voltage	1300V/1Min					
IEC 技术参数	IEC Technical Data					
过电压类别 Overvoltage Category	III	III	II			
污染等级 Contamination Class	3	2	2			
额定电压 Rated Voltage [V]	-	160	320			
额定电流 Rated Current [A]	-	2.5	2.5			
额定冲击电压 Impulse withstand voltagea [KV]	4	4	4			
导线截面积 Conductor cross section						
硬质/柔性导线 Solid/ flexible [mm ²]						
材料 Material						
绝缘材料 Insulation Material	PA66					
阻燃等级 Inflammability	UL94V-0					
导体材料 Contactor Material	铜合金 Copper alloy					
导体表面镀层 Contactive Coating	镀锡 Sn Plated					
一般参数 Other Data						
间距 Pitch [mm]	2.5					
极数 Poles [P]	02-24					
剥线长度 Stripping Length [mm]	-					
螺丝 Screw/扭矩 Torque(Max) [N.m]	-					
工作温度 Operating temperatur [°C]	-40~+105					
引针尺寸 Pin Dimensions [mm]	-					
PCB板孔径 PCB Hole Diameter [mm]	1.30					

DB2ERH — 2.5 — XXP — C

(Series No.) (Pitch) (Poles)

(Color) : GN:(Green), BK:(Black), BU:(Blue), RD:(Red), GY:(Gray)
OG:(Orange), WT:(White), YL:(Yellow), CR:(Clear)

APPD: JTING Chen 2022.4.6
CHKD: Duck Mao 2022.4.6
DRFT: Steven Lu 2022.4.6

DORABO 宁波地博电气有限公司
Ningbo Dorabo Electric CO., Ltd

NAME: DB2ERH-2.5-XXP-C

TYPE: CUSTOMER_DRAWING

SIZE: A4

SCALE: 1:1

REV: T0-1

SHEET: 1/1

X-ON Electronics

Largest Supplier of Electrical and Electronic Components

Click to view similar products for [Pluggable Terminal Blocks](#) category:

Click to view products by [DIBO](#) manufacturer:

Other Similar products are found below :

[57.510.0053](#) [MC 1.5/ 6-ST-3.5 GY AU](#) [ET02015000J0G](#) [734-104](#) [734-302](#) [860505](#) [860516](#) [860810](#) [GBPACX-12](#) [93.731.4953.0](#) [PV05-5,08-K](#) [PVP03-3,50](#) [PVP04-3,50](#) [PVS02-5,00](#) [1-1986160-3](#) [1377680000](#) [1531000000](#) [1546228-5](#) [ELFP03110](#) [ELFT07250](#) [ELVD12100](#) [ELVF09400](#) [ELVP03100](#) [ELXH071G0E](#) [1700410](#) [1702246](#) [1705229](#) [1714537](#) [1717806](#) [1719600](#) [1728941](#) [1734692](#) [1734795](#) [1740291](#) [1740628](#) [1746952](#) [1750207](#) [1752865](#) [1754115](#) [1754144](#) [1756913](#) [1760051](#) [1760336](#) [1765111](#) [1776388](#) [1777701](#) [1783410](#) [1800227](#) [1801080](#) [1809474](#)