



# Cixi Dibo Electronics Co., LTD

产品规格书  
product specification

## 电气性能/Electrical

参考标准/Standard: UL IEC  
额定电压/Rated voltage: 300V 250V  
额定电流/Rated current: 8A 10A  
接触电阻/Contact resistance: 20m $\Omega$

耐电压/Withstanding voltage: AC2000V/1Min

绝缘电阻/Insulation resistance: 500M $\Omega$ /DC500V

## 机械性能/Mechanical

温度范围/Temp.Range: -40 $^{\circ}$ C~+105 $^{\circ}$ C

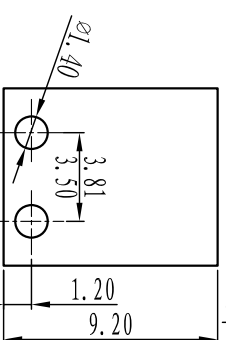
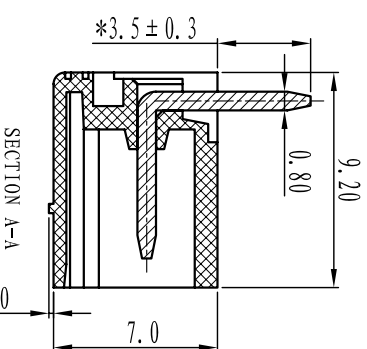
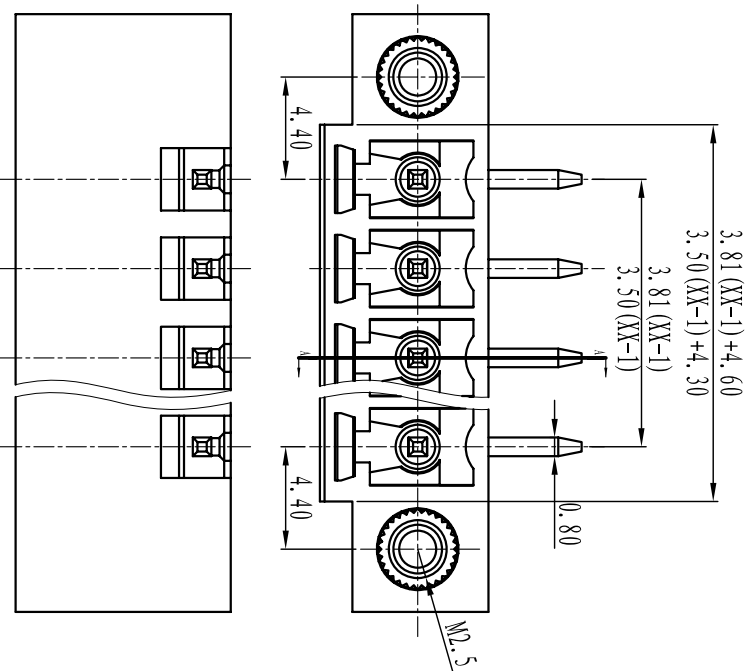
瞬间温度/MAX Soldering: +250 $^{\circ}$ C, for 5 Sec

## 尺寸/Dimensions

间距/Pitch: 3.81mm/3.50mm  
极数/Poles: 2P-24P

## 材质及电镀/Material

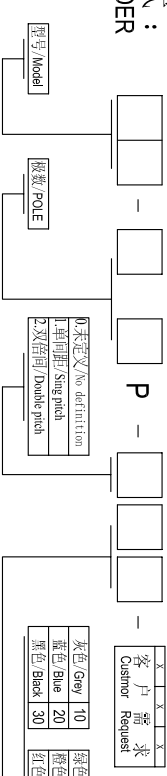
螺母/Nut: M2.5 Brass  
焊针/Pin header: Brass, Tin plated  
塑件/Housing: PA66, UL94V-0



## TOLERANCES EXCEPT AS NOTED

linear dimension	fillet	chamber	short angle sid	—	□	∥	⊥
variable range	to 6	over 6	over 30	over 120	over 480	all	to 6
tolerance	$\pm 0.1$	$\pm 0.2$	$\pm 0.3$	$\pm 0.5$	$\pm 0.9$	$\pm 0.2$	$\pm 0.5$
	to 6	to 30	to 120	to 480	to 6	to 10	to 10
	to 6	to 30	to 120	to 480	to 6	to 10	to 10
	$\pm 0.1$	$\pm 0.2$	$\pm 0.3$	$\pm 0.5$	$\pm 0.9$	$\pm 0.2$	$\pm 0.5$
	to 6	to 30	to 120	to 480	to 6	to 10	to 10
	$\pm 0.1$	$\pm 0.2$	$\pm 0.3$	$\pm 0.5$	$\pm 0.9$	$\pm 0.2$	$\pm 0.5$
	to 6	to 30	to 120	to 480	to 6	to 10	to 10
	$\pm 0.1$	$\pm 0.2$	$\pm 0.3$	$\pm 0.5$	$\pm 0.9$	$\pm 0.2$	$\pm 0.5$
	to 6	to 30	to 120	to 480	to 6	to 10	to 10
	$\pm 0.1$	$\pm 0.2$	$\pm 0.3$	$\pm 0.5$	$\pm 0.9$	$\pm 0.2$	$\pm 0.5$
	to 6	to 30	to 120	to 480	to 6	to 10	to 10
	$\pm 0.1$	$\pm 0.2$	$\pm 0.3$	$\pm 0.5$	$\pm 0.9$	$\pm 0.2$	$\pm 0.5$
	to 6	to 30	to 120	to 480	to 6	to 10	to 10
	$\pm 0.1$	$\pm 0.2$	$\pm 0.3$	$\pm 0.5$	$\pm 0.9$	$\pm 0.2$	$\pm 0.5$
	to 6	to 30	to 120	to 480	to 6	to 10	to 10
	$\pm 0.1$	$\pm 0.2$	$\pm 0.3$	$\pm 0.5$	$\pm 0.9$	$\pm 0.2$	$\pm 0.5$
	to 6	to 30	to 120	to 480	to 6	to 10	to 10
	$\pm 0.1$	$\pm 0.2$	$\pm 0.3$	$\pm 0.5$	$\pm 0.9$	$\pm 0.2$	$\pm 0.5$
	to 6	to 30	to 120	to 480	to 6	to 10	to 10
	$\pm 0.1$	$\pm 0.2$	$\pm 0.3$	$\pm 0.5$	$\pm 0.9$	$\pm 0.2$	$\pm 0.5$
	to 6	to 30	to 120	to 480	to 6	to 10	to 10
	$\pm 0.1$	$\pm 0.2$	$\pm 0.3$	$\pm 0.5$	$\pm 0.9$	$\pm 0.2$	$\pm 0.5$
	to 6	to 30	to 120	to 480	to 6	to 10	to 10

订购方式：  
HOW TO ORDER



- |          |    |           |    |                |    |
|----------|----|-----------|----|----------------|----|
| 灰色/Grey  | 10 | 绿色/Green  | 40 | 透明/Transparent | 70 |
| 蓝色/Blue  | 20 | 橙色/Orange | 50 | 黄色/Yellow      | 80 |
| 黑色/Black | 30 | 红色/Red    | 60 | 白色/White       | 90 |

单位/UNITS	mm	尺寸/SIZE	A4	比例/SCALE
<b>Cixi Dibo Electronics Co., LTD</b>				
名称/NAME	DB2ERM-3.81			第一视角/FIRST ANGLE PROJECTION

## X-ON Electronics

Largest Supplier of Electrical and Electronic Components

*Click to view similar products for [Pluggable Terminal Blocks](#) category:*

*Click to view products by [DIBO](#) manufacturer:*

Other Similar products are found below :

[57.404.7553](#) [57.504.0053.7](#) [57.510.0053](#) [57.910.6153](#) [01.112.1453](#) [CTB932VE/6](#) [MC 1.5/ 6-ST-3.5 GY AU](#) [ET02015000J0G](#) [734-104](#) [734-302](#) [734-304](#) [8-141-P](#) [FKCT 2.5/ 3-ST KMGY](#) [860505](#) [860508](#) [860516](#) [860810](#) [861908](#) [GBPACX-12](#) [93.731.4953.0](#) [PV05-5,08-K](#) [PVP02-5,00](#) [PVP04-3,50](#) [PVS02-5,00](#) [1-1986160-3](#) [H-10](#) [ELFH09150](#) [ELFH16150](#) [ELFP03110](#) [ELFT06250](#) [ELFT07250](#) [ELVF09400](#) [ELVP03100](#) [ELXH03100](#) [ELXH071G0E](#) [ELXP041G0](#) [ELXT046G0](#) [1700101](#) [1700410](#) [1700425](#) [1703176](#) [1703243](#) [1705229](#) [1710175](#) [1714537](#) [1717806](#) [1719600](#) [1729386](#) [1734692](#) [1734795](#)