

电气性能/Electrical
参考标准/Standard: UL IEC

额定电压/Rated voltage: 300V 320V

额定电流/Rated current: 15A 20A

接触电阻/Contact resistance: 20mΩ

耐电压/Withstanding voltage: AC2000V/1Min

绝缘电阻/Insulation resistance: 500MΩ/DC500V

机械性能/Mechanical

温度范围/Temp.Range: -40°C~+105°C

瞬间温度/MAX Soldering: +250°C, for 5 Sec

尺寸/Dimensions

间距/Pitch: 5.00mm, 5.08mm

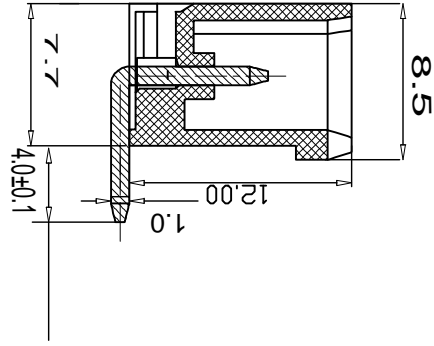
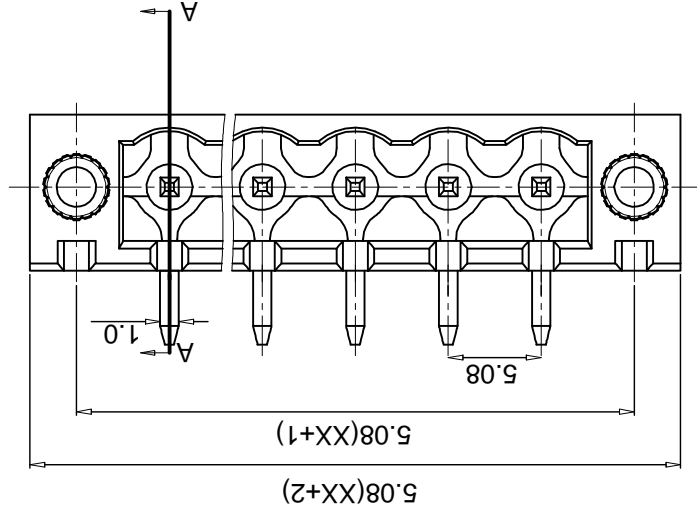
极数/Poles: 2P-24P

材质及电镀/Material

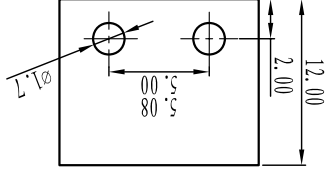
塑件/Housing: PA66, UL94V-0

焊针/Pin header: Brass, Tin plated

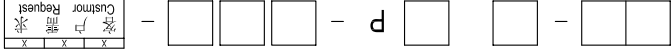
螺母/Nut: M2.5 Brass



Section: A-A



订购方式:
HOW TO ORDER:



客户需求
Customer Request

未定义/No definition	0
1.单间距/Sing pitch	1
2.双间距/Double pitch	2
灰色/Grey	10
蓝色/Blue	20
棕色/Orange	30
黑色/Black	30
红色/Red	60
透明/Transparent	70
黄色/Yellow	80
白色/White	90

TOOLERANCES EXCEPT AS NOTED

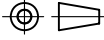
linear dimension	fillet	chamfer	short angle sid	≡	—	□	//	⊥
over 480	over 480	over 6	over 10	over 5	over 5	over 5	over 120	over 120
to 120	to 120	to 6	to 10	to 5	to 5	to 5	to 120	to 120
±0.5	±0.5	±1	1°	30'	20'	10'	0.5	0.025
±0.9	±0.2	±0.5	±1	30'	20'	10'	0.5	0.06
±0.3	±0.3	±0.5	±1	50	50	10	0.5	0.12
±0.2	±0.2	±0.5	±1	10	10	10	0.5	0.4
tolerance	variable	range	tolerance	range	tolerance	range	tolerance	range

Cixi Dibo Electronics Co., LTD

名称/NAME

DB2ERM-5.08-XXP-F

第一视角/FIRST ANGLE PROJECTION



单位/UNITS mm 尺寸/SIZE A4 比例/SCALE

X-ON Electronics

Largest Supplier of Electrical and Electronic Components

Click to view similar products for [Pluggable Terminal Blocks](#) category:

Click to view products by [DIBO](#) manufacturer:

Other Similar products are found below :

[57.404.7553](#) [57.504.0053.7](#) [57.510.0053](#) [57.910.6153](#) [01.112.1453](#) [CTB932VE/6](#) [MC 1.5/ 6-ST-3.5 GY AU](#) [ET02015000J0G](#) [734-104](#) [734-302](#) [734-304](#) [8-141-P](#) [FKCT 2.5/ 3-ST KMGY](#) [860505](#) [860508](#) [860516](#) [860810](#) [861908](#) [GBPACX-12](#) [93.731.4953.0](#) [PV05-5,08-K](#) [PVP02-5,00](#) [PVP04-3,50](#) [PVS02-5,00](#) [1-1986160-3](#) [H-10](#) [ELFH09150](#) [ELFH16150](#) [ELFP03110](#) [ELFT06250](#) [ELFT07250](#) [ELVF09400](#) [ELVP03100](#) [ELXH03100](#) [ELXH071G0E](#) [ELXP041G0](#) [ELXT046G0](#) [1700101](#) [1700410](#) [1700425](#) [1703176](#) [1703243](#) [1705229](#) [1710175](#) [1714537](#) [1717806](#) [1719600](#) [1729386](#) [1734692](#) [1734795](#)