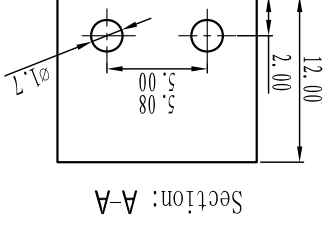
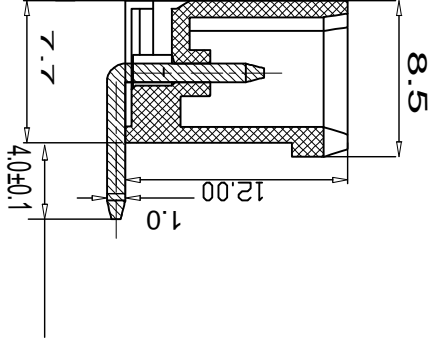
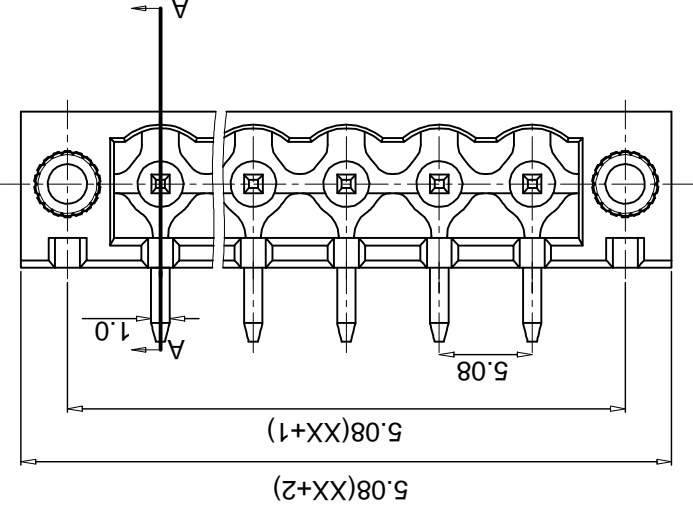


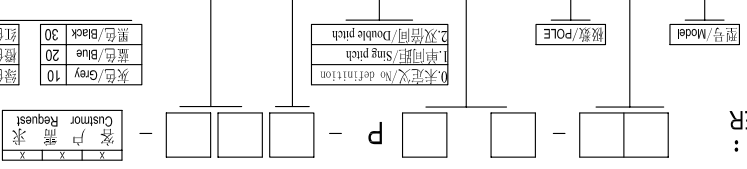
电气性能/Electrical  
 参考标准/Standard: UL IEC  
 额定电压/Rated voltage: 300V 320V  
 额定电流/Rated current: 15A 20A  
 接触电阻/Contact resistance: 20mΩ  
 耐电压/Withstanding voltage: AC2000V/1Min  
 绝缘电阻/Insulation resistance: 500MΩ/DC500V  
 机械性能/Mechanical  
 温度范围/Temp.Range: -40°C~+105°C  
 瞬间温度/MAX Soldering: +250°C, for 5 Sec

尺寸/Dimensions

间距/Pitch: 5.00mm, 5.08mm  
 极数/Poles: 2P-24P  
 材质及电镀/Material  
 塑料/Housing: PA66, UL94V-0  
 焊针/Pin header: Brass, Tin plated  
 螺母/Nut: M2.5 Brass



订购方式:  
HOW TO ORDER:



未定义/No definition	0
1.单间距/Sing pitch	1
2.双间距/Double pitch	2
灰色/Grey	10
蓝色/Blue	20
棕色/Orange	30
黑色/Black	30
绿色/Green	40
黄色/Yellow	50
红色/Red	60
透明/Transparent	70
白色/White	90

TOOLERANCES EXCEPT AS NOTED

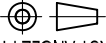
linear dimension	fillet	chamfer	short angle sid	≡	—	□	//	⊥
over 6	over 6	over 6	over 6	over 5	over 5	over 5	over 5	over 5
to 30	to 30	to 30	to 30	to 30	to 30	to 30	to 30	to 30
to 120	to 120	to 120	to 120	to 120	to 120	to 120	to 120	to 120
±0.1	±0.2	±0.3	±0.5	±1	±1	10'	20'	30'
tolerance	range	variable	tolerance	range	variable	tolerance	range	variable

Cixi Dibo Electronics Co., LTD

名称/NAME

DB2ERM-5.08-XXP-F

第一视角/FIRST ANGLE PROJECTION



## X-ON Electronics

Largest Supplier of Electrical and Electronic Components

*Click to view similar products for [Pluggable Terminal Blocks](#) category:*

*Click to view products by [DIBO](#) manufacturer:*

Other Similar products are found below :

[57.404.7553](#) [57.504.0053.7](#) [57.510.0053](#) [57.910.6153](#) [01.112.1453](#) [CTB932VE/6](#) [MC 1.5/ 6-ST-3.5 GY AU](#) [ET02015000J0G](#) [734-104](#) [734-302](#) [734-304](#) [8-141-P](#) [FKCT 2.5/ 3-ST KMGY](#) [860505](#) [860508](#) [860516](#) [860810](#) [861908](#) [GBPACX-12](#) [93.731.4953.0](#) [PV05-5,08-K](#) [PVP02-5,00](#) [PVP04-3,50](#) [PVS02-5,00](#) [1-1986160-3](#) [H-10](#) [ELFH09150](#) [ELFH16150](#) [ELFP03110](#) [ELFT06250](#) [ELFT07250](#) [ELVF09400](#) [ELVP03100](#) [ELXH03100](#) [ELXH071G0E](#) [ELXP041G0](#) [ELXT046G0](#) [1700101](#) [1700410](#) [1700425](#) [1703176](#) [1703243](#) [1705229](#) [1710175](#) [1714537](#) [1717806](#) [1719600](#) [1729386](#) [1734692](#) [1734795](#)