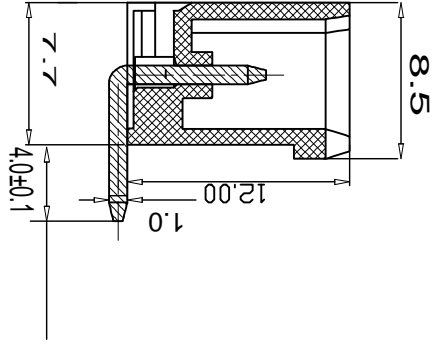
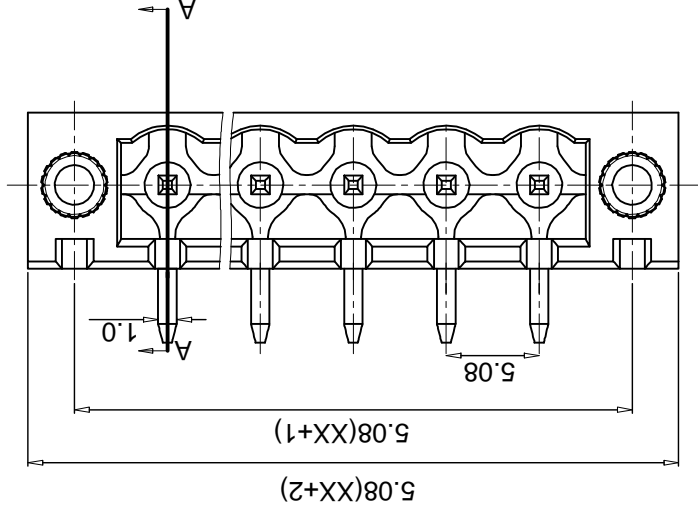


电气性能/Electrical
参考标准/Standard: UL IEC
额定电压/Rated voltage: 300V 320V
额定电流/Rated current: 15A 20A
接触电阻/Contact resistance: 20mΩ
耐电压/Withstanding voltage: AC2000V/1Min
绝缘电阻/Insulation resistance: 500MΩ/DC500V

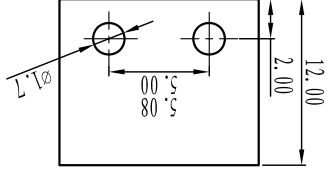
机械性能/Mechanical
温度范围/Temp.Range: -40°C~+105°C
瞬间温度/MAX Soldering: +250°C, for 5 Sec

尺寸/Dimensions
间距/Pitch: 5.00mm, 5.08mm
极数/Poles: 2P-24P

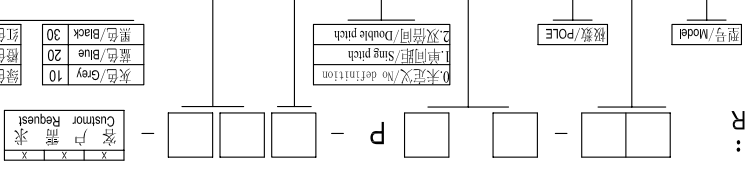
材质及电镀/Material
塑料/Housing: PA66, UL94V-0
焊针/Pin header: Brass, Tin plated
螺母/Nut: M2.5 Brass



Section: A-A



订购方式:
HOW TO ORDER:



TOOLERANCES EXCEPT AS NOTED

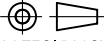
linear dimension	fillet	chamfer	short angle side	≡	—	□	//	⊥
tolerance	variable range	tolerance	variable range	tolerance	variable range	tolerance	variable range	tolerance
±0.1	±0.1	±0.1	±0.1	±0.1	±0.1	±0.1	±0.1	±0.1
±0.2	±0.2	±0.2	±0.2	±0.2	±0.2	±0.2	±0.2	±0.2
±0.3	±0.3	±0.3	±0.3	±0.3	±0.3	±0.3	±0.3	±0.3
±0.5	±0.5	±0.5	±0.5	±0.5	±0.5	±0.5	±0.5	±0.5
±0.9	±0.9	±0.9	±0.9	±0.9	±0.9	±0.9	±0.9	±0.9
±0.2	±0.2	±0.2	±0.2	±0.2	±0.2	±0.2	±0.2	±0.2
±0.5	±0.5	±0.5	±0.5	±0.5	±0.5	±0.5	±0.5	±0.5
±1	±1	±1	±1	±1	±1	±1	±1	±1
1°	1°	1°	1°	1°	1°	1°	1°	1°
30'	30'	30'	30'	30'	30'	30'	30'	30'
20'	20'	20'	20'	20'	20'	20'	20'	20'
10'	10'	10'	10'	10'	10'	10'	10'	10'
0.5	0.5	0.5	0.5	0.5	0.5	0.5	0.5	0.5
0.025	0.025	0.025	0.025	0.025	0.025	0.025	0.025	0.025
0.06	0.06	0.06	0.06	0.06	0.06	0.06	0.06	0.06
0.12	0.12	0.12	0.12	0.12	0.12	0.12	0.12	0.12
0.4	0.4	0.4	0.4	0.4	0.4	0.4	0.4	0.4

Cixi Dibo Electronics Co., LTD

名称/NAME

DB2ERM-5.08-XXP-F

第一视角/FIRST ANGLE PROJECTION



单位/UNITS mm 尺寸/SIZE A4 比例/SCALE

X-ON Electronics

Largest Supplier of Electrical and Electronic Components

Click to view similar products for [Pluggable Terminal Blocks](#) category:

Click to view products by [DIBO](#) manufacturer:

Other Similar products are found below :

[57.404.7553](#) [57.504.0053.7](#) [57.510.0053](#) [57.910.6153](#) [01.112.1453](#) [CTB932VE/6](#) [MC 1.5/ 6-ST-3.5 GY AU](#) [ET02015000J0G](#) [734-104](#) [734-302](#) [734-304](#) [8-141-P](#) [FKCT 2.5/ 3-ST KMGY](#) [860505](#) [860508](#) [860516](#) [860810](#) [861908](#) [GBPACX-12](#) [93.731.4953.0](#) [PV05-5,08-K](#) [PVP02-5,00](#) [PVP04-3,50](#) [PVS02-5,00](#) [1-1986160-3](#) [H-10](#) [ELFH09150](#) [ELFH16150](#) [ELFP03110](#) [ELFT06250](#) [ELFT07250](#) [ELVF09400](#) [ELVP03100](#) [ELXH03100](#) [ELXH071G0E](#) [ELXP041G0](#) [ELXT046G0](#) [1700101](#) [1700410](#) [1700425](#) [1703176](#) [1703243](#) [1705229](#) [1710175](#) [1714537](#) [1717806](#) [1719600](#) [1729386](#) [1734692](#) [1734795](#)