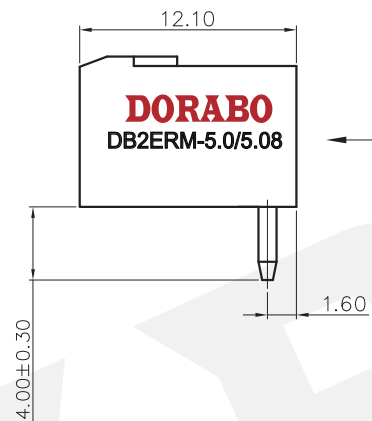
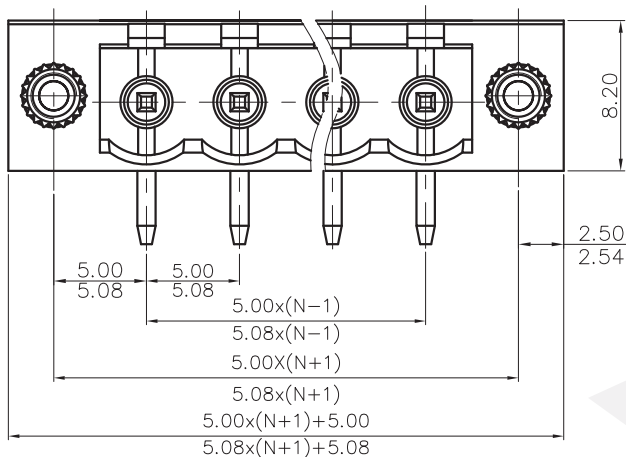
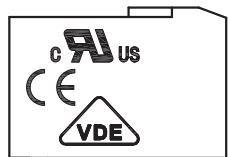


REVISION RECORD				
REV	ECN	DESCRIPTION	DRFT	DATE



NOTES1:  
 UL Standard  
 1. Rated voltage/current : 300V / 15A  
 2. Withstanding voltage : AC1600V/1Min.

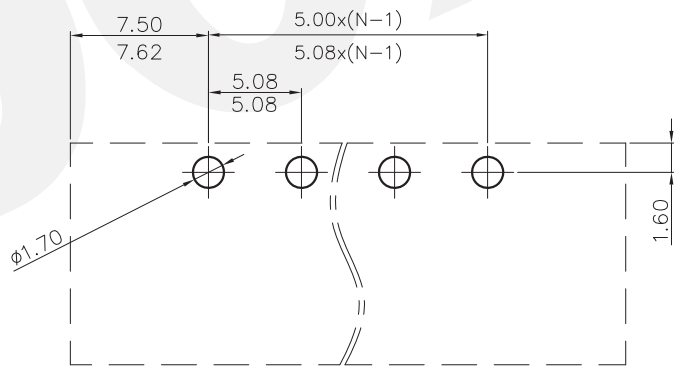
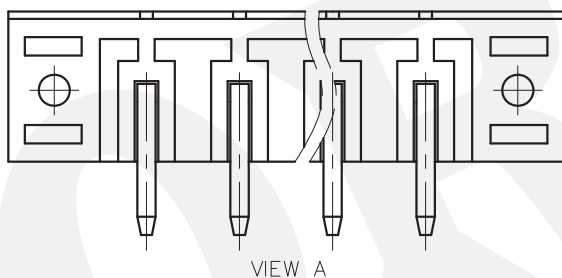
IEC Standard

1. Pollution degree	2
Overvoltage category	III
Rate impulse voltage(KV)	4.0KV
Rate voltage(V)	320V
Rate current(A)	20A

NOTES2:  
 1. Dimension shall be interpreted per ASME Y14.5-2009  
 2. Pitch : 5.0/5.08mm, Poles : N=02~22P  
 3. Operating temperature: -40°C~+105°C  
 4. Undimensioned tolerances:

Pitch range in mm	Nominal dimension range in mm	Tolerance
Over 6 TO 10	Over 30 TO 60	±0.15
Over 10 TO 24	Over 60 TO 100	±0.20
Over 24 TO 30	Over 100 TO 150	±0.30
Over 30 TO 40	Over 150 TO 200	±0.30
Over 40 TO 50	Over 200 TO 300	±0.50
Over 50 TO 60	Over 300 TO 400	±0.70
Over 60 TO 80	Over 400 TO 500	±1.00
Over 80 TO 100	Over 500 TO 600	±1.30
Over 100 TO 150	Over 600 TO 800	±2.00

5. RoHS Compliance



DB2ERM - 5.0/5.08 - XXP - 1Y - 00A (H)  
 (Series No.) (Pitch) (Poles)(Single Pitch) (Color) : 1.(Grey)  
 2. (Blue)  
 3. (Black)  
 4. (Green)  
 5. (Orange)  
 6. (Red)  
 7. (Transparent)  
 8. (Yellow)  
 9. (White)

DETACHED LISTS	PART NO.:	<b>DORABO</b> 慈溪市地博电子有限公司 CIXI DORABO ELECTRONICS CO.,LTD			
	APPD:	NAME: DB2ERM-5.0/5.08-XXP-1Y-00A(H)			
	CHKD:	TITLE: CUSTOMER DRAWING			
	DRFT:	DRAWING NO.:		REV	DO
	THIRD ANGLE PROJECTION		MM (INCH)	SHEET	1/1
DO NOT SCALE DRAWING			SCALE	1:1	

## X-ON Electronics

Largest Supplier of Electrical and Electronic Components

*Click to view similar products for [Pluggable Terminal Blocks](#) category:*

*Click to view products by [DIBO](#) manufacturer:*

Other Similar products are found below :

[57.510.0053](#) [MC 1.5/ 6-ST-3.5 GY AU](#) [ET02015000J0G](#) [734-104](#) [734-302](#) [860505](#) [860516](#) [860810](#) [GBPACX-12](#) [93.731.4953.0](#) [PV05-5,08-K](#) [PVP03-3,50](#) [PVP04-3,50](#) [PVS02-5,00](#) [1-1986160-3](#) [1377680000](#) [1531000000](#) [1546228-5](#) [ELFP03110](#) [ELFT07250](#) [ELVD12100](#) [ELVF09400](#) [ELVP03100](#) [ELXH071G0E](#) [1700410](#) [1702246](#) [1705229](#) [1714537](#) [1717806](#) [1719600](#) [1728941](#) [1734692](#) [1734795](#) [1740291](#) [1740628](#) [1746952](#) [1750207](#) [1752865](#) [1754115](#) [1754144](#) [1756913](#) [1760051](#) [1760336](#) [1765111](#) [1776388](#) [1777701](#) [1783410](#) [1800227](#) [1801080](#) [1809474](#)