

REVISION RECORD

| REV | ECN | DESCRIPTION | DRFT | DATE |
|-----|-----|-------------|------|------|
|-----|-----|-------------|------|------|

NOTES1:

- UL Standard
- 1. Rated voltage/current : 300V / 15A
- 2. Withstanding voltage : AC1600V/1Min.

IEC Standard

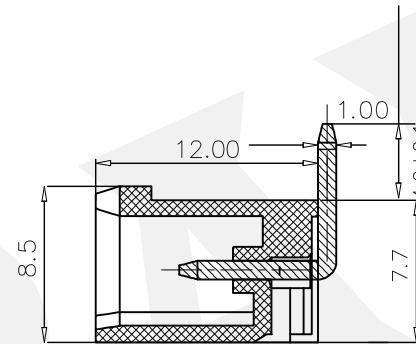
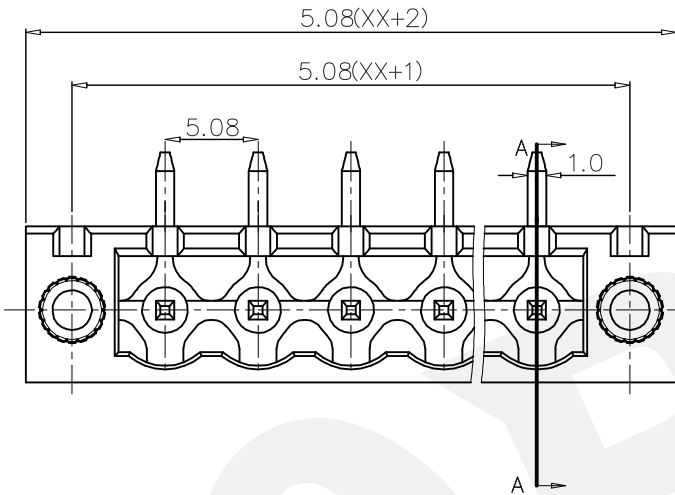
| | |
|--------------------------|-------|
| 1. Pollution degree | 2 |
| Overtoltage category | III |
| Rate impulse voltage(KV) | 4.0KV |
| Rate voltage(V) | 320V |
| Rate current(A) | 20A |

NOTES2:

- 1. Dimension shall be interpreted per ASME Y14.5-2009
- 2. Pitch : 5.0/5.08mm, Poles : N=02~22P
- 3. Operating temperature: -40°C~+105°C
- 4. Undimensioned tolerances:

| Pitch range in mm | | Nominal dimension range in mm | | | | | |
|-------------------|---------|-------------------------------|---------|---------|---------|--------|--|
| TO | Over TO | TO | Over TO | Over TO | Over TO | 0.1/10 | |
| 6 | 10 | 30 | 60 | 100 | 150 | < | |
| ±0.15 | ±0.20 | ±0.30 | ±0.30 | ±0.50 | ±0.70 | ±2' | |

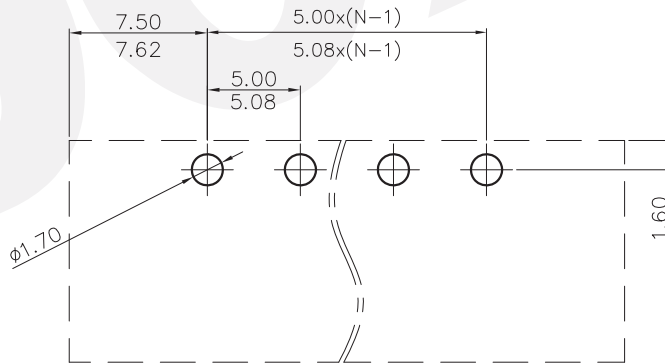
- 5. RoHS Compliance



DB2ERMF - 5.0/5.08 - XXP - 1Y - 00A (H)

(Series No.) (Pitch) (Poles)(Single Pitch) (Color) : 1. (Grey)
 2. (Blue)
 3. (Black)
 4. (Green)
 5. (Orange)
 6. (Red)
 7. (Transparent)
 8. (Yellow)
 9. (White)

(RoHS)
 00A- (Standard)



PCB LAYOUT

| | | | | | |
|----------------|-----------|--|--|--------------------------------------|-----|
| DETACHED LISTS | PART NO.: | / | | | |
| | APPD: | / | | | |
| | CHKD: | / | | | |
| | DRFT: | / | | | |
| | | DORABO 慈溪市地博电子有限公司 CIXI DORABO ELECTRONICS CO.,LTD | | NAME: DB2ERMF-5.0/5.08-XXP-1Y-00A(H) | |
| | | TITLE: CUSTOMER DRAWING | | REV | DO |
| | | DRAWING NO.: | | SHEET | 1/1 |
| | | MM (INCH) | | SCALE | 1:1 |
| | | DO NOT SCALE DRAWING | | | |

THIRD ANGLE PROJECTION

DO NOT SCALE DRAWING

SCALE 1:1

X-ON Electronics

Largest Supplier of Electrical and Electronic Components

Click to view similar products for [Pluggable Terminal Blocks](#) category:

Click to view products by [DIBO](#) manufacturer:

Other Similar products are found below :

[57.510.0053](#) [MC 1.5/ 6-ST-3.5 GY AU](#) [ET02015000J0G](#) [734-104](#) [734-302](#) [860505](#) [860516](#) [860810](#) [GBPACX-12](#) [93.731.4953.0](#) [PV05-5,08-K](#) [PVP03-3,50](#) [PVP04-3,50](#) [PVS02-5,00](#) [1-1986160-3](#) [1377680000](#) [1531000000](#) [1546228-5](#) [ELFP03110](#) [ELFT07250](#) [ELVD12100](#) [ELVF09400](#) [ELVP03100](#) [ELXH071G0E](#) [1700410](#) [1702246](#) [1705229](#) [1714537](#) [1717806](#) [1719600](#) [1728941](#) [1734692](#) [1734795](#) [1740291](#) [1740628](#) [1746952](#) [1750207](#) [1752865](#) [1754115](#) [1754144](#) [1756913](#) [1760051](#) [1760336](#) [1765111](#) [1776388](#) [1777701](#) [1783410](#) [1800227](#) [1801080](#) [1809474](#)