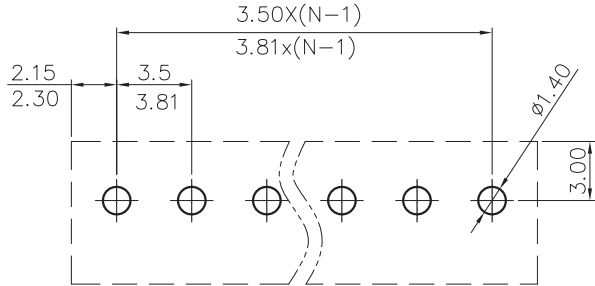
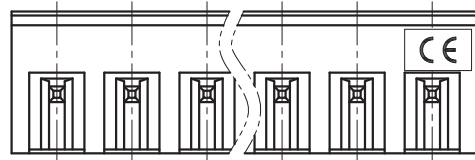


REVISION RECORD				
REV	ECN	DESCRIPTION	DRFT	DATE



NOTES1:
 UL Standard
 1. Rated voltage/current : 300V / 8A
 2. Withstanding voltage : AC1600V/1Min.

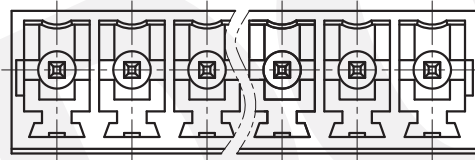
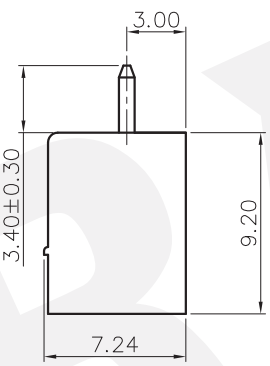
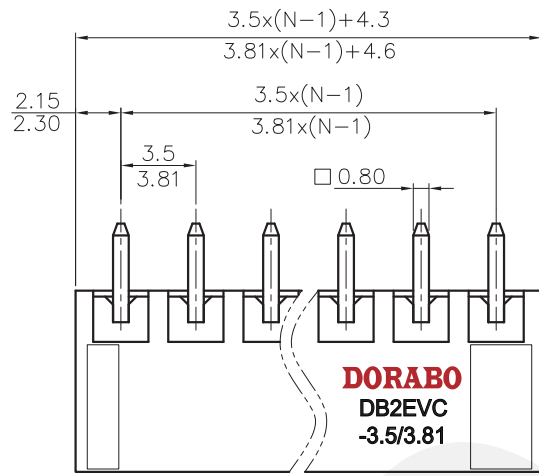
IEC Standard

1. Pollution Degree	2
Overvoltage Category	II
Rate Impulse Voltage(KV)	2.5KV
Rate Voltage(V)	250V
Rate Current(A)	7A

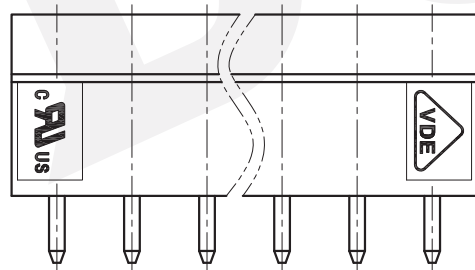
NOTES2:
 1. Dimension shall be interpreted per ASME Y14.5-2009
 2. Pitch : 3.5/3.81mm, Poles : N=02~24P
 3. Operating temperature: -40°C~+105°C
 4. Undimensioned tolerances:

Pitch range in mm		Nominal dimension range in mm				-	∩	∇
TO	Over TO	Over TO	TO	Over TO	Over TO	Over TO	0.1/10	
6	10	24	30	60	100	150	<	
±0.15	±0.20	±0.30	±0.30	±0.50	±0.70	±1.00	±1.30	±2'

5. RoHS Compliance



DB2EVC - 3.5/3.81 - XXP - 1Y - 00A (H)
 (Series No.) (Pitch) (Poles) (Single Pitch) (Color): 1.(Grey)
 2.(Blue)
 3.(Black)
 4.(Green)
 5.(Orange)
 6.(Red)
 7.(Transparent)
 8.(Yellow)
 9.(White)



DETACHED LISTS	PART NO.:	/			
	APPD:	/			
	CHKD:	/			
	DRFT:	/			
	THIRD ANGLE PROJECTION		DRAWING NO.:		/
		NAME:		DORABO 慈溪市地博电子有限公司 CIXI DORABO ELECTRONICS CO.,LTD	
		TITLE:		CUSTOMER DRAWING	
		DO NOT SCALE DRAWING		REV	DO
		SCALE		SHEET	1/1
		SCALE		1:1	

X-ON Electronics

Largest Supplier of Electrical and Electronic Components

Click to view similar products for [Aluminium Electrolytic Capacitors - Screw Terminal](#) category:

Click to view products by [DIBO](#) manufacturer:

Other Similar products are found below :

[M39018/06-0158M](#) [A331FH221M500A](#) [A331LH223M063A](#) [A331PM682M200A](#) [FAS220250AA](#) [36DA222F450CC2A](#) [32D502F075CD2B](#)
[36D552G040AC2A](#) [36DA183F016AN2A](#) [36DA183F035AB2A](#) [36DA223F025BA2A](#) [36DA563F050BF2A](#) [Y6426-201V-2527300](#)
[36DA152F400BC2AEA](#) [ETOR401CTH902QEG8N](#) [M39018/04-2145M](#) [36DA683F025BL2A](#) [M39018/06-0139M](#) [A331PM472M250A](#)
[E74D400HPN173TCE3M](#) [500X822U450DG1B](#) [HV101761T250BA2A](#) [A331LH683M025A](#) [A331LM333M063A](#) [A331TW682M500A](#)
[500332U050BB2B](#) [ALS31B1003NX](#) [3186EC422U100APA1](#) [HES352T325X5L](#) [B43584S2828M2](#) [E32D3B1HPN222MD79U](#)
[E36D800HLN104MEE3U](#) [MAL210158103E3](#) [MAL210253472E3](#) [B41458B7479M000](#) [B43713A4158M000](#) [B43742A4189M000](#)
[B43742A5278M000](#) [B43742A6188M000](#) [B43742B5158M000](#) [B43742B6688M000](#) [CGS402T200U4C](#) [ALS80A272MF500](#)
[B43464A9688M000](#) [LFB10000/100](#) [520C562P400DF2H](#) [3186GJ503M125DPA2](#) [WR228M2WT95O5](#) [WR479M1JT1LO5](#)
[500C562T350DD2B](#)