



Cixi Dibo Electronics Co.,LTD

产品规格书
product specification

电气性能/Electrical

参考标准/Standard: UL IEC
额定电压/Rated voltage: 300V 250V
额定电流/Rated current: 8A 10A
接触电阻/Contact resistance: $20m\Omega$
耐电压/Withstanding voltage: AC2000V/1Min

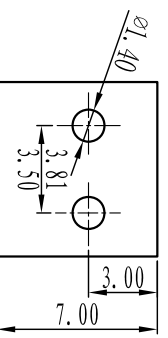
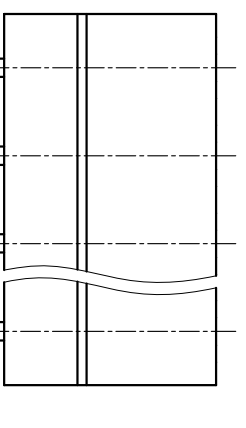
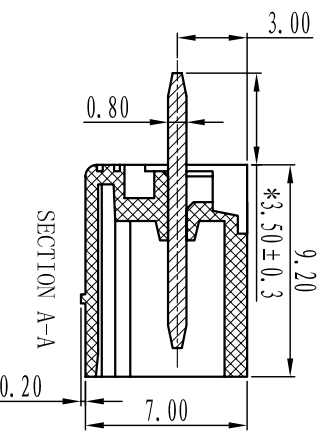
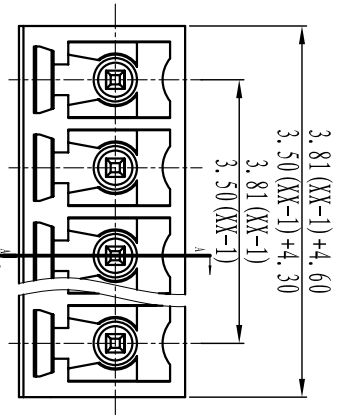
绝缘电阻/Insulation resistance: $500M\Omega$ /DC500V

机械性能/Mechanical

温度范围/Temp.Range: $-40^{\circ}C^{+}+105^{\circ}C$
瞬间温度/MAX Soldering: $+250^{\circ}C$, for 5 Sec

尺寸/Dimensions

间距/Pitch: 3.81mm/3.50mm
极数/Poles: 2P-24P
材料及电镀/Material
塑件/Housing: PA66, UL94V-0
焊针/Pin header: Brass, Tin plated

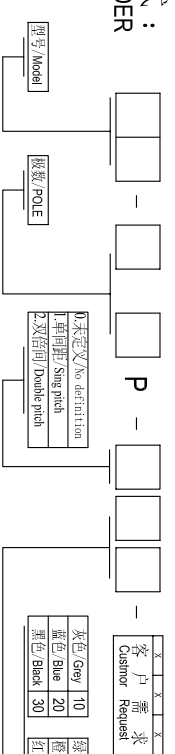


TOLERANCES EXCEPT AS NOTED

	linear dimension	fillet	chamfer	short angle sid	fillet	chamfer	short angle sid
variable range	over 6 to 30	over 30 to 120	over 120 to 480	all	to 6	over 6 to 10	over 10 to 30'
tolerance	± 0.1	± 0.2	± 0.3	± 0.5	± 0.9	± 0.2	± 0.5

	±1	1°	±1	1°	0.5	10'	0.5	10'
	over 5	to 5	over 5	to 5	0.025	0.06	0.12	0.4

订购方式:
HOW TO ORDER



颜色/Color	数字/Number	颜色/Color	数字/Number	颜色/Color	数字/Number
灰色/Grey	10	绿色/Green	40	透明/Transparent	70
蓝色/Blue	20	棕色/Orange	50	黄色/Yellow	80
黑色/Black	30	红色/Red	60	白色/White	90

单位/UNITS	mm	尺寸/SIZE	A4	比例/SCALE	第一视角/FIRST ANGLE PROJECTION
----------	----	---------	----	----------	-----------------------------

Cixi Dibo Electronics Co.,LTD
名称/NAME: DB2EVC-3.81/3.5

X-ON Electronics

Largest Supplier of Electrical and Electronic Components

Click to view similar products for [Pluggable Terminal Blocks](#) category:

Click to view products by [DIBO](#) manufacturer:

Other Similar products are found below :

[57.404.7553](#) [57.504.0053.7](#) [57.510.0053](#) [57.910.6153](#) [01.112.1453](#) [CTB932VE/6](#) [MC 1.5/ 6-ST-3.5 GY AU](#) [ET02015000J0G](#) [734-104](#) [734-302](#) [734-304](#) [8-141-P](#) [FKCT 2.5/ 3-ST KMGY](#) [860505](#) [860508](#) [860516](#) [860810](#) [861908](#) [GBPACX-12](#) [93.731.4953.0](#) [PV05-5,08-K](#) [PVP02-5,00](#) [PVP04-3,50](#) [PVS02-5,00](#) [1-1986160-3](#) [H-10](#) [1546228-5](#) [ELFH09150](#) [ELFH16150](#) [ELFP03110](#) [ELFT06250](#) [ELFT07250](#) [ELVF09400](#) [ELVP03100](#) [ELXH03100](#) [ELXH071G0E](#) [ELXP041G0](#) [ELXT046G0](#) [1700101](#) [1700410](#) [1700425](#) [1703176](#) [1703243](#) [1705229](#) [1710175](#) [1714537](#) [1717806](#) [1719600](#) [1728941](#) [1729386](#)