

# DORABO® Cixi Dibo Electronics Co., LTD

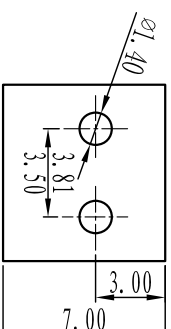
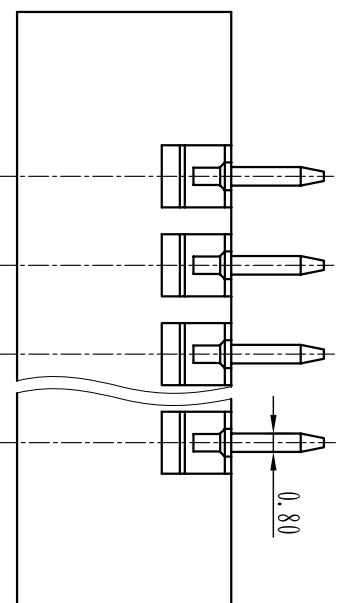
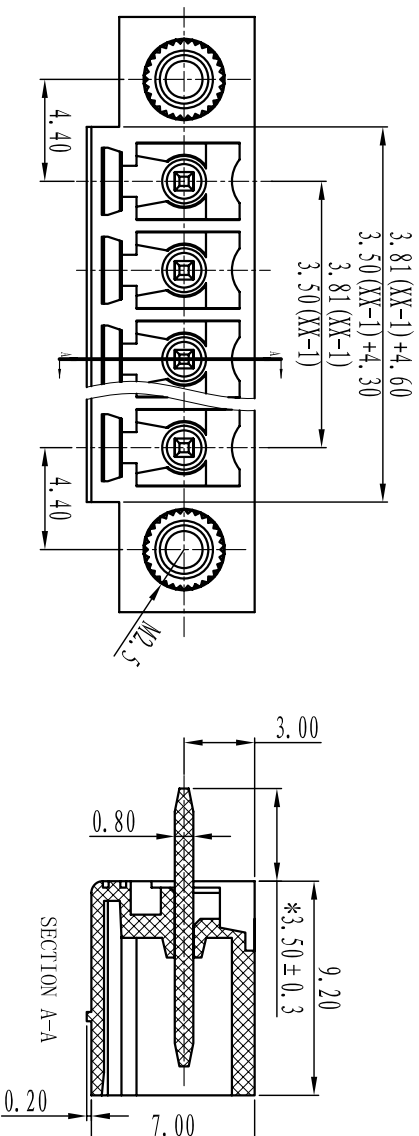
产品规格书  
product specification

## 电气性能/Electrical

参考标准/Standard: UL IEC  
 额定电压/Rated voltage: 300V 250V  
 额定电流/Rated current: 8A 10A  
 接触电阻/Contact resistance: 20mΩ  
 耐电压/Withstanding voltage: AC2000V/1Min  
 绝缘电阻/Insulation resistance: 500MΩ/DC500V  
 机械性能/Mechanical  
 温度范围/Temp.Range: -40°C~+105°C  
 瞬间温度/MAX Soldering: +250°C, for 5 Sec

## 尺寸/Dimensions

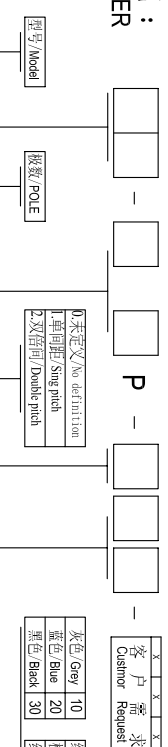
间距/Pitch: 3.81mm/3.50mm  
 极数/Poles: 2P-24P  
 材质及电镀/Material  
 螺母/Nut: M2.5, Brass  
 焊针/Pin header: Brass, Tin plated  
 塑件/Housing: PA66, UL94V-0



## TOLERANCES EXCEPT AS NOTED

	linear dimension	fillet	chamfer	short angle sid	≡	—	∕	⊥
variable range	over 6 to 6 over 30 to 30 over 120 to 120 over 480 to 480	all to 6	over 6 to 6	over 10 to 10 over 50 to 50 over 120 to 120	all to 5	over 5 to 5 over 30 to 30 over 120 to 120	over 5 to 5 over 30 to 30 over 120 to 120	over 120 to 120
tolerance	±0.1 to ±0.2 ±0.3 to ±0.3 ±0.5 to ±0.5 ±0.9 to ±0.9	±0.2 to ±0.5	±1 to ±1	1° to 30° 20° to 10°	0.5 to 0.025 0.06 to 0.12	0.12 to 0.4		

## 订购方式: HOW TO ORDER



Cixi Dibo Electronics Co., LTD

名称/NAME

DB2EVM-3.5 3.81

第一视角/FIRST ANGLE PROJECTION



单位/UNITS mm 尺寸/SIZE A4 比例/SCALE

## X-ON Electronics

Largest Supplier of Electrical and Electronic Components

*Click to view similar products for [Pluggable Terminal Blocks](#) category:*

*Click to view products by [DIBO](#) manufacturer:*

Other Similar products are found below :

[57.404.7553](#) [57.504.0053.7](#) [57.510.0053](#) [57.910.6153](#) [01.112.1453](#) [CTB932VE/6](#) [MC 1.5/ 6-ST-3.5 GY AU](#) [ET02015000J0G](#) [734-104](#) [734-302](#) [734-304](#) [8-141-P](#) [FKCT 2.5/ 3-ST KMGY](#) [860505](#) [860508](#) [860516](#) [860810](#) [861908](#) [GBPACX-12](#) [93.731.4953.0](#) [PV05-5,08-K](#) [PVP02-5,00](#) [PVP04-3,50](#) [PVS02-5,00](#) [1-1986160-3](#) [H-10](#) [ELFH09150](#) [ELFH16150](#) [ELFP03110](#) [ELFT06250](#) [ELFT07250](#) [ELVF09400](#) [ELVP03100](#) [ELXH03100](#) [ELXH071G0E](#) [ELXP041G0](#) [ELXT046G0](#) [1700101](#) [1700410](#) [1700425](#) [1703176](#) [1703243](#) [1705229](#) [1710175](#) [1714537](#) [1717806](#) [1719600](#) [1729386](#) [1734692](#) [1734795](#)