

DORABO[®] Cixi Dibo Electronics Co., LTD

产品规格书
product specification

电气性能/Electrical

参考标准/Standard: UL IEC
 额定电压/Rated voltage: 300V 320V
 额定电流/Rated current: 15A 20A
 接触电阻/Contact resistance: 20m Ω

耐电压/Withstanding voltage: AC2000V/1Min

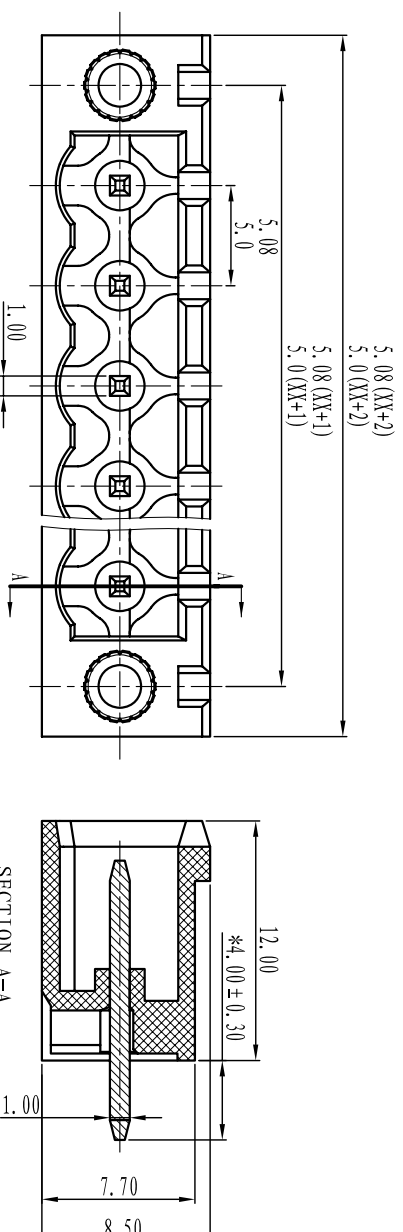
绝缘电阻/Insulation resistance: 500M Ω /DC5000V

机械性能/Mechanical

温度范围/Temp. Range: -40 $^{\circ}$ C~+105 $^{\circ}$ C
 瞬间温度/MAX Soldering: +250 $^{\circ}$ C, for 5 Sec

尺寸/Dimensions

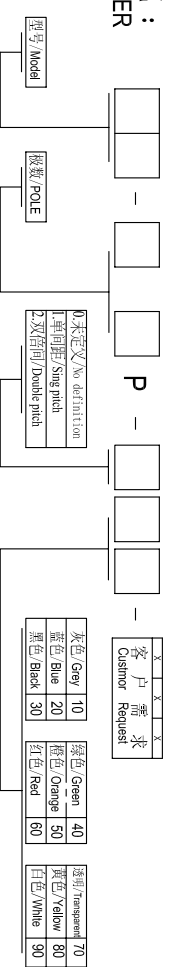
间距/Pitch: 5.00mm, 5.08mm
 极数/Poles: 2P-24P
 材料及电镀/Material
 塑件/Housing: PA66, UL94V-0
 焊针/Pin header: Brass, Tin plated
 螺母/Nut: M2.5 Brass



TOLERANCES EXCEPT AS NOTED

| | linear dimension | fillet | chamfer | short angle sid | | | | | |
|----------------|------------------|----------------|-----------------|-----------------|--------------|-------------|------------------------------|--------------------------------|--------------------------------|
| variable range | over 6 to 6 | over 30 to 120 | over 480 to 480 | over 480 to 480 | all | over 6 to 6 | over 6 to 6 | over 10 to 10 | over 50 to 50 |
| tolerance | ±0.1 to ±0.2 | ±0.2 to ±0.3 | ±0.5 to ±0.9 | ±0.2 to ±0.9 | ±0.2 to ±0.5 | ±1 to ±1 | 1 $^{\circ}$ to 1 $^{\circ}$ | 30 $^{\circ}$ to 30 $^{\circ}$ | 20 $^{\circ}$ to 10 $^{\circ}$ |

订购方式: HOW TO ORDER



单位/UNITS mm 尺寸/SIZE A4 比例/SCALE

Cixi Dibo Electronics Co., LTD

名称/NAME DB2EVM-5.0/5.08

第一视角/FIRST ANGLE PROJECTION

X-ON Electronics

Largest Supplier of Electrical and Electronic Components

Click to view similar products for [Pluggable Terminal Blocks](#) category:

Click to view products by [DIBO](#) manufacturer:

Other Similar products are found below :

[57.404.7553](#) [57.504.0053.7](#) [57.510.0053](#) [57.910.6153](#) [01.112.1453](#) [CTB932VE/6](#) [MC 1.5/ 6-ST-3.5 GY AU](#) [ET02015000J0G](#) [734-104](#) [734-302](#) [734-304](#) [8-141-P](#) [FKCT 2.5/ 3-ST KMGY](#) [860505](#) [860508](#) [860516](#) [860810](#) [861908](#) [GBPACX-12](#) [93.731.4953.0](#) [PV05-5,08-K](#) [PVP02-5,00](#) [PVP04-3,50](#) [PVS02-5,00](#) [1-1986160-3](#) [H-10](#) [ELFH09150](#) [ELFH16150](#) [ELFP03110](#) [ELFT06250](#) [ELFT07250](#) [ELVF09400](#) [ELVP03100](#) [ELXH03100](#) [ELXH071G0E](#) [ELXP041G0](#) [ELXT046G0](#) [1700101](#) [1700410](#) [1700425](#) [1703176](#) [1703243](#) [1705229](#) [1710175](#) [1714537](#) [1717806](#) [1719600](#) [1729386](#) [1734692](#) [1734795](#)