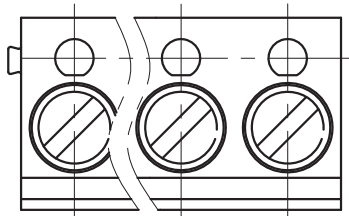


REVISION RECORD				
REV	ECN	DESCRIPTION	DRFT	DATE

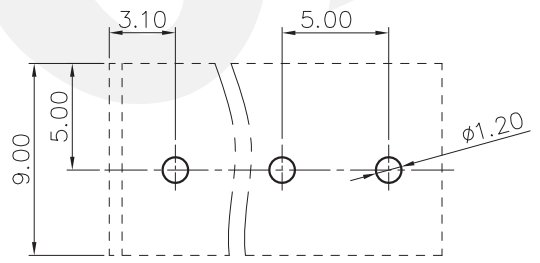
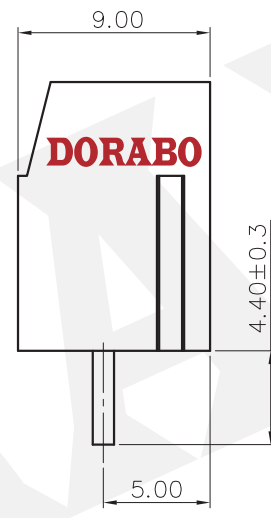
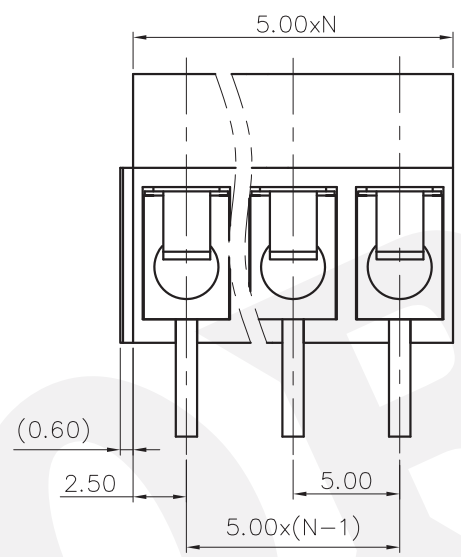
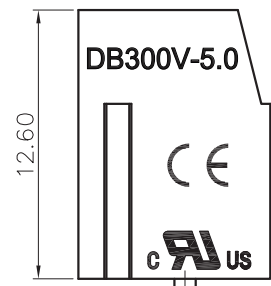


NOTES1:  
 UL Standard  
 1.Rated Voltage/Current : 300V / 10A  
 2.Torque Value : M3 , 2.6Lb.in  
 3.Wire Range : 22~14AWG  
 IEC Standard  
 1.Rated Voltage/Current : 250V / 24A  
 2.Torque Value : M3 , 0.29N.m  
 3.Wire Range : 2.5mm<sup>2</sup>

NOTES2:  
 1.Dimension shall be interpreted per ASME Y14.5-2009  
 2.Pitch : 5.0mm, Poles : N=02~24P  
 3.Stripping length : 5~6mm  
 4.Withstanding Voltage : AC2000V/1Min.  
 5.Operating temperature: -30°C~+120°C  
 6.Undimensioned Tolerances:

Pitch Range In mm		Nominal Dimension Range In mm					
TO	Over TO	TO	Over TO	TO	Over TO	TO	Over TO
6	10	30	60	100	150	0.1/10	
6	10	24	30	60	100	150	<
±0.15	±0.20	±0.30	±0.30	±0.50	±0.70	±1.00	±1.30
							±2'

7.RoHS Compliance



DB300V- 5.0 - XXP - 1Y - 00A (H)  
 (Series No.) (Pitch) (Poles) (Single Pitch) (Color):1.(Grey)  
 2.(Blue)  
 3.(Black)  
 4.(Green)  
 5.(Orange)  
 6.(Red)  
 7.(Transparent)  
 8.(Yellow)  
 9.(White)

DETACHED LISTS	PART NO.:	/			
	APPD:	/			
	CHKD:	/			
	DRFT:	/			
	THIRD ANGLE PROJECTION	/			
	NAME:		DORABO 慈溪市地博电子有限公司 CIXI DORABO ELECTRONICS CO.,LTD		
	TITLE:		CUSTOMER DRAWING		
	DRAWING NO.:		/		
	DO NOT SCALE DRAWING		REV	DO	
	SCALE		SHEET	1/1	
	SCALE		SCALE	1:1	

## X-ON Electronics

Largest Supplier of Electrical and Electronic Components

*Click to view similar products for [Fixed Terminal Blocks](#) category:*

*Click to view products by [DIBO](#) manufacturer:*

Other Similar products are found below :

[MBE-1512](#) [MBE-1520](#) [MBE-156](#) [MBES-156](#) [MH-2512](#) [MHE-132](#) [MHE-163](#) [MI-254 \(35\)](#) [MI-272](#) [MPT-275](#) [ELM10110G](#) [BA311TU](#)  
[BA411SU](#) [MV-253/NCNOC](#) [MV-254-D](#) [MV-255](#) [MV-493](#) [MVE-252](#) [MVE-253](#) [MVE-273](#) [MVEB-153](#) [1700096](#) [1705142](#) [1712417](#)  
[1713088](#) [1745195](#) [1760594](#) [1-796689-8](#) [1-796692-6](#) [1800114](#) [20020314-C121B01LF](#) [20020316-G041B01LF](#) [CB2-12](#) [KP03215000J0G](#)  
[KP04215000J0G](#) [S451](#) [29.007](#) [29.116](#) [30.103](#) [30.106](#) [30.503](#) [30.608](#) [30.755](#) [30.756](#) [30.853](#) [9872-0-00-15-00-00-33-0](#) [996750](#) [1706303](#)  
[1710052](#) [1712418](#)