

REVISION RECORD			
REV	ECN	DESCRIPTION	DATE

NOTE1:
 UL Standard
 1.Rated voltage/current : 300V / 7A
 2.Torque Value : M2, 1.77Lb.in
 3.Wire range : 24~18AWG

IEC Standard
 1.Rated voltage/current : 130V / 10A
 2.Torque Value : M2, 0.2N.m
 3.Wire range : 0.5~1.0mm²

NOTE2:

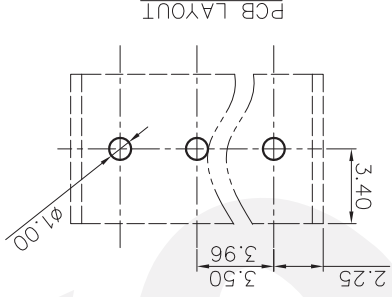
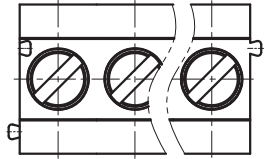
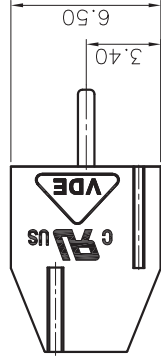
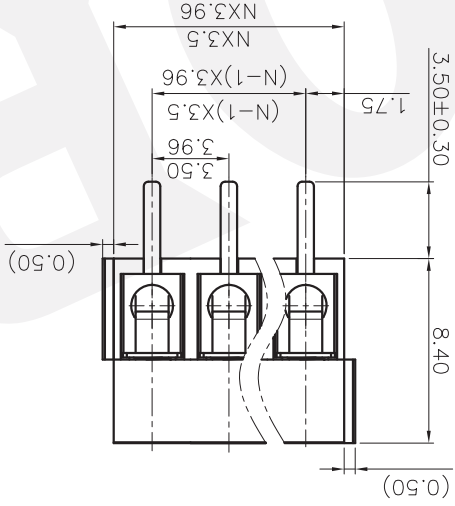
1.Dimension shall be interpreted per ASME Y14.5-2009

2.Pitch : 3.5/3.96mm, Poles : N=02~24P
 3.Stripping length : 5mm
 4.Withstanding voltage : AC1250V/1Min
 5.Operating temperature: -40°C~+105°C
 6.Undimensioned tolerances:

Pitch range in mm	Nominal dimension range in mm	Over	Under
0.1/10	150	100	150
0.1/10	100	60	100
0.1/10	60	30	60
Over	Over	30	30
Over	Over	10	10
Over	Over	6	6
±0.15	±0.30	±0.20	±0.30
±0.15	±0.30	±0.20	±0.30

7.RoHS Compliance

DB301V - 3.5/3.96 - 1Y - 00A (H)
 (RoHS)
 00A-(Standard)
 (Series No.) (Pitch) (Poles) (Single Pitch) (Color):1.(Grey)
 2.(Blue)
 3.(Black)
 4.(Green)
 5.(Orange)
 6.(Red)
 7.(Transparent)
 8.(Yellow)
 9.(White)



PART NO.:	/	
	CIXI DORABO ELECTRONICS CO.,LTD	
NAME:	DB301V-3.5/3.96-XXP-1Y-00A(H)	
APPD:	/	
CHKD:	/	
DRFT:	/	
TITLE:	CUSTOMER DRAWING	
REV	DO	
SHEET	1/1	
SCALE	1:1	
DO NOT SCALE DRAWING	1	

THIRD ANGLE PROJECTION



MM (INCH)

2

1

DETACHED LISTS

1

2

3

4

5

6

7

8

A

B

C

D

E

F

G

H

X-ON Electronics

Largest Supplier of Electrical and Electronic Components

Click to view similar products for [Aluminium Electrolytic Capacitors - Screw Terminal](#) category:

Click to view products by [DIBO](#) manufacturer:

Other Similar products are found below :

[A331FH221M500A](#) [A331FB472M063A](#) [A331FD153M040A](#) [A331FD682M063A](#) [A331LH223M063A](#) [A331PM682M200A](#)
[36DA332F350CD2A](#) [ETOR401CTH902QEG8N](#) [C1808N680J302T](#) [A331PM472M250A](#) [500X822U450DG1B](#) [A331LH683M025A](#)
[A331LM333M063A](#) [A331TW682M500A](#) [500332U050BB2B](#) [ALS31B1003NX](#) [E32D600LPN133TDA5M](#) [550152M200BC2B](#)
[36DX253G075DC2A](#) [101C282U063AK2A](#) [DB301V-3.5-3P-GN](#) [DB301V-3.5-2P-GN](#) [WR479M1JT1LO5](#) [OBJ35](#) [OBJ35A](#)
[WL338M2WU1AD6](#) [WL 10000U/100V](#) [WL 4700U/200V](#) [B43310A5109M000](#) [B43310C9228M000](#) [B43310A9828M000](#)
[GT1H109M35060SB](#) [GT1H229M35100SB](#) [GT1J229M35120SB](#) [GT2A229M51100SB](#) [GT2W227M35060SB](#) [GT2W228M64120SB](#)
[WR229M1JS80O5](#) [WR188M2WS1MO5](#) [WL158M2WS1AO5](#) [WR478M2WU1PD6](#) [2738](#) [ALS30A151DB500](#) [ALS30A152KF350](#)
[ALS30A682DF100](#) [ALS31A103DE063](#) [ALS40A223DB025](#) [ALS40A223KF063](#) [ALS40A472DF100](#) [ALS40A473DF025](#)