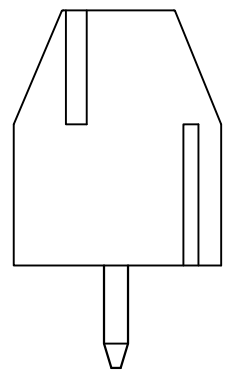
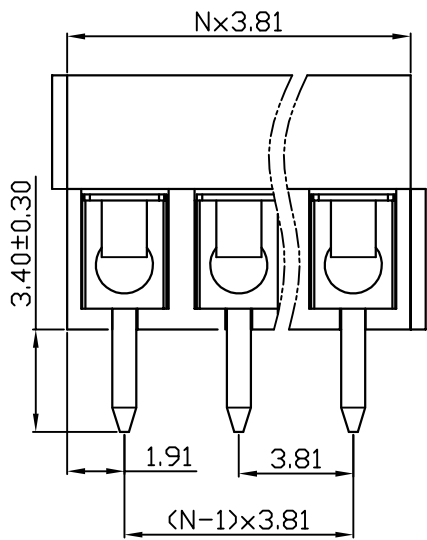
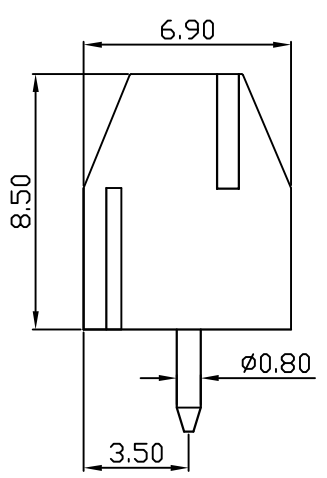
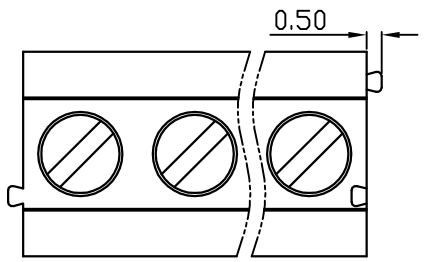
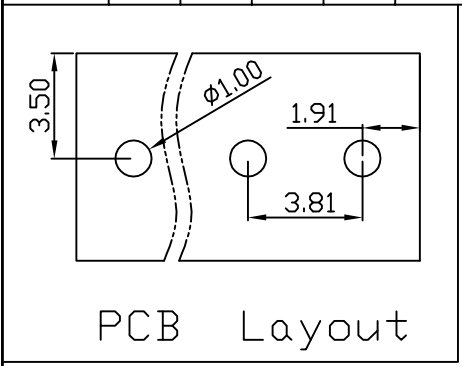


linear dimension(Tolerances Standard GB/T 14486-2008)								—	∇	\perp
variable range	to	over 6	over 10	over 30	over 60	over 100	over 160	to	over 10	over 100
	6	to 10	to 30	to 60	to 100	to 160	to	to 10	to 100	to
tolerance	±0.20	±0.30	±0.50	±0.70	±1.00	±1.30	±1.60	0.10	0.30	0.60



UL/CUL 技术参数		UL/CUL Technical Data		
等级	Use Group	B	C	D
额定电压	Rated Voltage [V]	300	-	-
额定电流	Rated Current [A]	7	-	-
接线范围	Wire Range	24-18		
单/多芯线	Solid/Stranded [AWG]			
耐电压	Withstanding Voltage	1600V/1Min		
IEC 技术参数		IEC Technical Data		
过电压类别	Overvoltage Category	III	III	II
污染等级	Contamination Class	3	2	2
额定电压	Rated Voltage [V]	160	250	400
额定电流	Rated Current [A]	10	10	10
额定冲击电压	Impulse withstand voltage [KV]	2.5	2.5	2.5
导线截面积	Conductor cross section	1.0		
硬质/柔性导线	Solid/flexible [mm ²]			
材料		Material		
绝缘材料	Insulation Material	PA66		
阻燃等级	Imflammability	UL94V-0		
导体材料	Contact Material	铜合金 Copper alloy		
导体表面镀层	Contactive Coating	镀锡 Sn Plated		
一般参数		Other Data		
间距	Pitch [mm]	3.81		
极数	Poles [P]	02-24		
剥线长度	Stripping Length [mm]	4-5		
螺丝	Screw/扭矩 Torque(Max) [N.m]	M2/0.2		
工作温度	Operating temperatur [°C]	-40~+105		
引针尺寸	Pin Dimensions [mm]	Ø0.80		
PCB板孔径	PCB Hole Diameter [mm]	1.00		

DB301V — 3.81 — XXP — C — S/P

(Series No.) (Pitch) (Poles)

(Color) : 1.(Green) 2.(Black) 3.(Blue) 4.(Clear) 5.(Gray)
6.(Orange) 7.(Red) 8.(White) 9.(Yellow)

Slotted/Phillips

APPD: J Ting Chen 2022.4.17
CHKD: Duck Mao 2022.4.17
DRFT: Steven Lu 2022.4.17

DORABO 宁波地博电气有限公司
Ningbo Dorabo Electric CO., Ltd

NAME: DB301V-3.81-XXP-C-S

\oplus \triangleleft	SIZE: A4	mm (inch)	REV	TO-1
TYPE: CUSTOMER_DRAWING	SCALE: 1:1	SHEET	1/1	

X-ON Electronics

Largest Supplier of Electrical and Electronic Components

Click to view similar products for [Fixed Terminal Blocks](#) category:

Click to view products by [DIBO](#) manufacturer:

Other Similar products are found below :

[MBE-1512](#) [MBE-1520](#) [MBE-154](#) [MBE-156](#) [MBES-156](#) [MH-2512](#) [MHE-132](#) [MHE-163](#) [MI-254 \(35\)](#) [MI-272](#) [MPT-275](#) [ELM10110G](#)
[BA311TU](#) [BA411SU](#) [MV-253/NCNOC](#) [MV-254-D](#) [MV-255](#) [MV-493](#) [MVE-252](#) [MVE-253](#) [MVE-273](#) [MVEB-153](#) [1700096](#) [1705142](#)
[1712417](#) [1713088](#) [1745195](#) [1760594](#) [1-796689-8](#) [1-796692-6](#) [1800114](#) [20020314-C121B01LF](#) [20020316-G041B01LF](#) [KP03215000J0G](#)
[KP04215000J0G](#) [S451](#) [29.007](#) [29.116](#) [30.103](#) [30.106](#) [30.503](#) [30.608](#) [30.755](#) [30.756](#) [30.853](#) [9872-0-00-15-00-00-33-0](#) [996750](#) [1706303](#)
[1710052](#) [1712418](#)