

电气性能/Electrical

参考标准/Standard: UL IEC

额定电压/Rated voltage: 300V 450V

额定电流/Rated current: 10A 17.5A

使用线径/Wire range: 22-16AWG 1.5mm²

耐电压/Withstanding voltage: AC2000V/1Min

绝缘电阻/Insulation resistance: 500M Ω /DC500V

机械性能/Mechanical

温度范围/Temp.Range: -40°C~+105°C

最大锁紧力矩/Max.Torque: 0.5Nm (4.5lb. in)

尺寸/Dimensions

间距/Pitch: 7.62mm

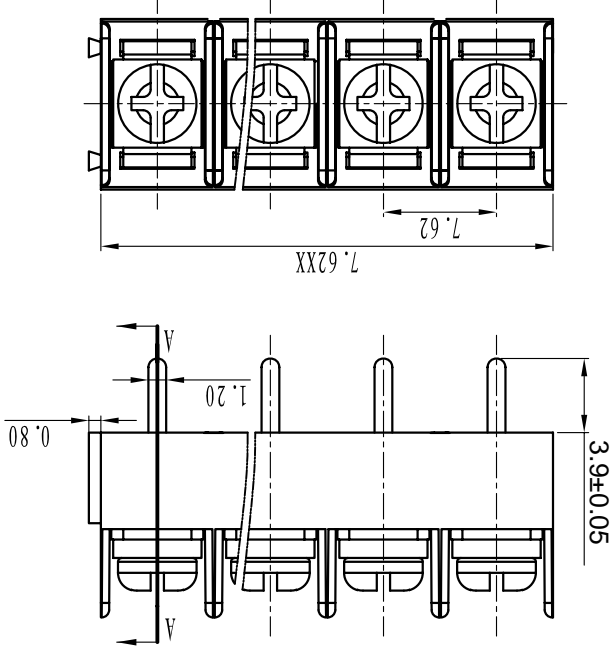
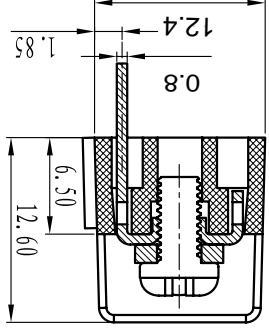
极数/Poles: 2P-XXP

材质及电镀/Material

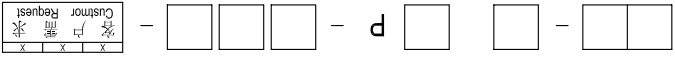
塑件/Housing: PA66, UL94V-0

螺丝/Screws: M3, steel Ni plated

焊脚/Pin header: Brass, 0.8t, Tin plated



订购方式:
HOW TO ORDER:



型号/Model	极数/POLE	0.未定义/No definition 1.单间距/Single pitch 2.双间距/Double pitch
灰色/Grey 10	灰色/Grey 10	灰色/Grey 10
蓝色/Blue 20	蓝色/Blue 20	蓝色/Blue 20
黑色/Black 30	黑色/Black 30	黑色/Black 30
红色/Red 60	红色/Red 30	红色/Red 30
白色/White 90	白色/White 30	白色/White 30
透明/Transparent 70	黄色/Yellow 80	黄色/Yellow 80
	绿色/Green 40	绿色/Green 40
	橙色/Orange 50	橙色/Orange 50

客户需求	Customer Request
X	X
X	X
X	X

TOLERANCES EXCEPT AS NOTED

Linear dimension	fillet	chamfer	short angle side	≡	—	□	//	L
tolerance	±0.1	±0.2	±0.3	±0.5	±0.9	±0.2	±0.5	±1
Variable range	to 6	to 30	to 30	to 6	to 480	to 6	to 10	to 10
over	over 6	over 30	over 30	over 6	over 480	over 6	over 10	over 10
to	to 6	to 30	to 30	to 6	to 480	to 6	to 10	to 10
tolerance	±0.1	±0.2	±0.3	±0.5	±0.9	±0.2	±0.5	±1

Cixi Dibo Electronics Co., LTD

名称/NAME DBT10-7.62-XXP



第一视角/FIRST ANGLE PROJECTION

单位/UNITS mm 尺寸/SIZE A4 比例/SCALE

X-ON Electronics

Largest Supplier of Electrical and Electronic Components

Click to view similar products for [Barrier Terminal Blocks](#) category:

Click to view products by [DIBO](#) manufacturer:

Other Similar products are found below :

[CTA-0103](#) [6PCR-02-008](#) [6PCR-05-008](#) [6PCR-08-008](#) [6PCR-21-006](#) [6PCV-06-008](#) [6PCV-10-009](#) [6PCV-15-008](#) [6STR-06-006](#) [6STR-08-006](#) [6STR-12-008](#) [6STR-14-008](#) [6STR-16-008](#) [6STR-17-008](#) [6STR-21-008](#) [6STR-25-008](#) [6STR-27-008](#) [6STV-03-006](#) [6STV-03-008](#) [6STV-04-006](#) [6STV-10-006](#) [6WWR-03](#) [6WWV-11-008](#) [6WWV-12-008](#) [6WWV-16-008](#) [7-1546701-0](#) [72212603](#) [72503-C](#) [73203](#) [76007](#) [7606-602LF](#) [77010-50](#) [796985-3](#) [796988-4](#) [7C1N08](#) [8-1437402-5](#) [8-1437402-7](#) [8-1546158-0](#) [870505](#) [870903](#) [8PCR-06-006](#) [8PCV-02-008](#) [8PCV-04-008](#) [8PCV-05-008](#) [8PCV-09-006](#) [8PCV-15-006](#) [8PCV-16-006](#) [8PCV-17-006](#) [8QCR-03-008](#) [8STV-04-006](#)