

电气性能/Electrical

参考标准/Standard: UL IEC
 额定电压/Rated voltage: 300V 450V
 额定电流/Rated current: 10A 17.5A
 使用线径/Wire range: 22-16AWG 1.5mm²
 耐电压/Withstanding voltage: AC2000V/1Min
 绝缘电阻/Insulation resistance: 500M Ω /DC500V

机械性能/Mechanical

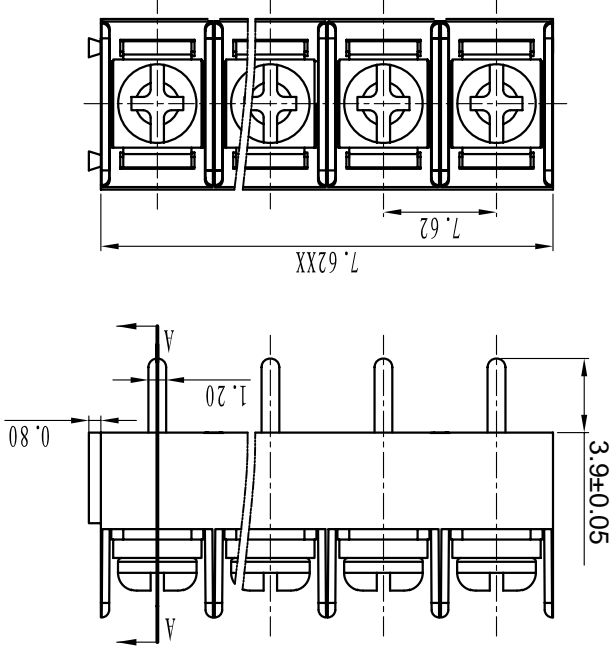
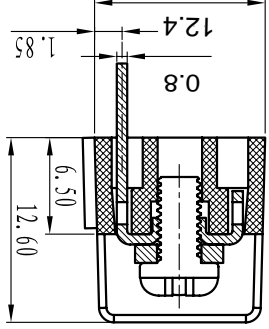
温度范围/Temp.Range: -40 $^{\circ}$ C~+105 $^{\circ}$ C
 最大锁紧力矩/Max.Torque: 0.5Nm (4.5lb. in)

尺寸/Dimensions

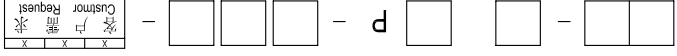
间距/Pitch: 7.62mm
 极数/Poles: 2P-XXP

材质及电镀/Material

塑件/Housing: PA66, UL94V-0
 螺丝/Screws: M3, steel Ni plated
 焊脚/Pin header: Brass, 0.8t, Tin plated



订购方式:
HOW TO ORDER:



型号/Model	极数/POLE	0.未定义/No definition 1.单间距/Single pitch 2.双间距/Double pitch
灰色/Grey 10	灰色/Grey 10	灰色/Grey 10
蓝色/Blue 20	蓝色/Blue 20	蓝色/Blue 20
黑色/Black 30	黑色/Black 30	黑色/Black 30
红色/Red 60	红色/Red 30	红色/Red 30
白色/White 90	白色/White 30	白色/White 30
透明/Transparent 70	黄色/Yellow 80	黄色/Yellow 80
	橙色/Orange 50	橙色/Orange 50
	绿色/Green 40	绿色/Green 40

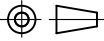
TOLERANCES EXCEPT AS NOTED

Linear dimension	fillet	chamfer	short angle side	≡	—	□	//	L
tolerance	to	to	to	to	to	to	to	to
±0.1	±0.2	±0.3	±0.5	±1	±1	1 $^{\circ}$	30'	20'
6	30	30	480	6	6	10	50	120
to	to	to	to	to	to	to	to	to
over	over	over	over	over	over	over	over	over
±0.1	±0.2	±0.3	±0.5	±0.9	±0.2	±0.5	±1	10'
6	30	30	480	6	6	10	50	120
to	to	to	to	to	to	to	to	to
over	over	over	over	over	over	over	over	over
0.4	0.12	0.06	0.025	0.5	0.5	10'	20'	30'
to	to	to	to	to	to	to	to	to
over	over	over	over	over	over	over	over	over

Cixi Dibo Electronics Co., LTD

名称/NAME

DBT10-7.62-XXP



第一视角/FIRST ANGLE PROJECTION

单位/UNITS mm 尺寸/SIZE A4 比例/SCALE

X-ON Electronics

Largest Supplier of Electrical and Electronic Components

Click to view similar products for [Barrier Terminal Blocks](#) category:

Click to view products by [DIBO](#) manufacturer:

Other Similar products are found below :

[CTA-0103](#) [6PCR-02-008](#) [6PCR-05-008](#) [6PCR-08-008](#) [6PCR-21-006](#) [6PCV-06-008](#) [6PCV-10-009](#) [6PCV-15-008](#) [6STR-06-006](#) [6STR-08-006](#) [6STR-12-008](#) [6STR-14-008](#) [6STR-16-008](#) [6STR-17-008](#) [6STR-21-008](#) [6STR-25-008](#) [6STR-27-008](#) [6STV-03-006](#) [6STV-03-008](#) [6STV-04-006](#) [6STV-10-006](#) [6WWR-03](#) [6WWV-11-008](#) [6WWV-12-008](#) [6WWV-16-008](#) [7-1546701-0](#) [72212603](#) [72503-C](#) [73203](#) [76007](#) [7606-602LF](#) [77010-50](#) [796985-3](#) [796988-4](#) [7C1N08](#) [8-1437402-5](#) [8-1437402-7](#) [8-1546158-0](#) [870505](#) [870903](#) [8PCR-06-006](#) [8PCV-02-008](#) [8PCV-04-008](#) [8PCV-05-008](#) [8PCV-09-006](#) [8PCV-15-006](#) [8PCV-16-006](#) [8PCV-17-006](#) [8QCR-03-008](#) [8STV-04-006](#)