

REVISION RECORD				
REV	ECN	DESCRIPTION	DRFT	DATE
1				

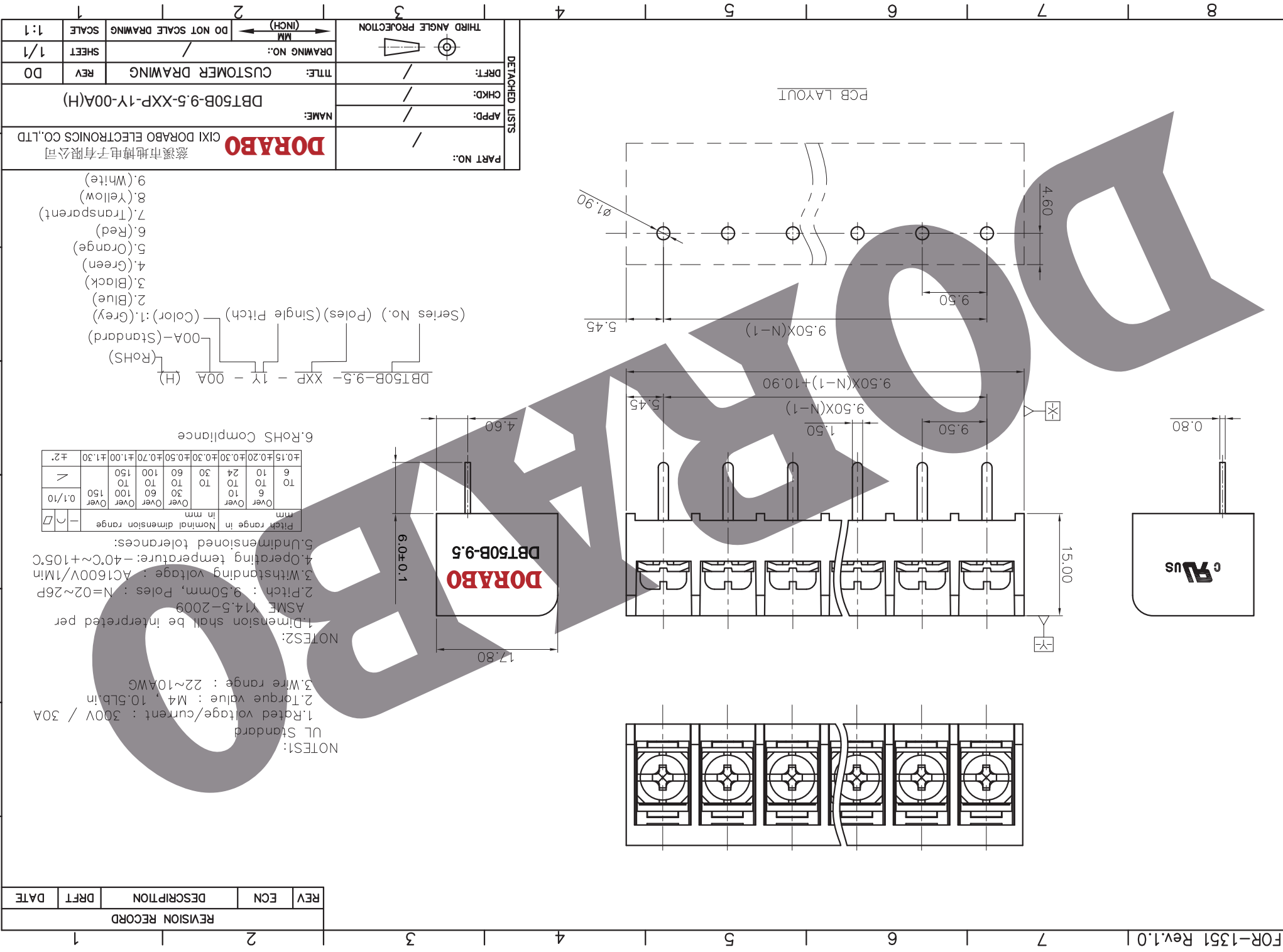
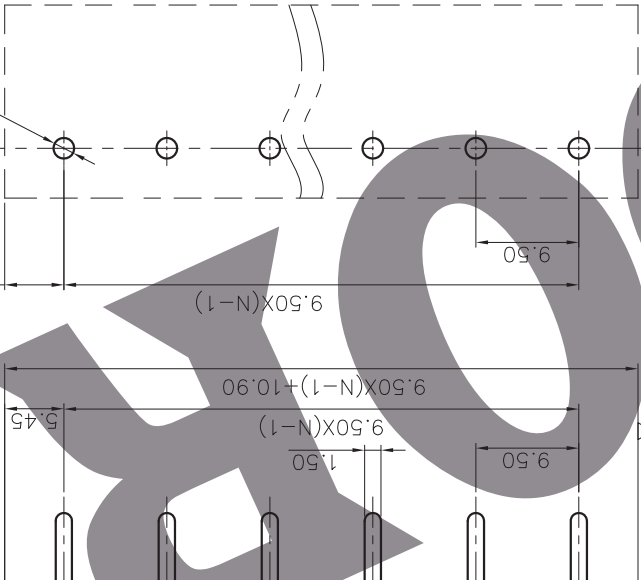
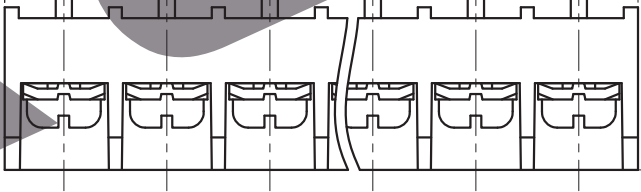
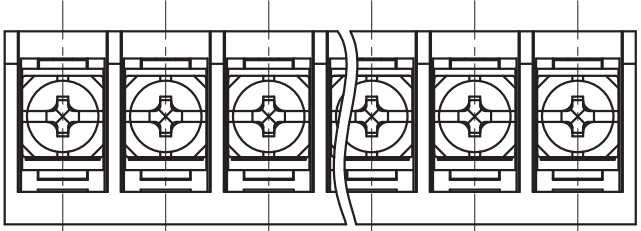
NOTES1:
 1. Rated voltage/current : 300V / 30A
 2. Torque value : M4, 10.5Lb.in
 3. Wire range : 22~10AWG

NOTES2:
 1. Dimension shall be interpreted per ASME Y14.5-2009
 2. Pitch : 9.50mm, Poles : N=02~26
 3. Withstanding voltage : AC1600V/1min
 4. Operating temperature : -40°C~+105°C
 5. Undimensioned tolerances :

Pitch range in mm		Nominal dimension range	
mm	mm	mm	mm
Over	Over	Over	Over
10	10	30	150
6	6	10	150
TO	TO	10	150
10	10	30	150
6	6	10	150
±0.15	±0.20	±0.30	±1.00
±0.10	±0.15	±0.20	±0.70
±0.05	±0.10	±0.15	±0.50

DBT50B-9.5-XXP - 1Y - 00A (H)
 (Series No.) (Poles) (Single Pitch) (Color):1.(Grey)
 2.(Blue)
 3.(Black)
 4.(Green)
 5.(Orange)
 6.(Red)
 7.(Transparent)
 8.(Yellow)
 9.(White)
 (Rohs)
 00A-(Standard)

PART NO.:	
NAME:	DORABO CIXI DORABO ELECTRONICS CO.,LTD
APPD:	
CHKD:	
DRFT:	
TITLE:	CUSTOMER DRAWING
REV	D0
SHEET	1/1
SCALE	1:1
DO NOT SCALE DRAWING	
THIRD ANGLE PROJECTION	
DRAWING NO.:	
MM (INCH)	



X-ON Electronics

Largest Supplier of Electrical and Electronic Components

Click to view similar products for [Aluminium Electrolytic Capacitors - Screw Terminal](#) category:

Click to view products by [DIBO](#) manufacturer:

Other Similar products are found below :

[A331FH221M500A](#) [A331FB472M063A](#) [A331FD153M040A](#) [A331FD682M063A](#) [A331LH223M063A](#) [A331PM682M200A](#)
[36DA332F350CD2A](#) [ETOR401CTH902QEG8N](#) [C1808N680J302T](#) [A331PM472M250A](#) [500X822U450DG1B](#) [A331LH683M025A](#)
[A331LM333M063A](#) [A331TW682M500A](#) [500332U050BB2B](#) [ALS31B1003NX](#) [E32D600LPN133TDA5M](#) [550152M200BC2B](#)
[36DX253G075DC2A](#) [101C282U063AK2A](#) [DB301V-3.5-3P-GN](#) [DB301V-3.5-2P-GN](#) [WR479M1JT1LO5](#) [OBJ35](#) [OBJ35A](#)
[WL338M2WU1AD6](#) [WL 10000U/100V](#) [WL 4700U/200V](#) [B43310A5109M000](#) [B43310C9228M000](#) [B43310A9828M000](#)
[GT1H109M35060SB](#) [GT1H229M35100SB](#) [GT1J229M35120SB](#) [GT2A229M51100SB](#) [GT2W227M35060SB](#) [GT2W228M64120SB](#)
[WR229M1JS80O5](#) [WR188M2WS1MO5](#) [WL158M2WS1AO5](#) [WR478M2WU1PD6](#) [2738](#) [ALS30A151DB500](#) [ALS30A152KF350](#)
[ALS30A682DF100](#) [ALS31A103DE063](#) [ALS40A223DB025](#) [ALS40A223KF063](#) [ALS40A472DF100](#) [ALS40A473DF025](#)