

REVISION RECORD			
REV	ECN	DESCRIPTION	DATE

**NOTES:**  
 1. Rated voltage/current : 300V / 20A  
 2. Torque value : M3 , 4.3Lb.in  
 3. Wire range : 22~12AWG  
**UL Standard**  
 1. Dimension shall be interpreted per ASME Y14.5-2009  
 2. Pitch : 7.62mm, Poles : N=02~22P  
 3. Withstanding voltage : AC1600V/1M.in  
 4. Operating temperature : -40°C~+105°C  
 5. Undimensioned tolerances:  

Pitch Range in Nominal Dimension Range	mm	In mm
Over	0.15	0.006
Over	0.20	0.008
Over	0.30	0.012
Over	0.50	0.020
Over	1.00	0.040
Over	1.50	0.060
Over	2.00	0.080
Over	3.00	0.120
Over	4.00	0.160
Over	6.00	0.240
Over	10.00	0.400
Over	15.00	0.600
Over	20.00	0.800
Over	30.00	1.200
Over	50.00	2.000
Over	100.00	4.000
Over	150.00	6.000

 6. RoHS Compliance

**NOTE2:**  
 1. Dimension shall be interpreted per ASME Y14.5-2009  
 2. Pitch : 7.62mm, Poles : N=02~22P  
 3. Withstanding voltage : AC1600V/1M.in  
 4. Operating temperature : -40°C~+105°C  
 5. Undimensioned tolerances:  

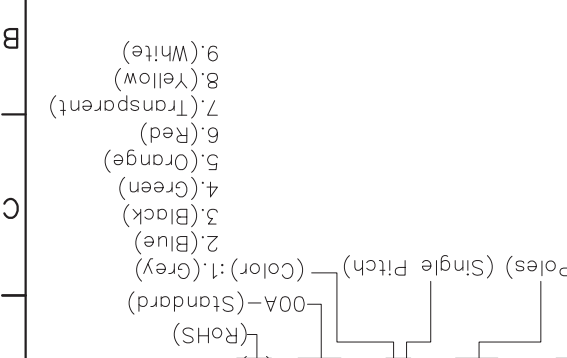
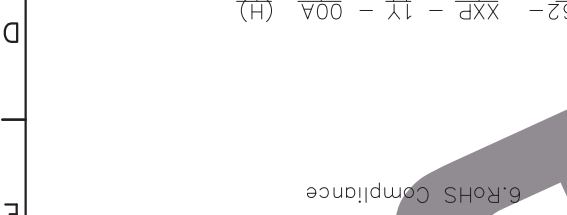
Pitch Range in Nominal Dimension Range	mm	In mm
Over	0.15	0.006
Over	0.20	0.008
Over	0.30	0.012
Over	0.50	0.020
Over	1.00	0.040
Over	1.50	0.060
Over	2.00	0.080
Over	3.00	0.120
Over	4.00	0.160
Over	6.00	0.240
Over	10.00	0.400
Over	15.00	0.600
Over	20.00	0.800
Over	30.00	1.200
Over	50.00	2.000
Over	100.00	4.000
Over	150.00	6.000

 6. RoHS Compliance

DBT50G-7.62-XXP-1Y-00A (H)

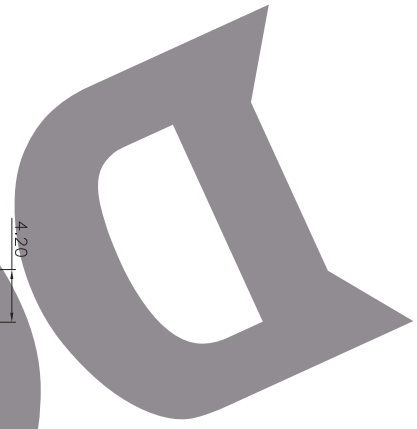
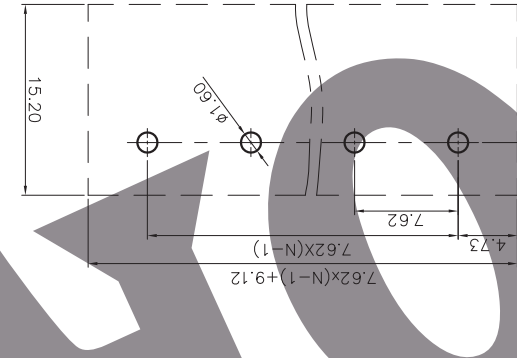
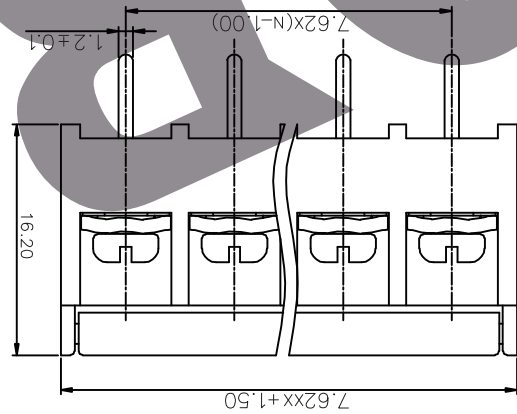
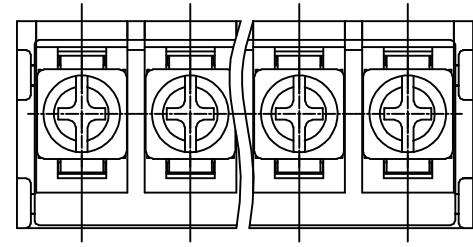
(Series No.) (Poles) (Single Pitch) (Color): 1. (Grey)  
 2. (Blue)  
 3. (Black)  
 4. (Green)  
 5. (Orange)  
 6. (Red)  
 7. (Transparent)  
 8. (Yellow)  
 9. (White)

00A-Standard (ROHS)



<b>DETACHED LISTS</b>	<b>THIRD ANGLE PROJECTION</b>	<b>DO NOT SCALE DRAWING</b>	<b>SCALE</b>	<b>1:1</b>
<b>PART NO.:</b>	<b>DRAWING NO.:</b>	<b>DRFT:</b>	<b>TITLE:</b>	<b>NAME:</b>
			CUSTOMER DRAWING	DORABO
				CIXI DORABO ELECTRONICS CO.,LTD

A  
B  
C  
D  
E  
F  
G  
H



A  
B  
C  
D  
E  
F  
G  
H

## X-ON Electronics

Largest Supplier of Electrical and Electronic Components

*Click to view similar products for [Barrier Terminal Blocks](#) category:*

*Click to view products by [DIBO](#) manufacturer:*

Other Similar products are found below :

[CTA-0103](#) [6PCR-02-008](#) [6PCR-05-008](#) [6PCR-08-008](#) [6PCR-21-006](#) [6PCV-06-008](#) [6PCV-10-009](#) [6PCV-15-008](#) [6STR-06-006](#) [6STR-08-006](#) [6STR-12-008](#) [6STR-14-008](#) [6STR-16-008](#) [6STR-17-008](#) [6STR-21-008](#) [6STR-25-008](#) [6STR-27-008](#) [6STV-03-006](#) [6STV-03-008](#) [6STV-04-006](#) [6STV-10-006](#) [6WWR-03](#) [6WWV-11-008](#) [6WWV-12-008](#) [6WWV-16-008](#) [7-1546701-0](#) [72212603](#) [72503-C](#) [73203](#) [76007](#) [7606-602LF](#) [77010-50](#) [796985-3](#) [796988-4](#) [7C1N08](#) [8-1437402-5](#) [8-1437402-7](#) [8-1546158-0](#) [870505](#) [870903](#) [8PCR-06-006](#) [8PCV-02-008](#) [8PCV-04-008](#) [8PCV-05-008](#) [8PCV-09-006](#) [8PCV-15-006](#) [8PCV-16-006](#) [8PCV-17-006](#) [8QCR-03-008](#) [8STV-04-006](#)